



US00D413783S

United States Patent [19]
Huang

[11] **Patent Number: Des. 413,783**
[45] **Date of Patent: ** Sep. 14, 1999**

- [54] **KNIFE**
- [76] Inventor: **Yin Han Huang**, P.O. Box 63-99,
Taichung, Taiwan
- [**] Term: **14 Years**
- [21] Appl. No.: **29/086,774**
- [22] Filed: **Apr. 17, 1998**
- [51] **LOC (6) Cl.** **08-03**
- [52] **U.S. Cl.** **D8/99**
- [58] **Field of Search** D8/98, 99, 107;
30/162, 320, 329, 335, 337

- D. 336,029 6/1993 Ragland et al. D8/99
- D. 349,227 8/1994 Ragland et al. D8/99
- D. 352,881 11/1994 Schmidt D8/99
- D. 400,774 11/1998 Ghavami D8/99

Primary Examiner—Philip S. Hyder

[57] **CLAIM**

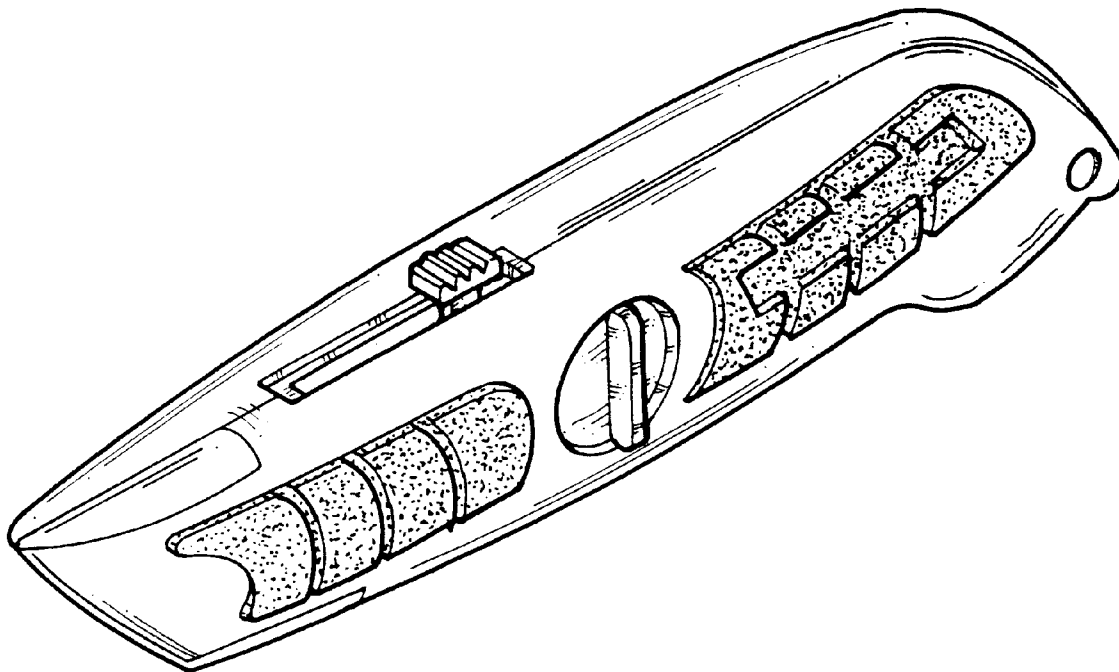
The ornamental design for a knife, as shown and described.

DESCRIPTION

FIG. 1 is a perspective view of a knife showing my new design;
 FIG. 2 is a front elevational view thereof;
 FIG. 3 is a rear elevational view thereof;
 FIG. 4 is a top plan view thereof;
 FIG. 5 is a bottom plan view thereof;
 FIG. 6 is a left side elevational view thereof; and,
 FIG. 7 is a right side elevational view thereof.

- [56] **References Cited**
- U.S. PATENT DOCUMENTS**
- D. 290,333 6/1987 Pahley D8/99
- D. 296,297 6/1988 Wiemann et al. D8/99
- D. 310,474 9/1990 Bartsch et al. D8/99
- D. 319,378 8/1991 Wilcox D8/99

1 Claim, 2 Drawing Sheets



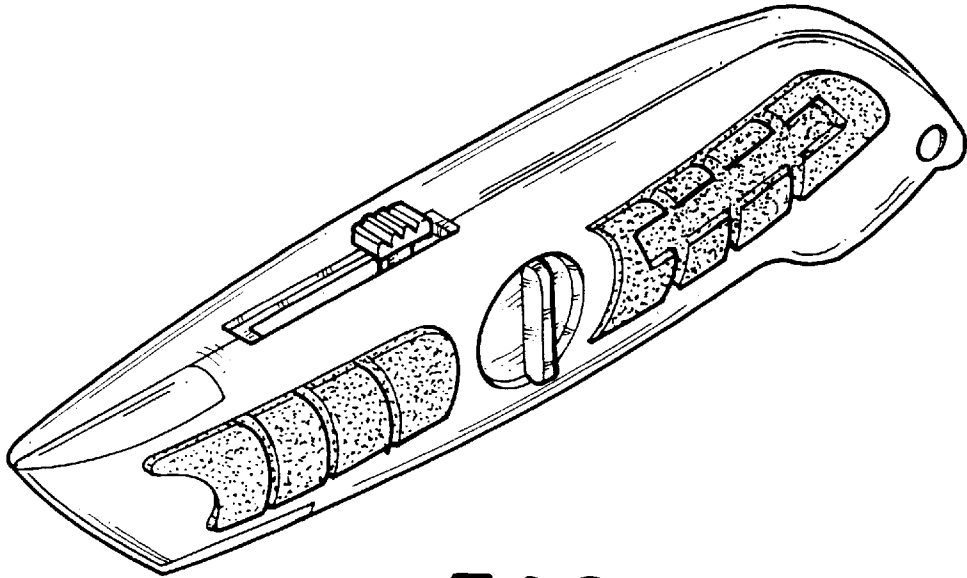


FIG. 1

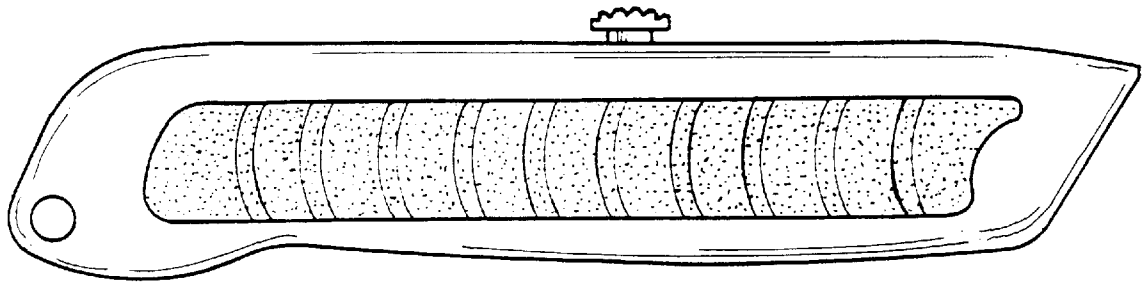


FIG. 3

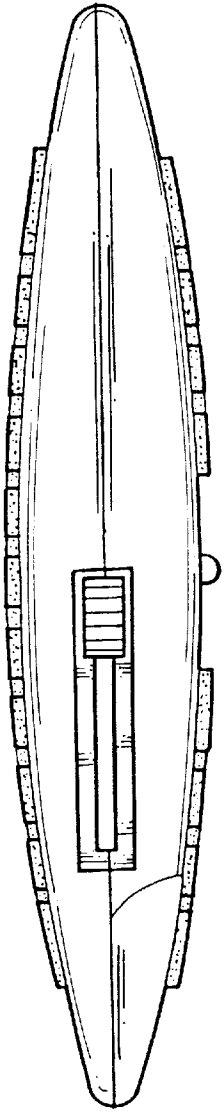


FIG. 4

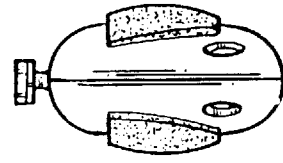


FIG. 7

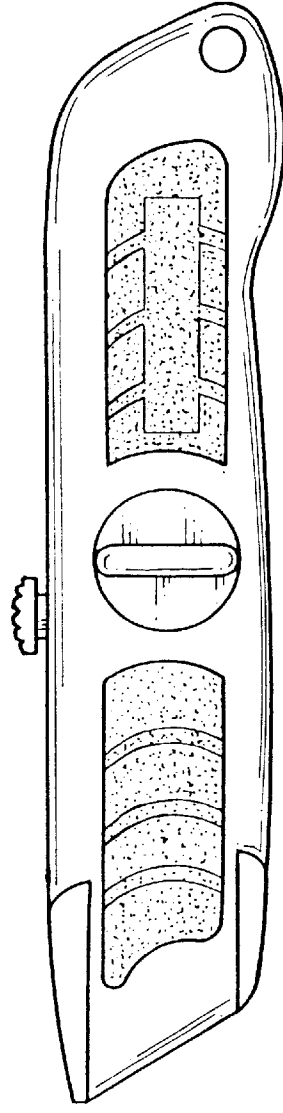


FIG. 2

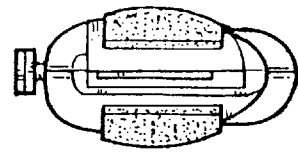


FIG. 6

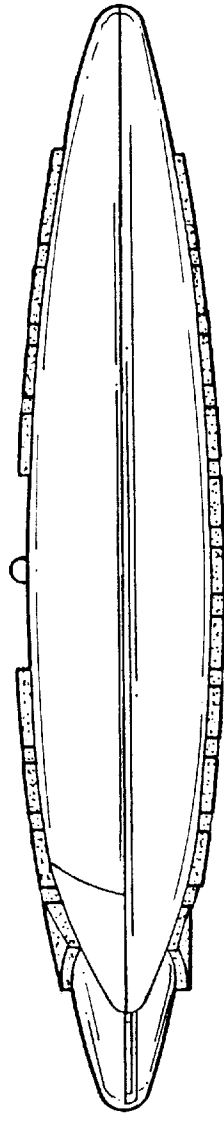


FIG. 5