



US00D351020S

United States Patent [19]

[11] Patent Number: Des. 351,020

Arnold

[45] Date of Patent: ** Sep. 27, 1994

[54] COMBINED CEILING FAN AND LIGHT FIXTURE

Attorney, Agent, or Firm—Heiskell, Donelson, Bearman, Adams, Williams & Caldwell

[75] Inventor: **Anthony K. Arnold**, Germantown, Tenn.

[57] CLAIM

The ornamental design for a combined ceiling fan and light fixture, as shown and described.

[73] Assignee: **Hunter Fan Company**, Memphis, Tenn.

DESCRIPTION

[**] Term: **14 Years**

FIG. 1 is a bottom perspective view of the combined ceiling fan and light fixture showing my new design with the light fixture removed;

[21] Appl. No.: **11,218**

FIG. 2 is a top plan view of the combined ceiling fan and light fixture taken along line 2—2 of FIG. 4, on a reduced scale;

[22] Filed: **Jul. 30, 1993**

[52] U.S. Cl. **D23/377; D23/379; D23/385**

FIG. 3 is a bottom plan view of FIG. 1 on a reduced scale;

[58] **Field of Search** **392/364, 361, 362; 416/5; 362/96, 294; D23/377, 379, 385, 411, 413; D26/72, 59, 51, 81-86, 88**

FIG. 4 is a side elevational view of FIG. 1, the other sides being substantially identical except for the pull cord;

[56] References Cited

U.S. PATENT DOCUMENTS

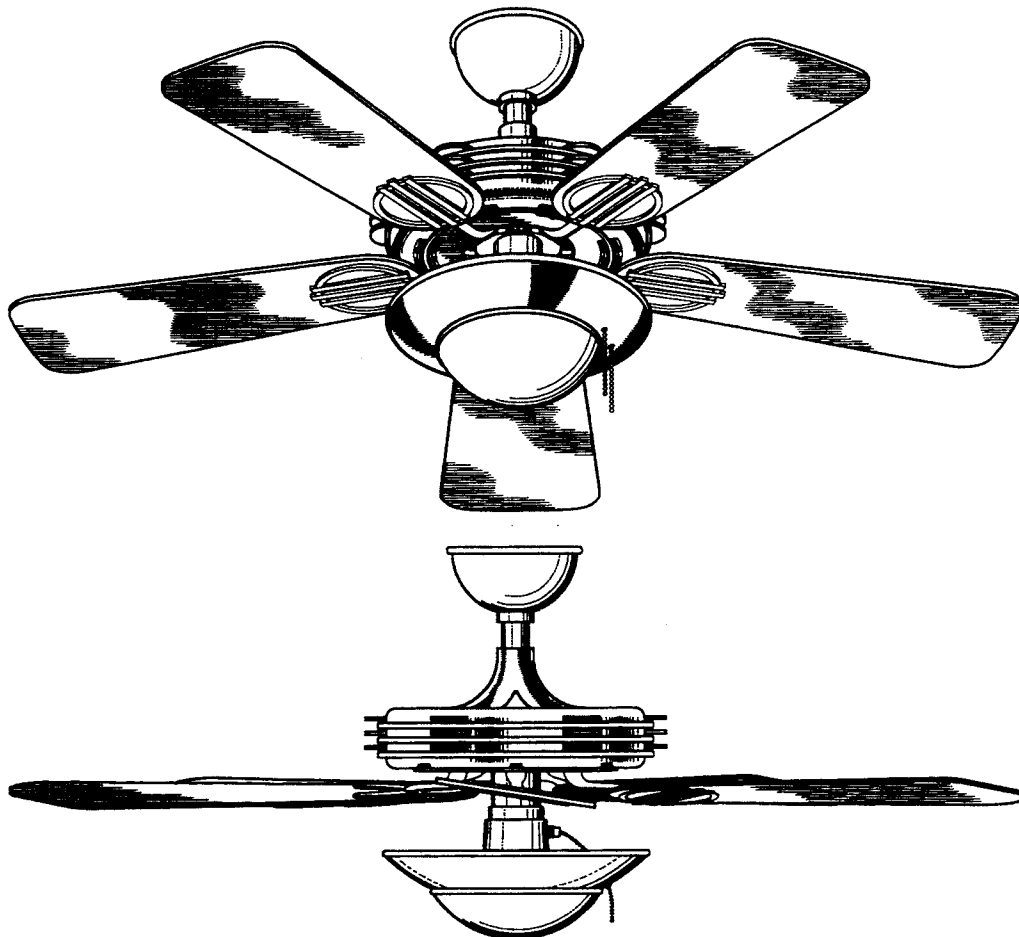
D. 297,859	9/1988	Jiang	D23/385
D. 298,454	11/1988	Clyde-Mason	D23/379
D. 329,894	9/1992	Scofield	D23/377
4,396,352	8/1983	Pearce	D23/377
5,079,684	1/1992	Lai	362/294

FIG. 5 is a bottom perspective view of my new combined ceiling fan and light fixture, with the light fixture installed thereon;

FIG. 6 is a bottom plan view of FIG. 5 on a reduced scale; and,

FIG. 7 is a side elevational view of FIG. 5, the other sides being substantially identical except for the pull cord.

Primary Examiner—Lisa P. Lichtenstein



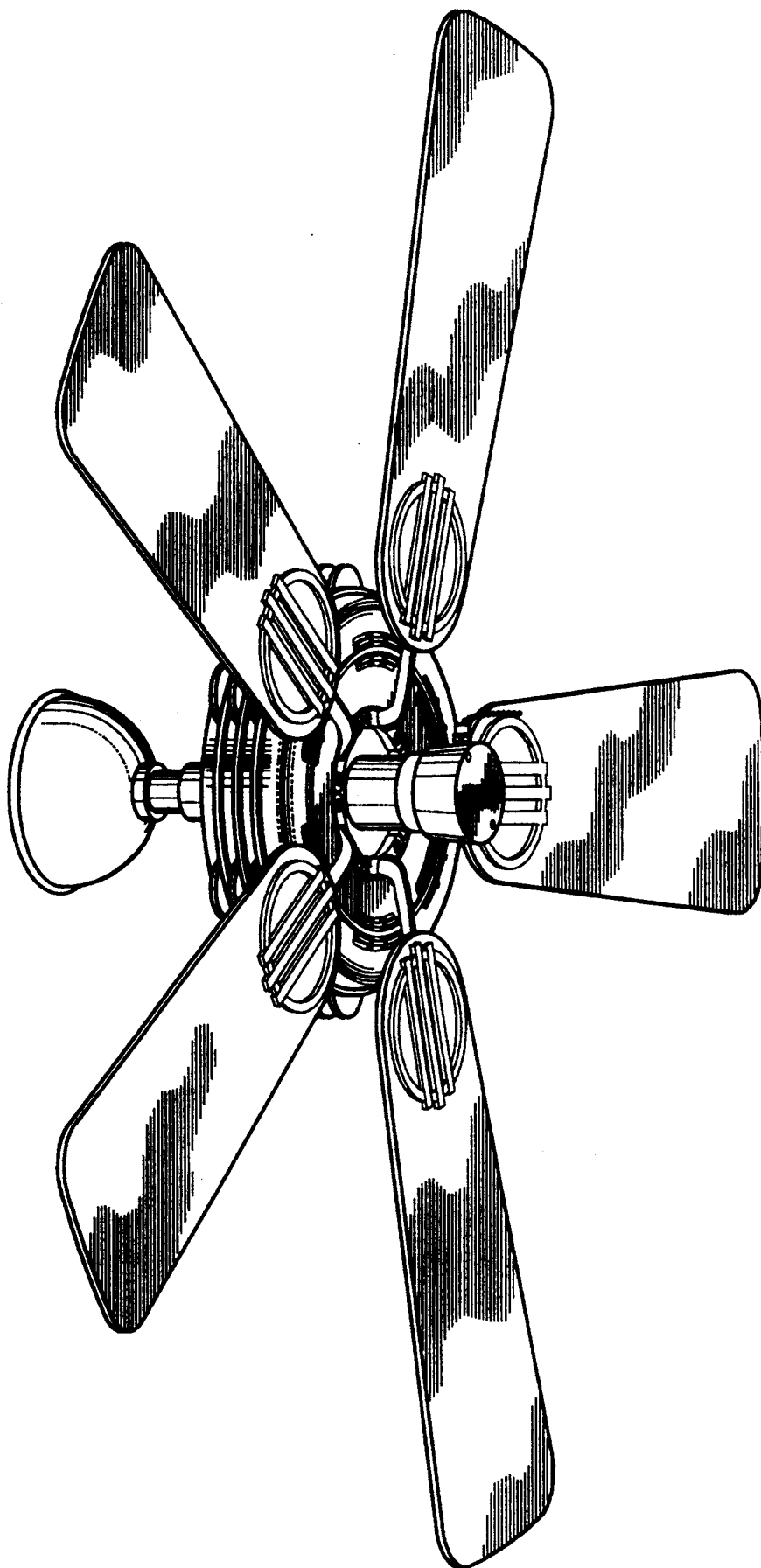


Fig. 1

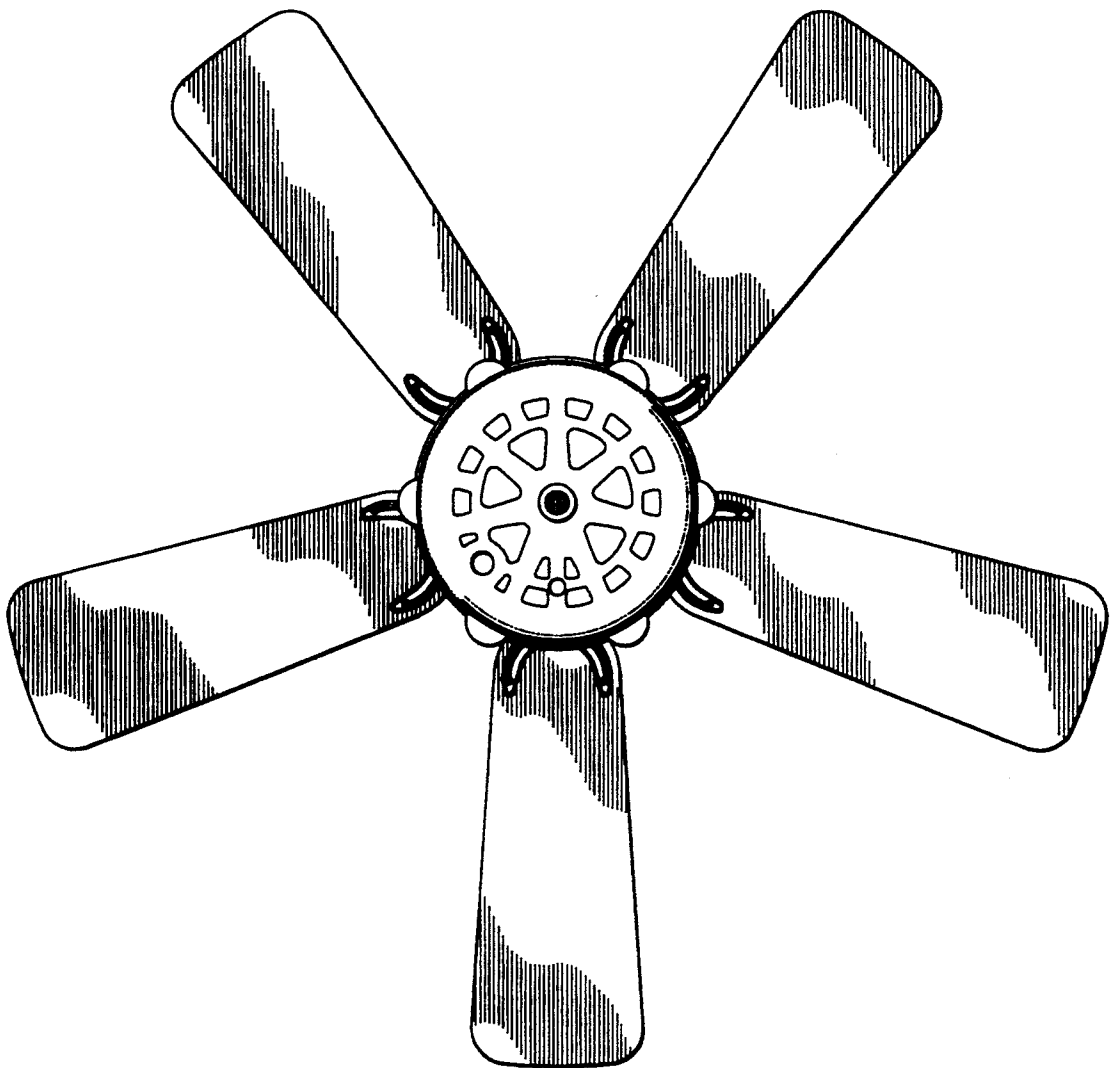


Fig.2

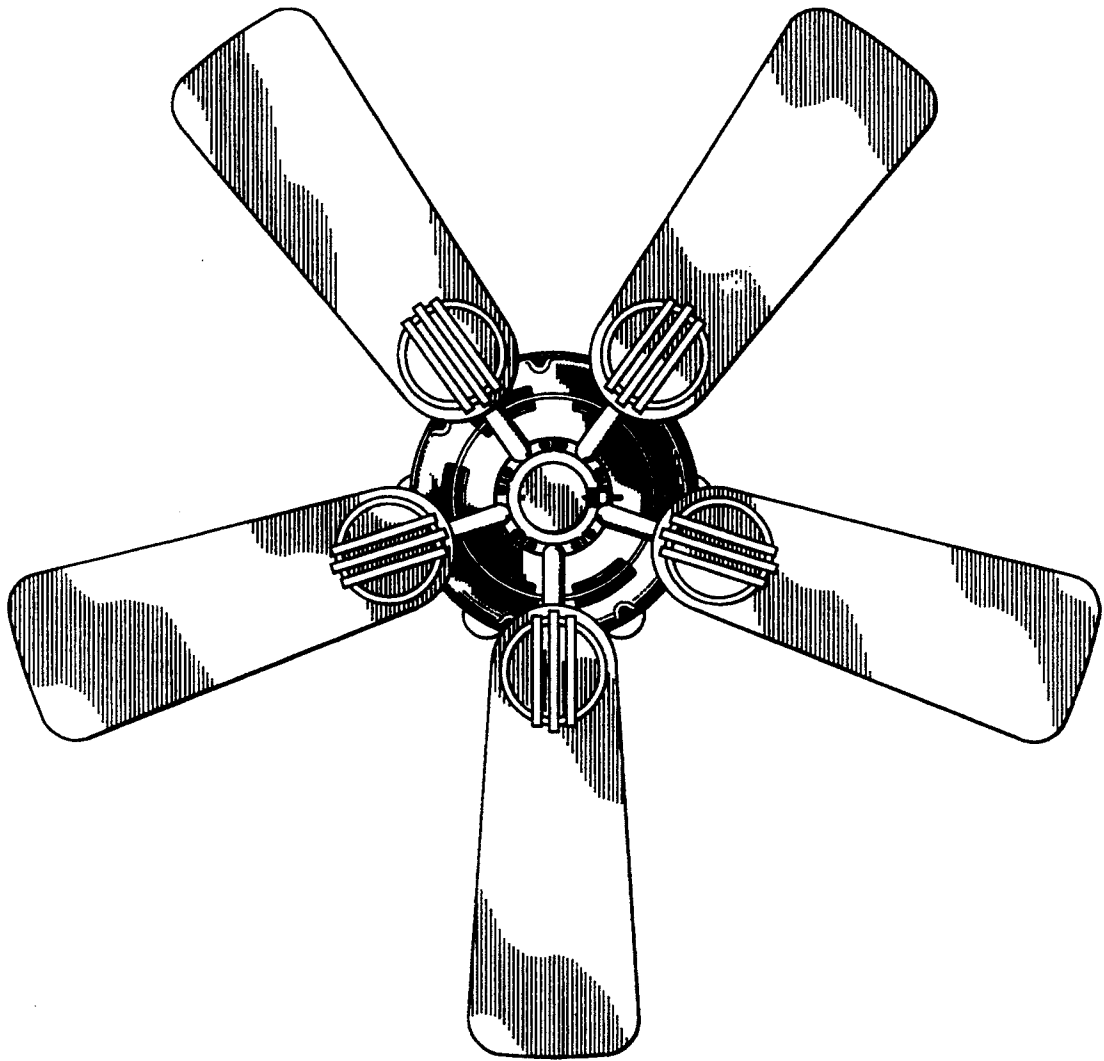


Fig.3

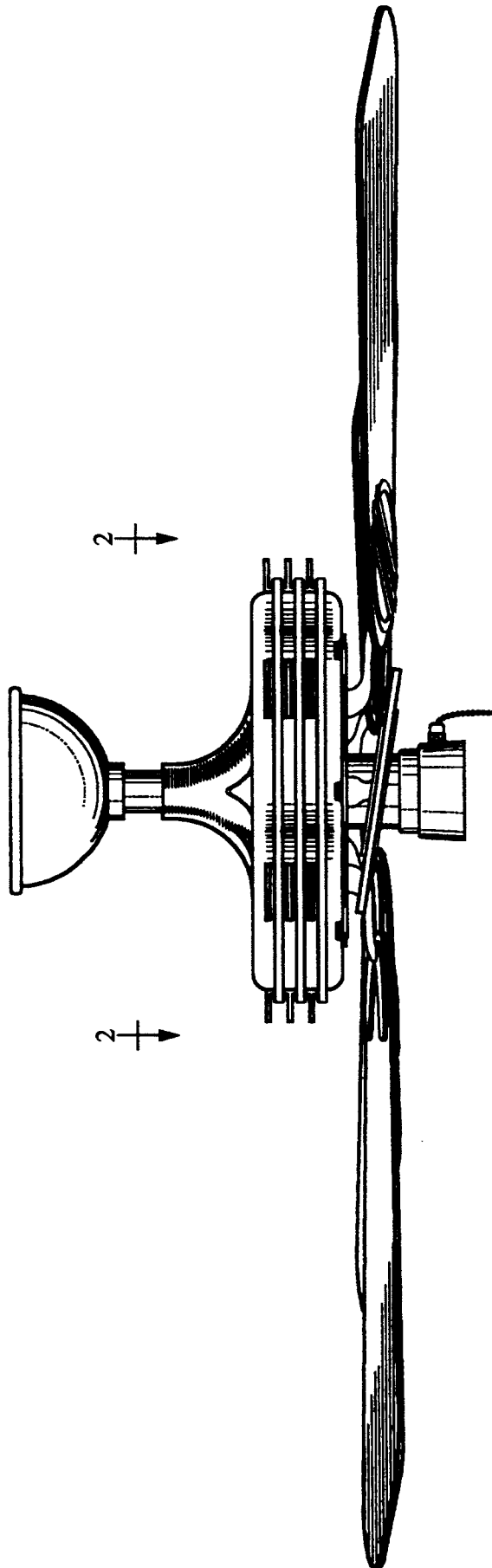


Fig.4

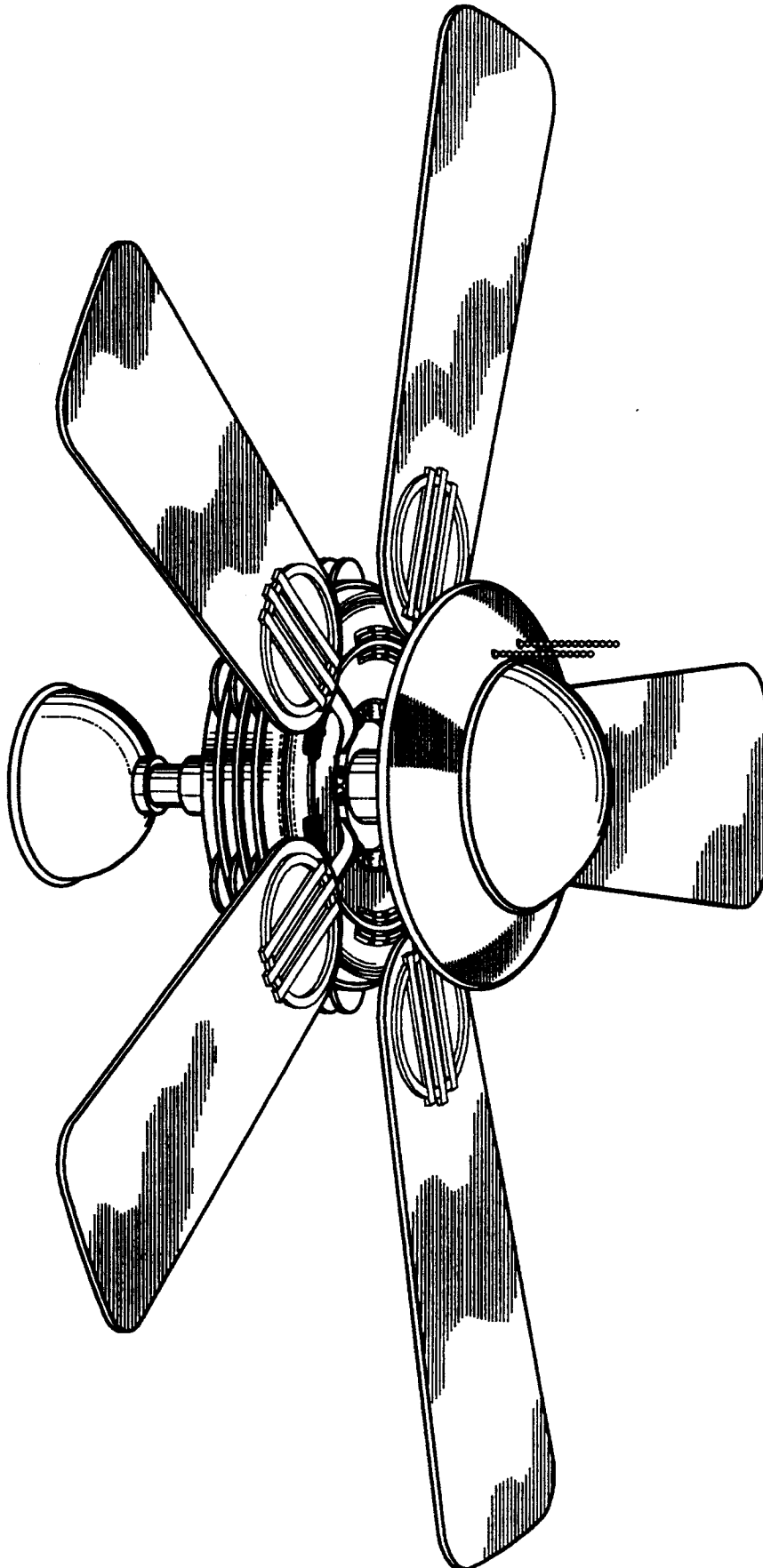


Fig.5

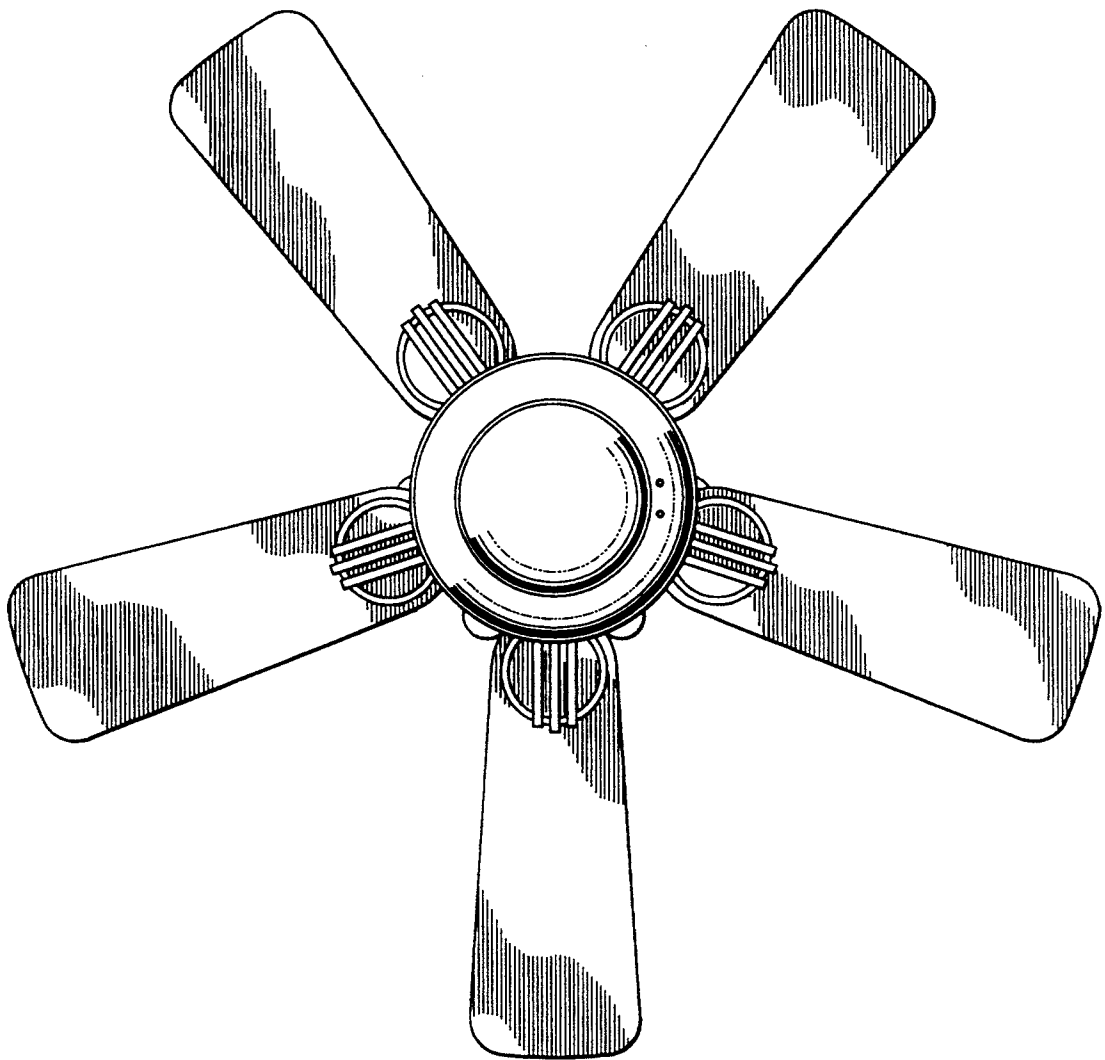


Fig.6

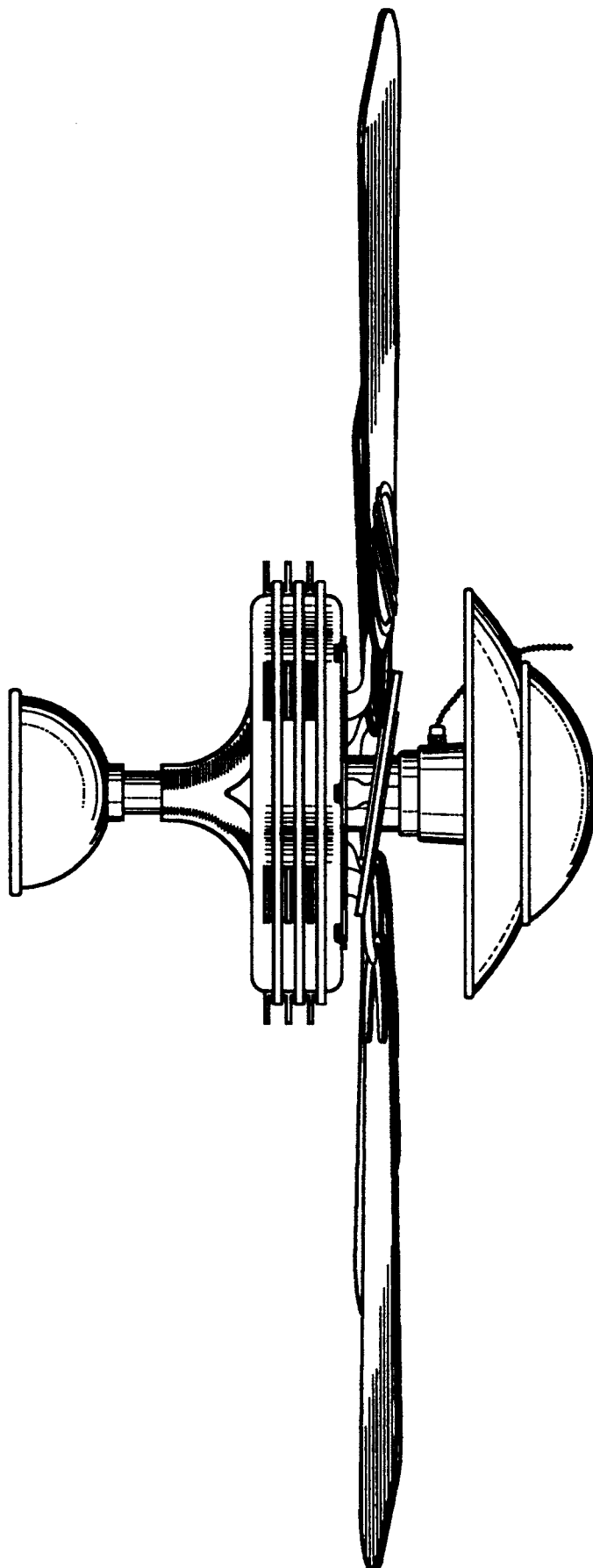


Fig.7