



US00D774870S

(12) **United States Design Patent** (10) **Patent No.:** **US D774,870 S**
Nasr et al. (45) **Date of Patent:** **** Dec. 27, 2016**

(54) **LOCKING ELEMENT** 5,956,981 A * 9/1999 Weisburn E05B 73/0023
206/1.5

(71) Applicant: **Tiger Profiles and Insulation LLC,** 6,388,213 B1 * 5/2002 Letient H01H 9/285
Sharjah (AE) 200/43.14

(72) Inventors: **Bernard Robert Nasr,** Dubai (AE); 6,390,307 B1 5/2002 Stelter
Kerry Allan Hayes, Dubai (AE) 6,481,581 B2 11/2002 Sipe
D523,732 S 6/2006 Farrar et al.
D535,629 S * 1/2007 Kalous D13/178
D564,337 S 3/2008 Brojanac et al.

(73) Assignee: **TIGER PROFILES AND** D564,859 S 3/2008 Brojanac et al.
INSULATION LLC, Sharjah (AE) 7,540,177 B1 6/2009 Luo
D620,340 S 7/2010 Liljeqvist et al.
8,037,723 B2 10/2011 Fong
D725,991 S * 4/2015 Nasr D8/330

(**) Term: **14 Years**

(21) Appl. No.: **29/519,979**

(22) Filed: **Mar. 10, 2015**

Related U.S. Application Data

(62) Division of application No. 29/433,539, filed on Oct. 1, 2012, now Pat. No. Des. 725,991.

(30) **Foreign Application Priority Data**

Mar. 30, 2012 (NZ) 416102

(51) **LOC (10) Cl.** **08-07**

(52) **U.S. Cl.**
USPC **D8/330**

(58) **Field of Classification Search**
USPC D8/330, 331, 336, 343, 346, 349,
400,D8/499; 70/105, 14, 57, 57.12, 58,
52, 266, 70/262, 431, 465, 466
See application file for complete search history.

(56) **References Cited**

U.S. PATENT DOCUMENTS

5,656,998 A * 8/1997 Fujiuchi G08B 13/1454
340/568.1
D412,099 S * 7/1999 Korhonen D8/331

* cited by examiner

Primary Examiner — Prabhakar Deshmukh

(74) *Attorney, Agent, or Firm* — Young & Thompson

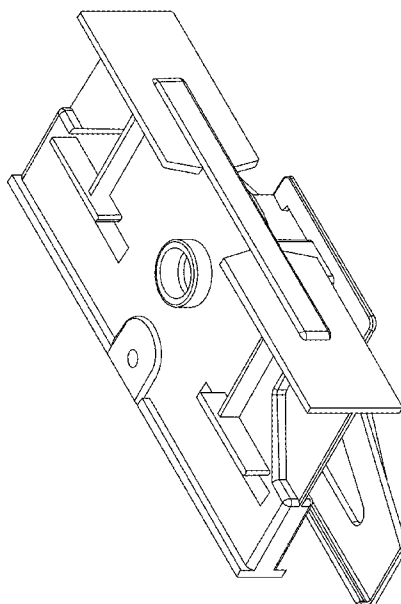
(57) **CLAIM**

The ornamental design for a locking element, as shown and described.

DESCRIPTION

FIG. 1 is a rear, top, and left side perspective view of a locking element showing the new design;
FIG. 2 is a front, bottom, and left side perspective view thereof;
FIG. 3 is a front elevation view thereof;
FIG. 4 is a rear elevation view thereof;
FIG. 5 is a left side elevation view thereof; and,
FIG. 6 is a right side elevation view thereof.

1 Claim, 6 Drawing Sheets



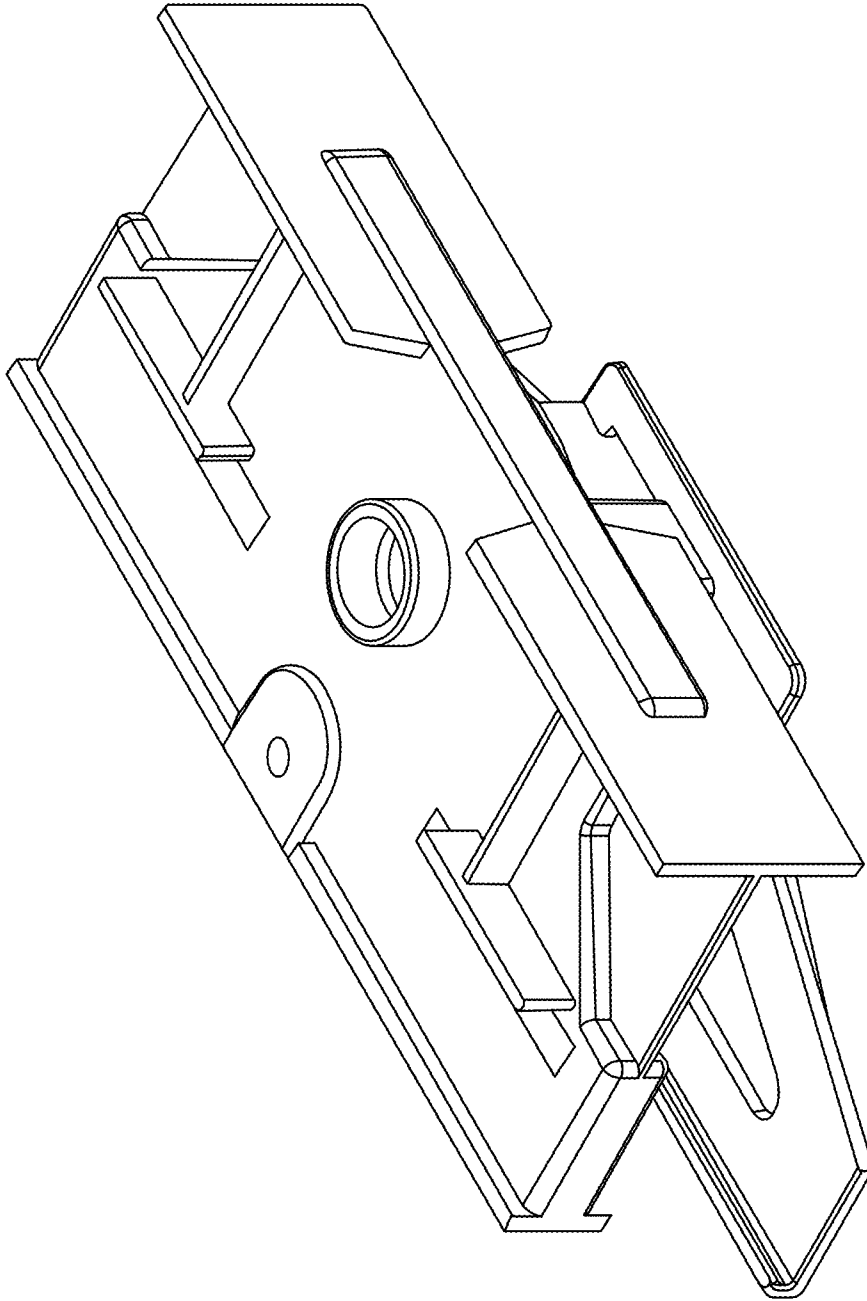


FIG. 1

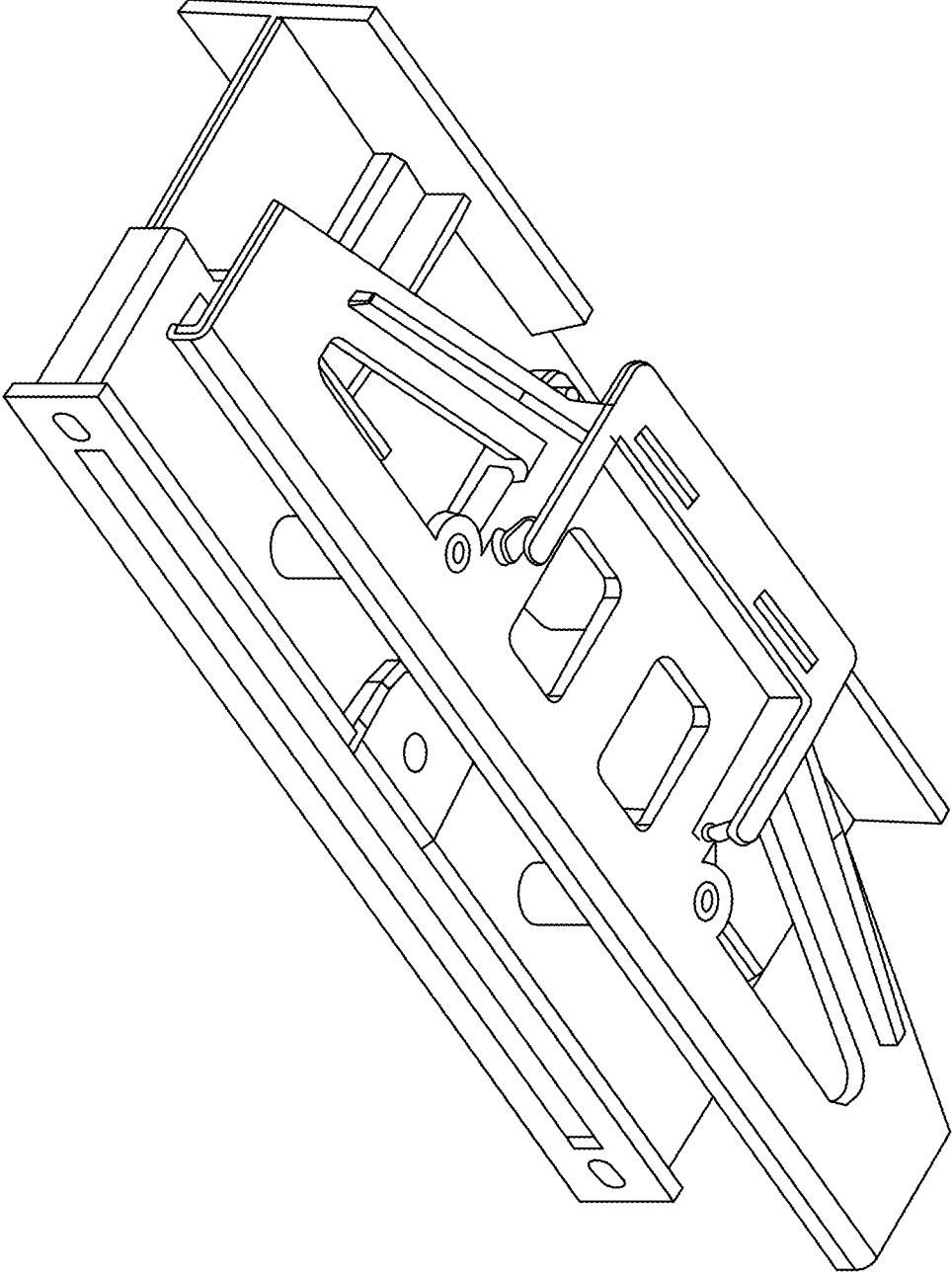


FIG. 2

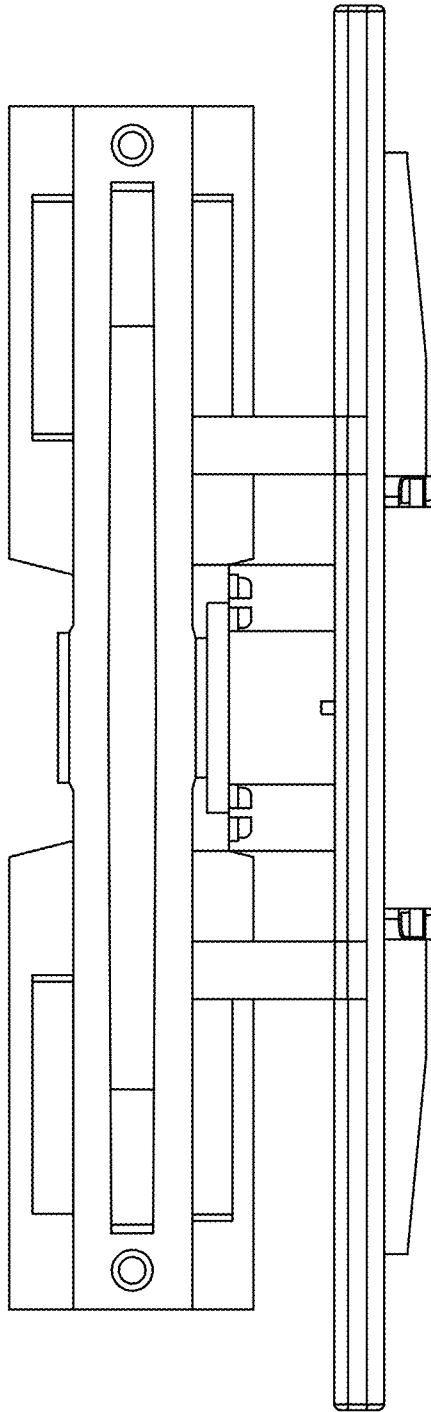


FIG. 3

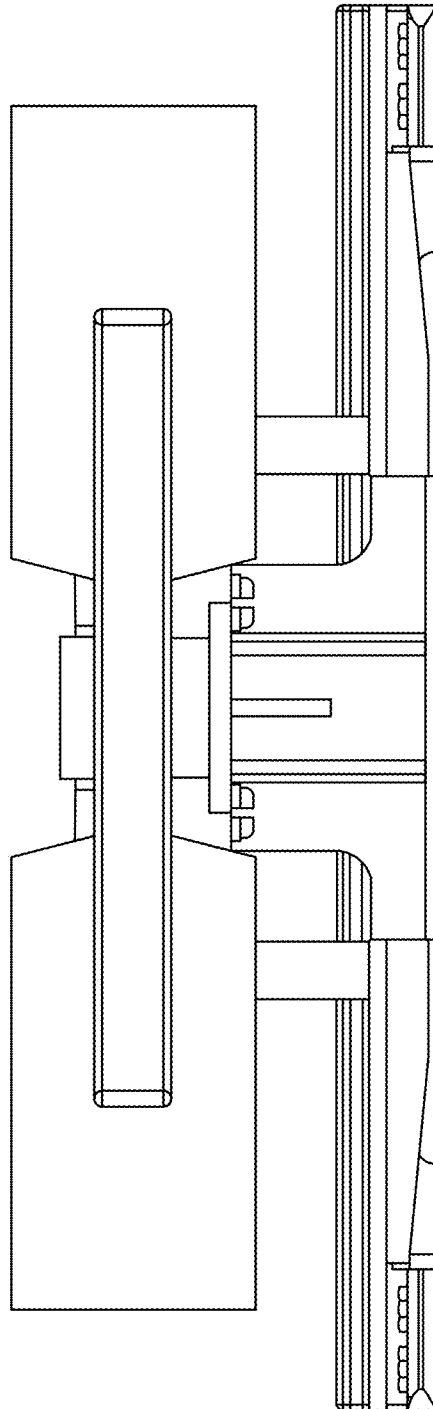


FIG. 4

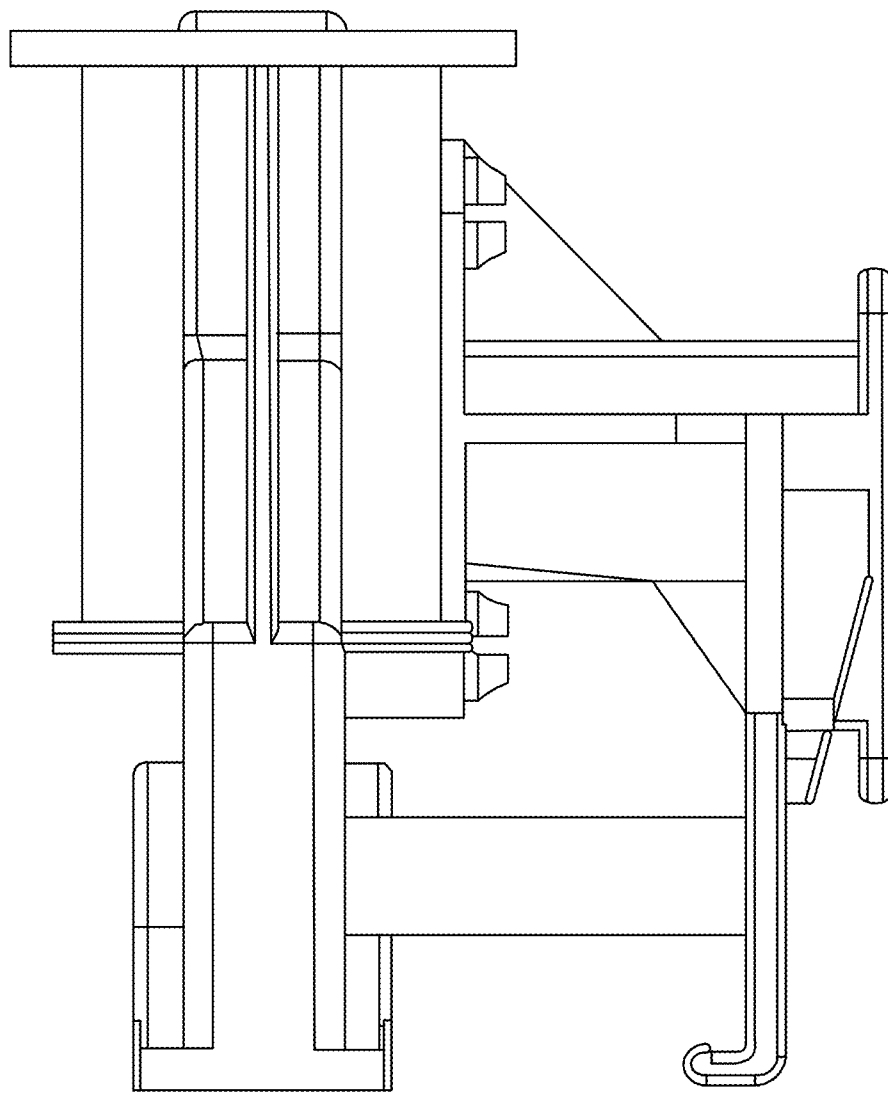


FIG. 5

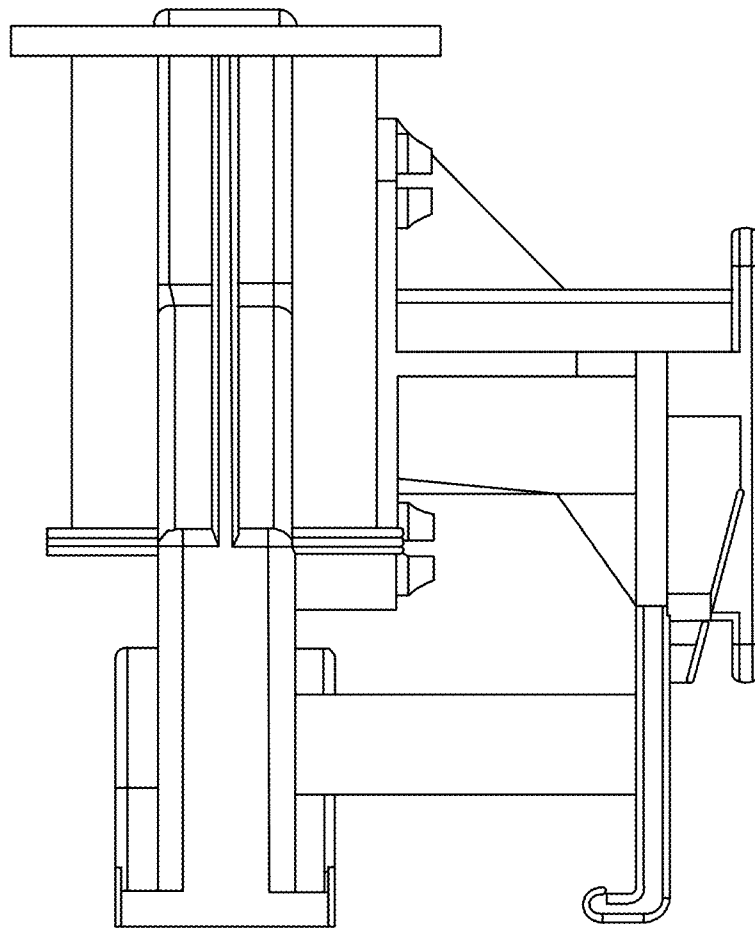


FIG. 6