



(12) **United States Design Patent**
Zanki et al.

(10) **Patent No.:** **US D807,081 S**
(45) **Date of Patent:** **** Jan. 9, 2018**

(54) **SUPPORT APPARATUS**

(71) Applicants: **Logan Zanki**, North Plainfield, NJ (US); **Kathleen Zanki**, North Plainfield, NJ (US)

(72) Inventors: **Logan Zanki**, North Plainfield, NJ (US); **Kathleen Zanki**, North Plainfield, NJ (US)

(**) Term: **15 Years**

(21) Appl. No.: **29/608,418**

(22) Filed: **Jun. 21, 2017**

Related U.S. Application Data

(62) Division of application No. 29/548,298, filed on Dec. 11, 2015, now Pat. No. Des. 793,123.

(51) **LOC (11) Cl.** **06-09**

(52) **U.S. Cl.**
USPC **D6/601**

(58) **Field of Classification Search**
USPC D6/333, 349, 355, 375, 388, 512, 563, D6/564, 595, 596, 601, 604, 611, 707, D6/715, 716, 716.1; D24/183-185, 234; D21/803, 804, 805, 809; 5/401, 420, 5/600, 630, 631, 632, 633, 635, 636, 638, 5/639, 646, 652, 652.1, 655, 703, 730; 297/1, 2, 4, 93, 180.11, 195.1, 195.11, 297/195.13, 393, 397, 452.12, 452.1, 297/452.15, 452.21, 452.24, 452.26, 297/452.48, 452.62, 482
CPC .. A47G 9/1036; A47G 9/1045; A47G 9/1063; A47G 9/1072; A47G 9/1081; A47G 9/109; A47C 7/021; A47C 27/00

See application file for complete search history.

(56) **References Cited**

U.S. PATENT DOCUMENTS

2,089,854	A *	8/1937	Pellegrini	A47C 20/025	5/110
D263,190	S *	3/1982	Herr		5/636
D285,512	S *	9/1986	Bool	D6/596	
D334,318	S *	3/1993	Chee	D6/601	
D342,409	S *	12/1993	Gambin	5/631	
D445,505	S *	7/2001	Shapiro	D24/183	
D504,045	S *	4/2005	Rediske	D6/601	
D576,408	S *	9/2008	Forshpan	D6/333	
D610,853	S *	3/2010	Straub	D6/601	
D618,947	S *	7/2010	Kalatsky	D6/601	
D642,278	S *	7/2011	Sharps	D24/184	
D656,356	S *	3/2012	Cheng	D6/601	
D666,046	S *	8/2012	Xiong	D6/601	
D670,090	S *	11/2012	Miucci	D6/349	
8,656,541	B2 *	2/2014	Muollo	A47C 20/021	5/615
D700,786	S *	3/2014	Yeung	D6/333	
D714,072	S *	9/2014	Nadeau	D6/390	

* cited by examiner

Primary Examiner — Eric L Goodman

Assistant Examiner — Sanjeev Paul

(74) *Attorney, Agent, or Firm* — Gearhart Law LLC

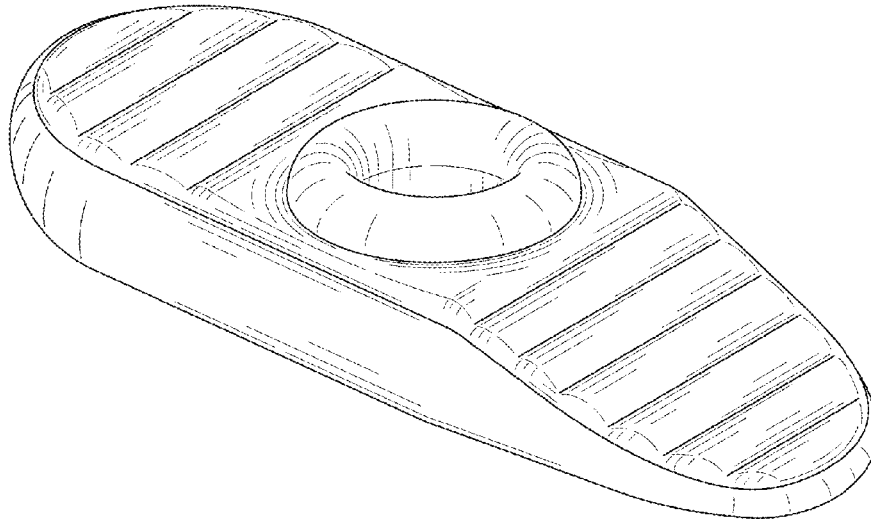
(57) **CLAIM**

The ornamental design for a support apparatus, as shown and described.

DESCRIPTION

FIG. 1 is a perspective view of the support apparatus.
FIG. 2 is a back view of the support apparatus thereof.
FIG. 3 is a front view of the support apparatus thereof.
FIG. 4 is a right side view of the support apparatus thereof.
FIG. 5 is a left side view of the support apparatus thereof.
FIG. 6 is a top view of the support apparatus thereof; and,
FIG. 7 is a bottom view of the support apparatus thereof.

1 Claim, 5 Drawing Sheets



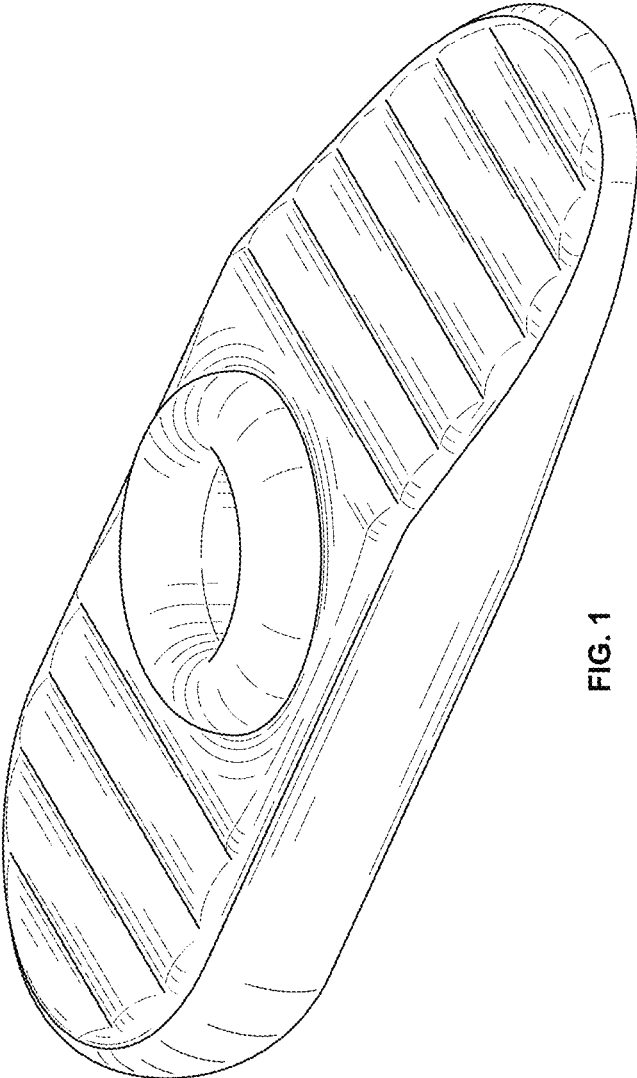


FIG. 1

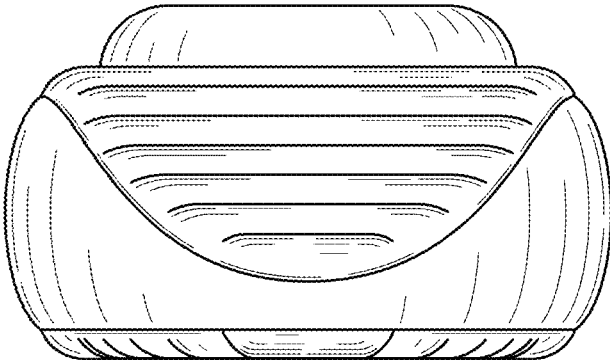


FIG. 2

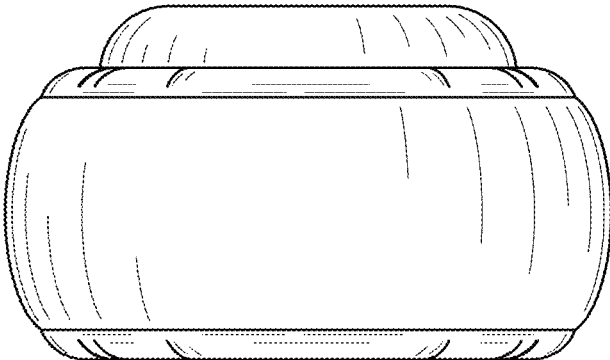


FIG. 3

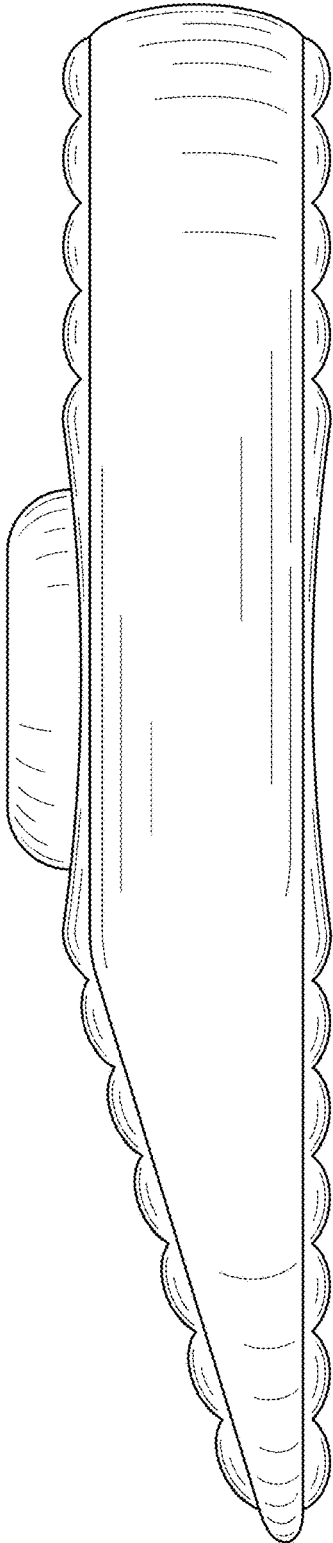


FIG. 4

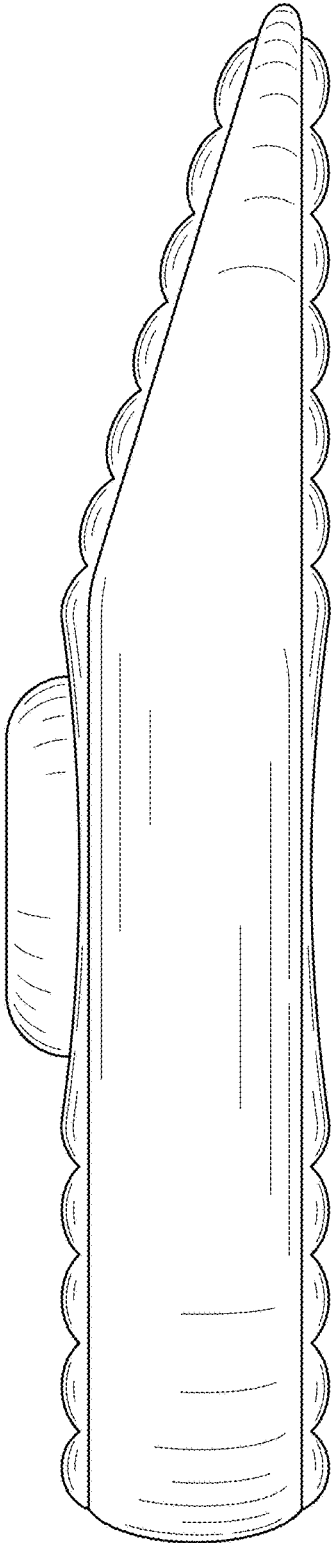


FIG. 5

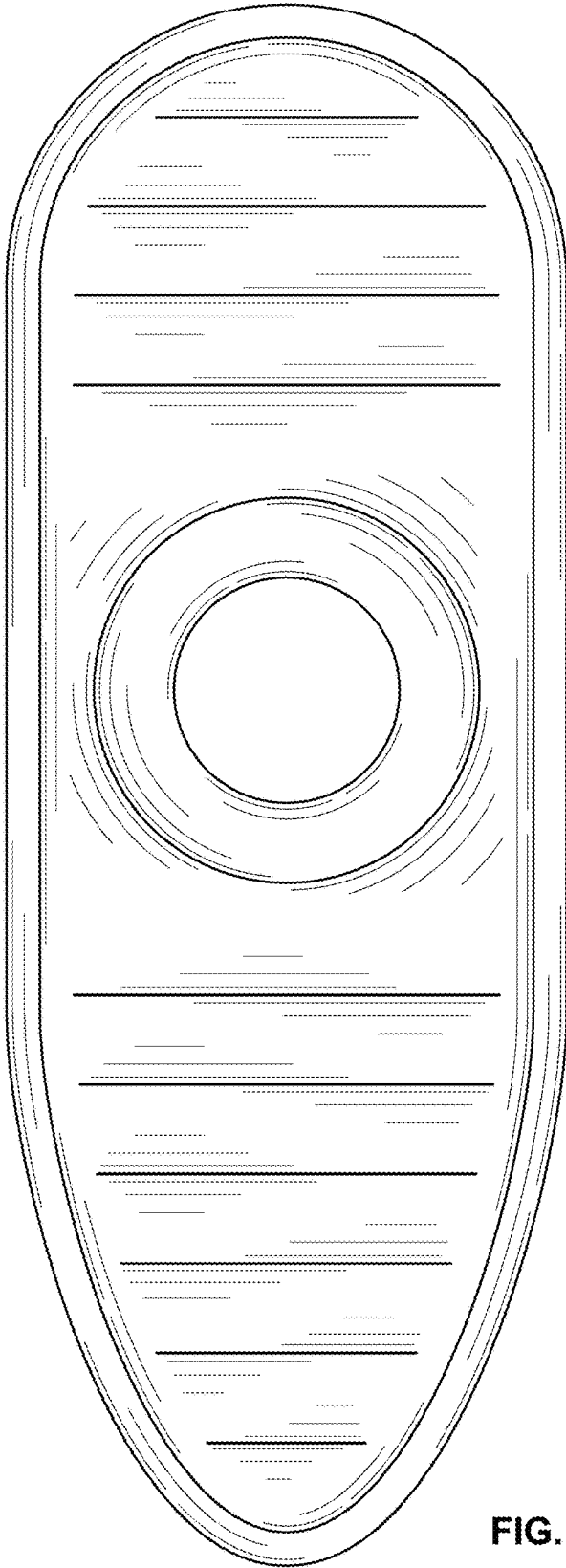


FIG. 6

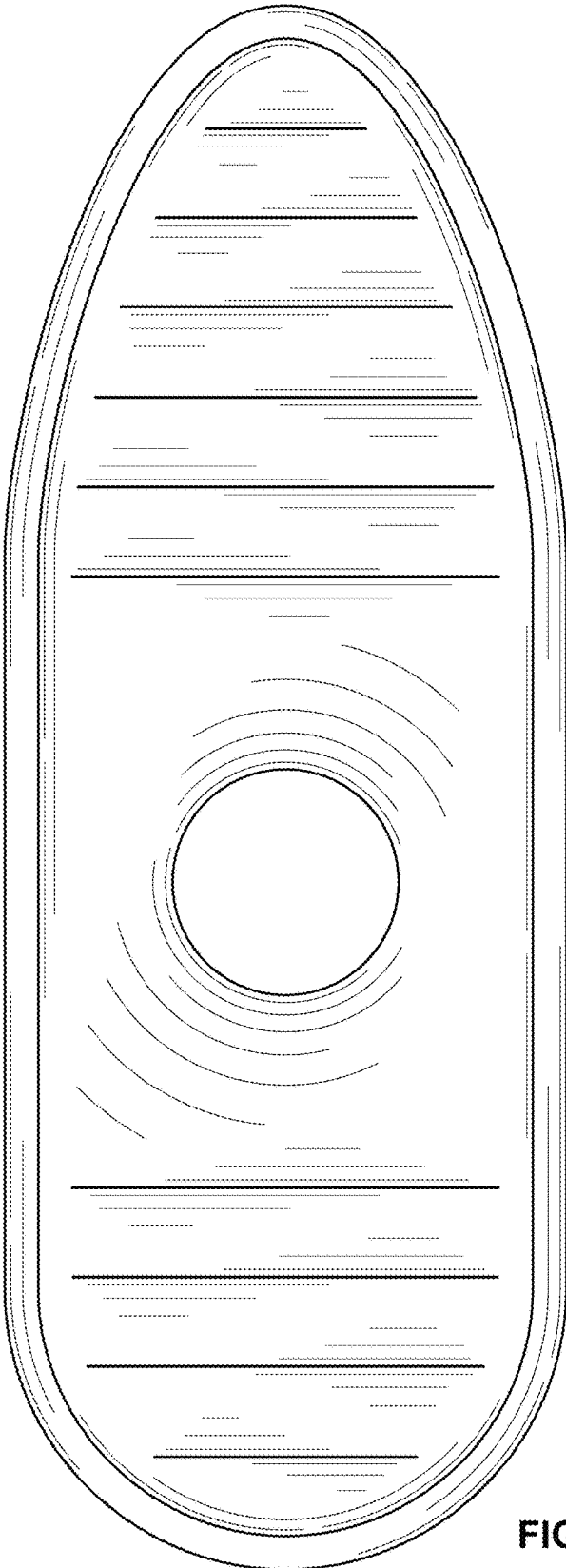


FIG. 7