



US00D828773S

(12) **United States Design Patent**  
**DiMartini et al.**

(10) **Patent No.:** **US D828,773 S**

(45) **Date of Patent:** **\*\* Sep. 18, 2018**

- (54) **BEZEL RING WITH PIN**
- (71) Applicants: **Michael J. DiMartini**, St. Louis, MO (US); **David L. Barnes**, St. Louis, MO (US)
- (72) Inventors: **Michael J. DiMartini**, St. Louis, MO (US); **David L. Barnes**, St. Louis, MO (US)
- (\*\*) Term: **15 Years**
- (21) Appl. No.: **29/580,733**
- (22) Filed: **Oct. 12, 2016**
- (51) **LOC (11) Cl.** ..... **10-07**
- (52) **U.S. Cl.**  
USPC ..... **D10/128**
- (58) **Field of Classification Search**  
USPC ..... D10/1-2, 6-10, 14-15, 22, 30-39, 65, D10/70, 97-98, 122-126, 128; D14/344; D24/167, 186  
CPC ..... G04B 19/00; G04B 19/025; G04B 19/04; G04B 19/046; G04B 19/048; G04B 19/06; G04B 19/08; G04B 19/085; G04B 19/087; G04B 45/0069; G04B 45/0076; G04B 19/065; G04B 19/082; G04B 19/10; G04B 19/103; G04B 19/106; G04B 19/12; G04B 19/16; G04B 19/163; G04B 19/166; G04B 19/18; G04B 19/22; G04B 19/223; G04B 19/225; G04B 19/226; G04B 19/228; G04B 27/00; G04B 27/06  
See application file for complete search history.

- D320,947 S \* 10/1991 Goto ..... D10/39
- D340,478 S \* 10/1993 Erskine ..... D21/308
- 5,598,383 A \* 1/1997 Li ..... G04B 37/081  
368/291
- D379,325 S \* 5/1997 Osit ..... D10/128
- D380,976 S \* 7/1997 Houlihan ..... D10/128
- D401,861 S \* 12/1998 Riley ..... D10/30
- D543,886 S \* 6/2007 Pandel ..... D10/128
- D576,906 S \* 9/2008 Calvani ..... D10/128
- D579,812 S \* 11/2008 Calvani ..... D10/128
- D658,079 S \* 4/2012 Emch ..... D10/38
- D666,925 S \* 9/2012 Ahlstrom ..... D10/32
- D725,529 S \* 3/2015 Gueit ..... D10/128
- 9,360,841 B1 \* 6/2016 Tolani ..... G04B 3/045
- D761,131 S \* 7/2016 Nunes ..... D10/128
- D799,578 S \* 10/2017 Clark ..... D16/219
- D801,195 S \* 10/2017 Monachon ..... D10/30
- 2006/0193210 A1 \* 8/2006 Damasko ..... G04B 19/283  
368/295

(Continued)

*Primary Examiner* — Sandra S Snapp  
*Assistant Examiner* — Katherine Glennon  
(74) *Attorney, Agent, or Firm* — Charles McCloskey

(57) **CLAIM**

The ornamental design for a bezel ring with pin, as shown and described.

**DESCRIPTION**

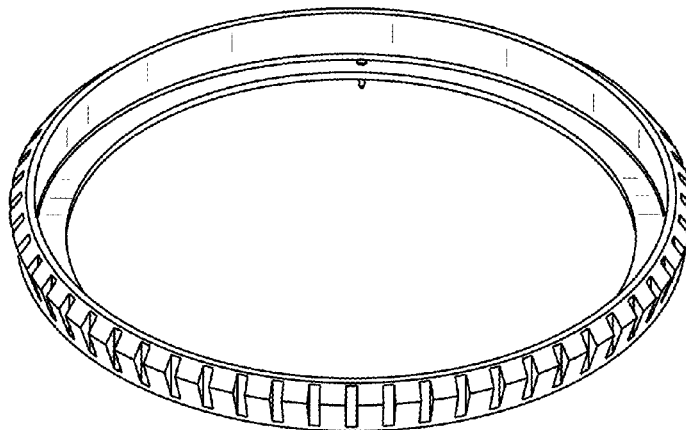
FIG. 1 is a top view of the invention;  
FIG. 2 is a bottom view thereof;  
FIG. 3 is a front view thereof;  
FIG. 4 is a back view thereof;  
FIG. 5 is a left side view thereof;  
FIG. 6 is a right side view thereof;  
FIG. 7 is a top perspective view thereof;  
FIG. 8 is a bottom perspective view thereof; and,  
FIG. 9 is an exploded view thereof.  
The portions of the watch depicted in broken lines form no part of the claimed design.

**1 Claim, 3 Drawing Sheets**

(56) **References Cited**

U.S. PATENT DOCUMENTS

- 2,617,249 A \* 11/1952 Devay ..... G04B 45/0069  
368/276
- 3,911,668 A \* 10/1975 Beguin ..... G04B 19/00  
368/238



(56)

**References Cited**

## U.S. PATENT DOCUMENTS

2006/0239123	A1*	10/2006	Chen .....	G04G 9/0076 368/21
2013/0182544	A1*	7/2013	Netuschill .....	G04B 37/08 368/280
2013/0329536	A1*	12/2013	Silvant .....	G04B 19/286 368/295
2015/0185702	A1*	7/2015	Silvant .....	G04B 19/283 368/295
2015/0212491	A1*	7/2015	Tschumi .....	G04B 37/0008 368/299
2015/0227113	A1*	8/2015	Cattaneo .....	G04B 19/223 368/295
2016/0007700	A1*	1/2016	Vaucher .....	A44C 17/02 368/10
2016/0109853	A1*	4/2016	Kobayashi .....	G04B 19/286 368/295
2017/0277125	A1*	9/2017	Jung .....	G04G 17/04
2018/0011446	A1*	1/2018	Yanagisawa .....	G04B 19/223

\* cited by examiner

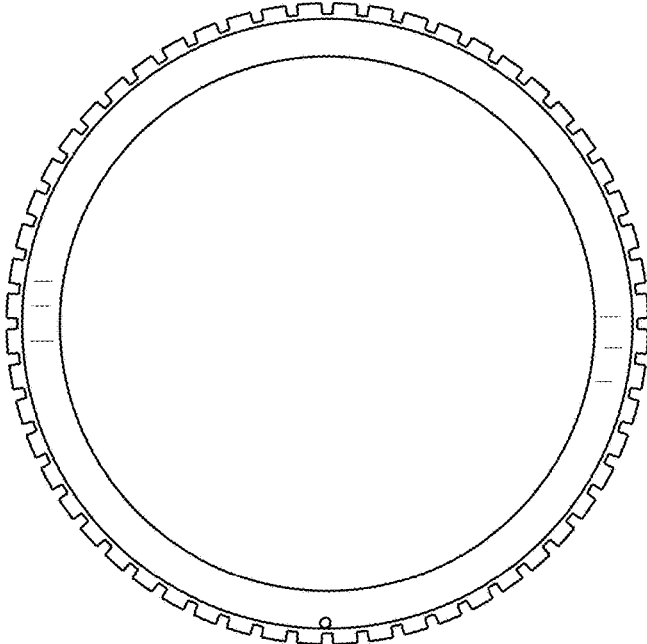


FIG. 1

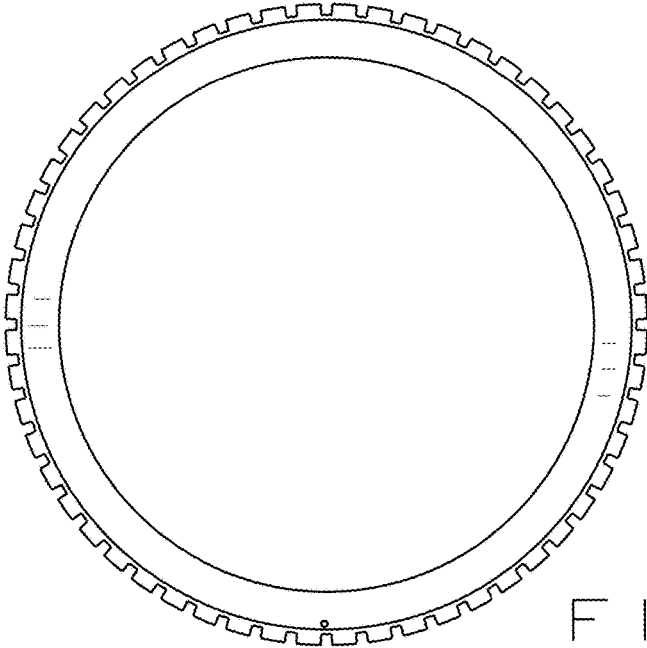


FIG. 2

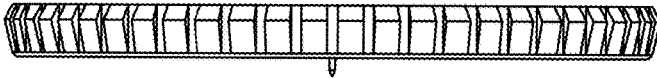


FIG. 3

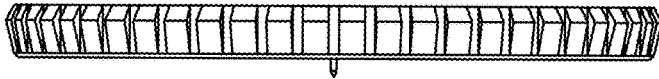


FIG. 4

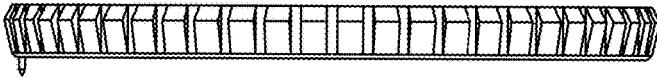


FIG. 5

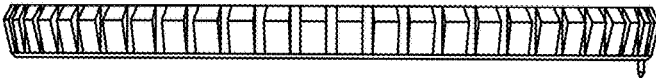


FIG. 6

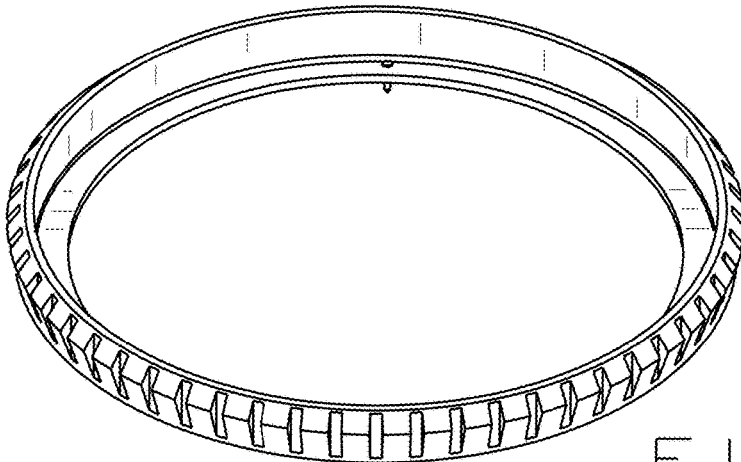


FIG. 7

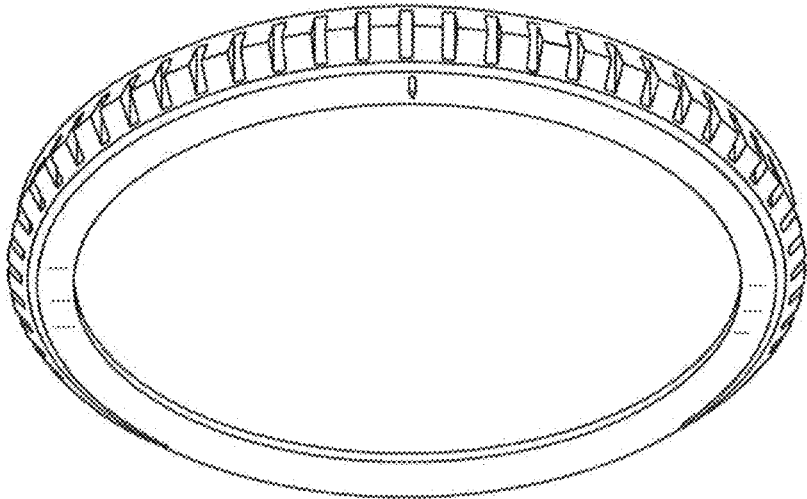


FIG. 8

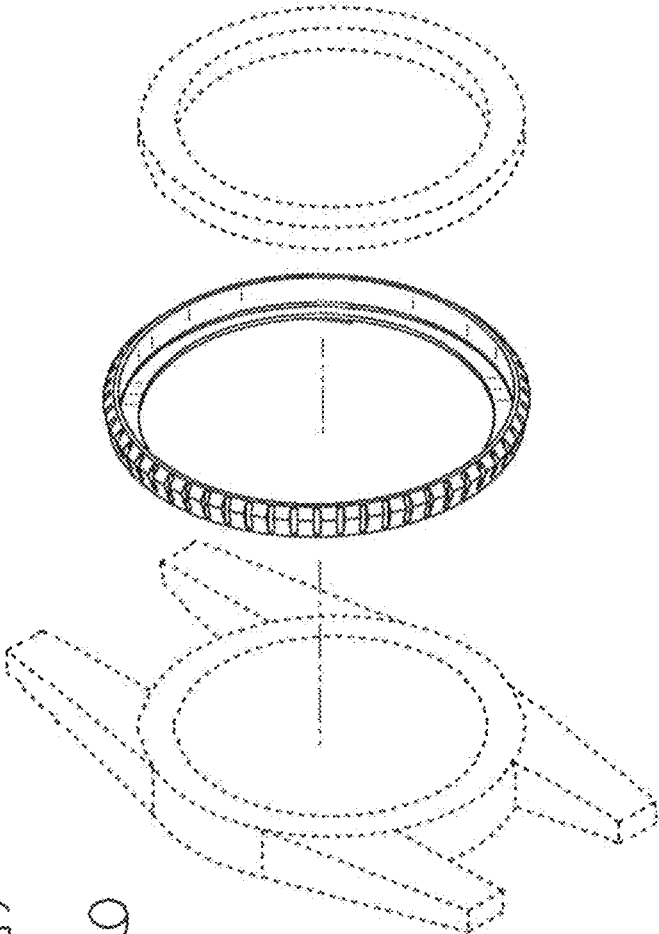


FIG. 9