



US00D479178S

(12) **United States Design Patent** (10) **Patent No.:** **US D479,178 S**  
**Lai** (45) **Date of Patent:** **\*\* Sep. 2, 2003**

(54) **FRONT FACE OF A VEHICLE WHEEL**  
(75) Inventor: **Pinky Lai, Koenigsbach-Stein (DE)**  
(73) Assignee: **Dr. Ing. h.c.F. Porsche Aktiengesellschaft, Stuttgart (DE)**  
(\*\*) Term: **14 Years**

D447,107 S \* 8/2001 Kuribayashi ..... D12/211  
D450,649 S \* 11/2001 Penzes ..... D12/211  
D451,067 S \* 11/2001 Frizzi ..... D12/211  
D453,494 S \* 2/2002 Brown et al. .... D12/211  
D457,118 S \* 5/2002 Bhambra ..... D12/211  
D460,035 S \* 7/2002 Wiesinger ..... D12/211  
D464,009 S \* 10/2002 Laengerer ..... D12/211  
D466,851 S \* 12/2002 Pfeiffer et al. .... D12/211  
D471,504 S \* 3/2003 Laengerer ..... D12/211

(21) Appl. No.: **29/172,431**  
(22) Filed: **Dec. 12, 2002**

\* cited by examiner

*Primary Examiner*—Stacia Cadmus  
(74) *Attorney, Agent, or Firm*—Crowell & Moring LLP

(30) **Foreign Application Priority Data**  
Jun. 13, 2002 (DE) ..... 402 04 852  
(51) **LOC (7) Cl.** ..... **12-16**  
(52) **U.S. Cl.** ..... **D12/211**  
(58) **Field of Search** ..... D12/204–211;  
301/37.101, 64.101, 65

(57) **CLAIM**

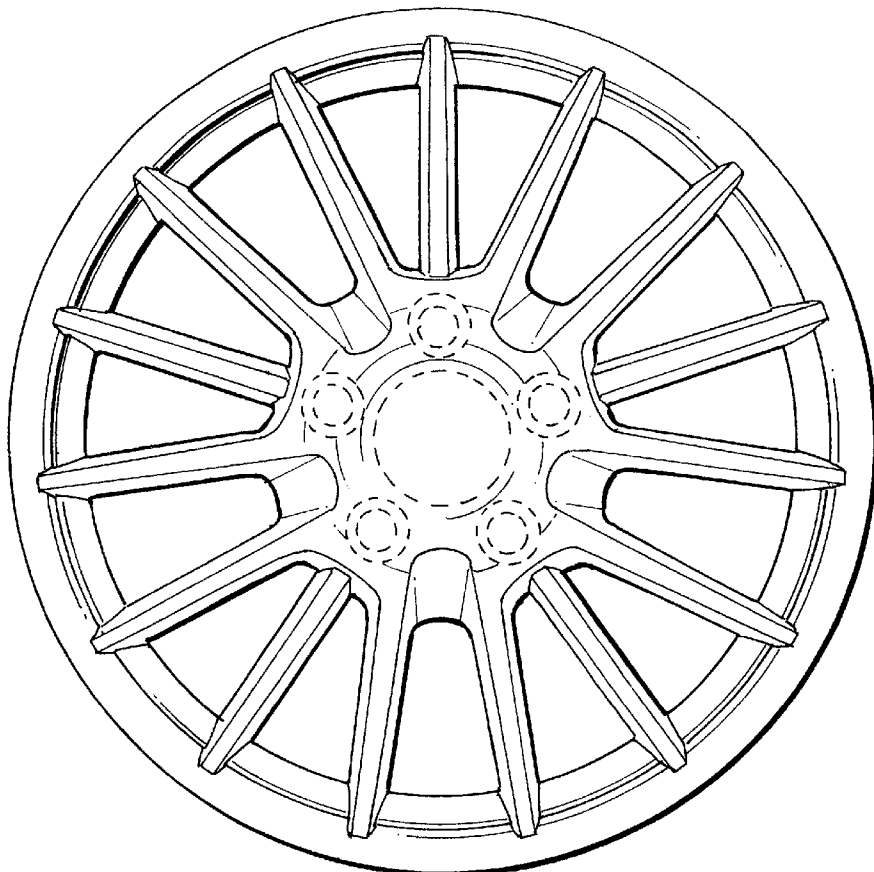
The ornamental design for a front face of a vehicle wheel, as shown and described.

**DESCRIPTION**

FIG. 1 is a front view of a front face of a vehicle wheel according to my novel design; and, FIG. 2 is a perspective view of the front face of a vehicle wheel according to my novel design. The dash lines included depict environment and are not part of the claimed design.

(56) **References Cited**  
**U.S. PATENT DOCUMENTS**  
D402,951 S \* 12/1998 Wechner ..... D12/211  
D416,850 S \* 11/1999 Cohen et al. .... D12/211  
D421,953 S \* 3/2000 Sims et al. .... D12/211  
D432,071 S \* 10/2000 Brown ..... D12/211

**1 Claim, 1 Drawing Sheet**



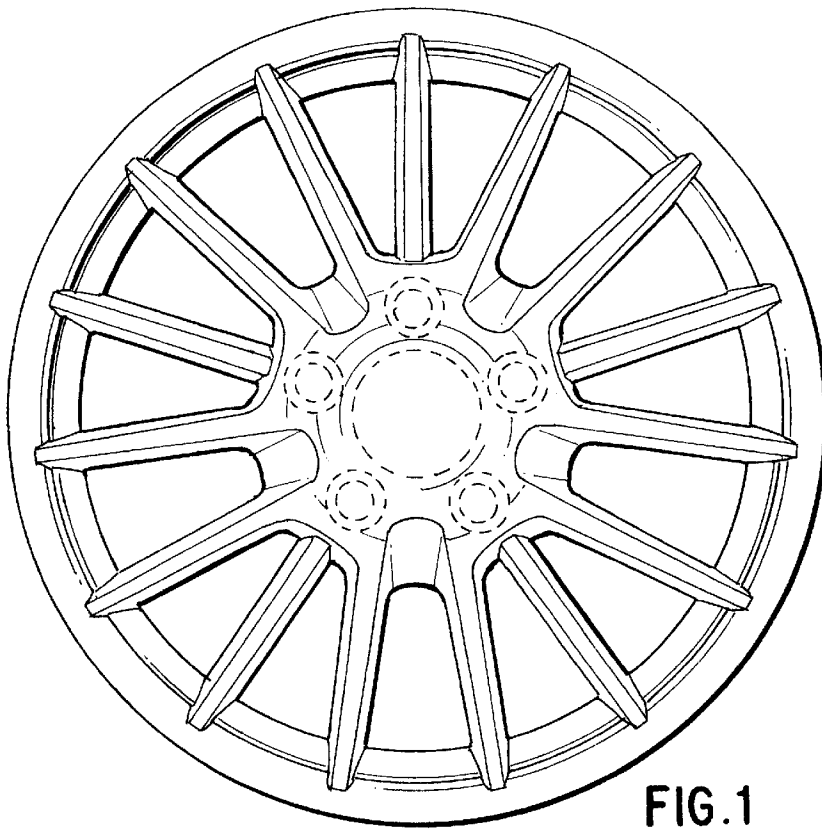


FIG. 1

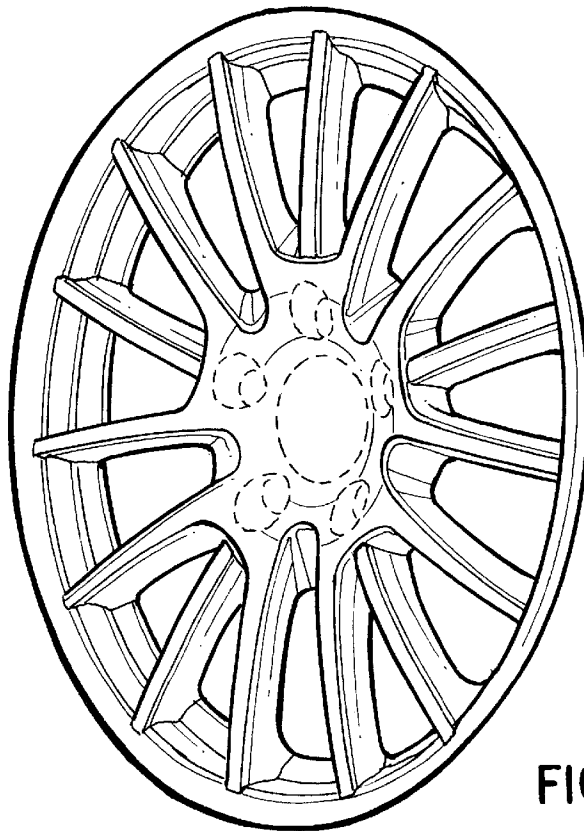


FIG. 2