



US00D885218S

(12) **United States Design Patent**  
**Nogueira et al.**

(10) **Patent No.:** **US D885,218 S**

(45) **Date of Patent:** **\*\* May 26, 2020**

(54) **FERMENTATION VAT MONITOR**

*Primary Examiner* — Antoine Duval Davis

(71) Applicant: **WATGRID LDA., Aveiro (PT)**

(74) *Attorney, Agent, or Firm* — McAndrews, Held & Malloy, Ltd.

(72) Inventors: **Rogério Nogueira, Aveiro (PT); Lúcia Bilro, Aveiro (PT); Fábio Gonçalves, Aveiro (PT); Pedro Costa, Aveiro (PT); Ricardo Pereira, Aveiro (PT)**

(57) **CLAIM**

The ornamental design for a fermentation vat monitor, as shown and described.

(73) Assignee: **WATGRID LDA. (PT)**

(\*\*) Term: **15 Years**

**DESCRIPTION**

(21) Appl. No.: **29/670,902**

FIG. 1 is a front perspective view of a fermentation vat monitor showing our new design according to a first embodiment;

(22) Filed: **Nov. 20, 2018**

FIG. 2 is a front elevation view thereof;

(51) **LOC (12) Cl.** ..... **10-04**

FIG. 3 is a rear elevation view thereof;

(52) **U.S. Cl.**

FIG. 4 is a right side elevation view thereof;

USPC ..... **D10/81**

FIG. 5 is a left side elevation view thereof;

(58) **Field of Classification Search**

USPC ..... **D10/81**

FIG. 6 is a top plan view thereof;

CPC ..... **G01N 33/146; G01N 27/4045; G01N**

FIG. 7 is a bottom plan view thereof;

**2033/4977; C12C 11/003; C12G 1/0203;**

FIG. 8 is a right side elevation view thereof, showing a vat to provide example environment;

**C12G 1/005**

See application file for complete search history.

FIG. 9 is a front perspective view of a fermentation vat monitor showing our new design according to a second embodiment;

(56) **References Cited**

FIG. 10 is a front elevation view thereof;

**U.S. PATENT DOCUMENTS**

FIG. 11 is a rear elevation view thereof;

5,284,566 A \* 2/1994 Cuomo ..... **G01N 27/4045**

FIG. 12 is a right side elevation view thereof;

204/412

FIG. 13 is a left side elevation view thereof;

6,305,214 B1 \* 10/2001 Schattke ..... **G01N 27/4045**

FIG. 14 is a top plan view thereof; and,

204/412

FIG. 15 is a bottom plan view thereof.

6,579,432 B2 \* 6/2003 Mallory ..... **G01N 27/4045**

The dashed broken line showing of a vat in FIG. 8 is for the purpose of illustrating environmental structure that forms no part of the claimed design. The remaining dashed broken lines in the figures illustrate portions of the fermentation vat monitor that form no part of the claimed design.

204/409

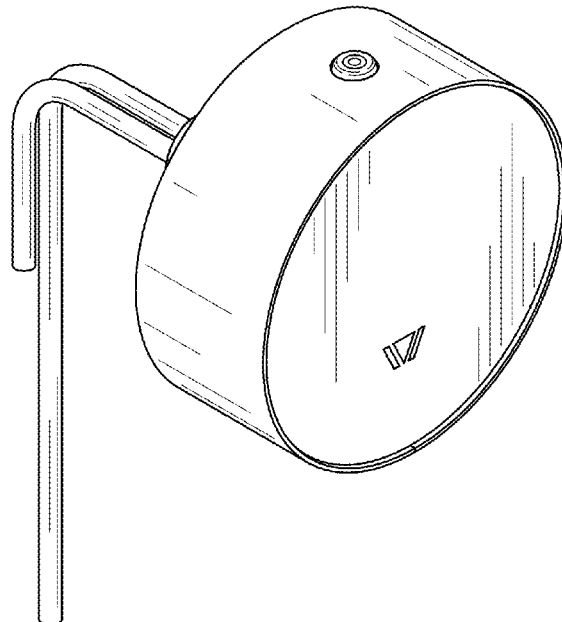
7,556,934 B2 \* 7/2009 Ragless ..... **G01N 7/04**

422/417

10,451,455 B2 \* 10/2019 Sweet ..... **G01D 21/02**

\* cited by examiner

**1 Claim, 10 Drawing Sheets**



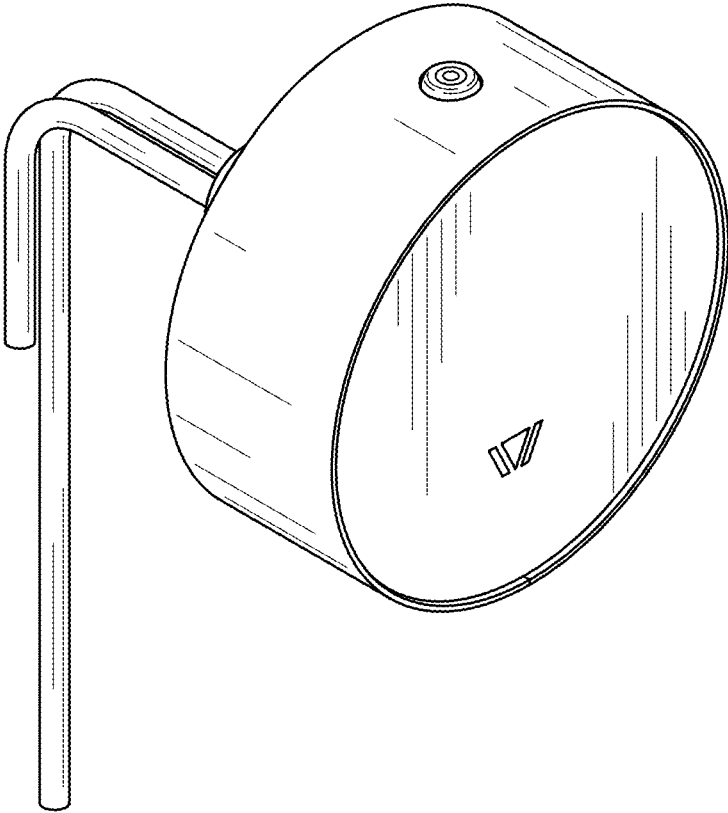


FIG. 1

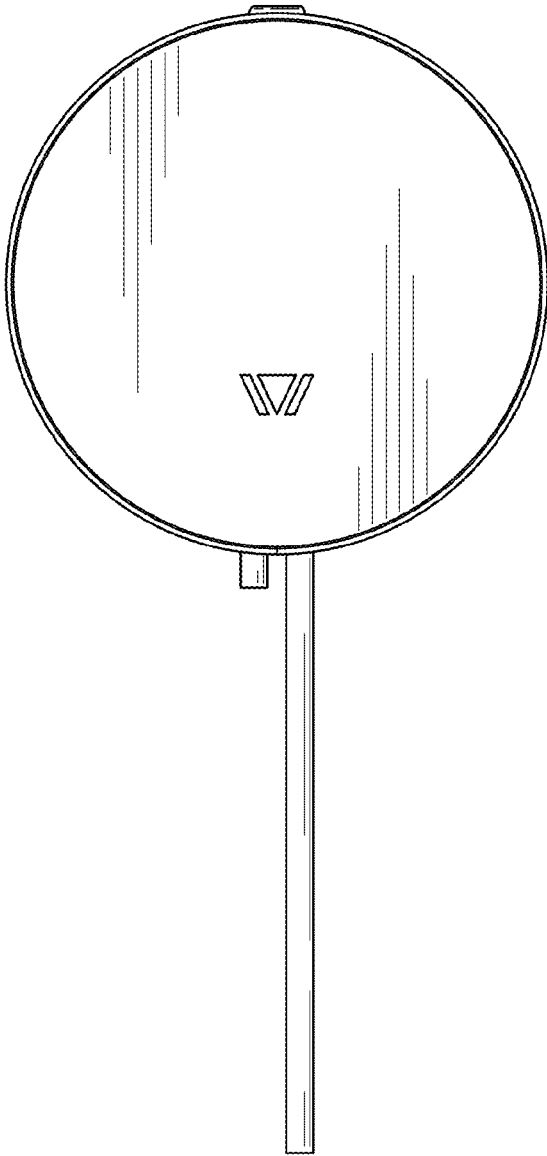


FIG. 2

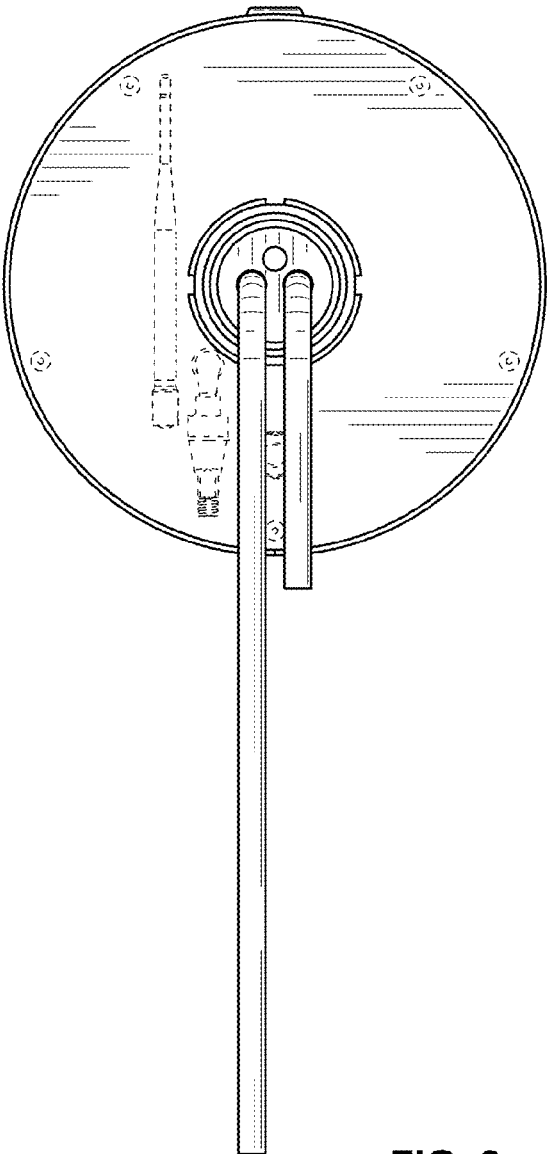


FIG. 3

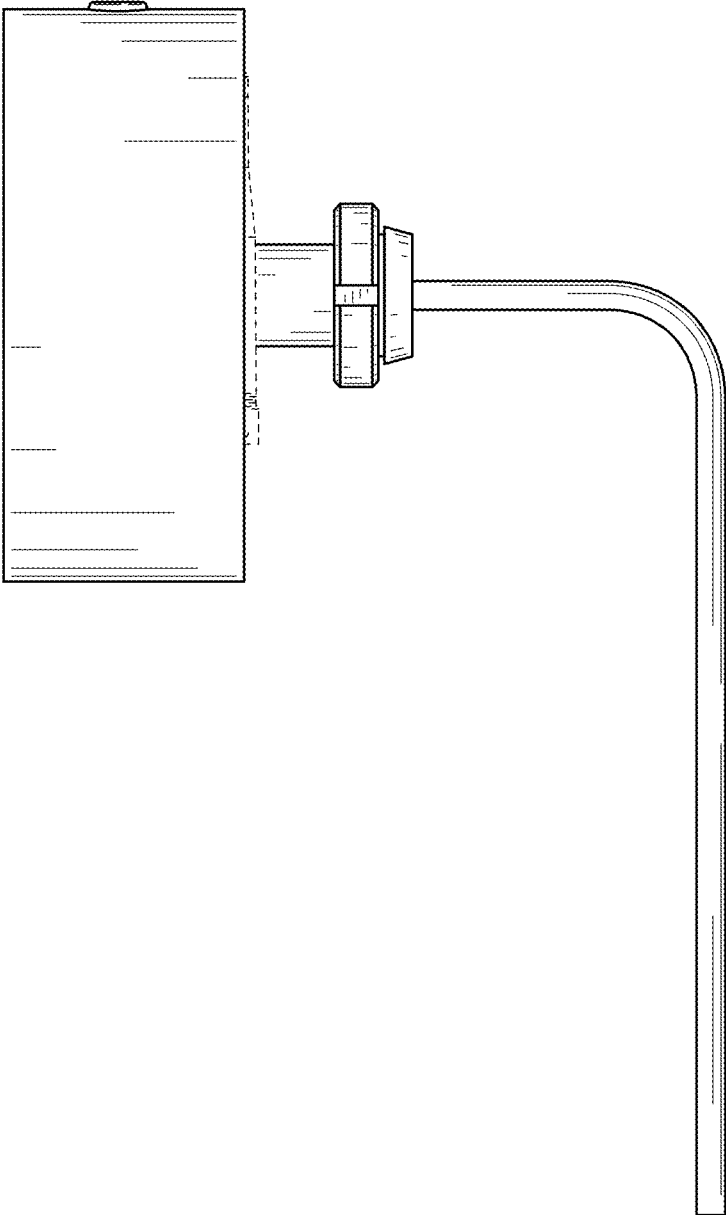


FIG. 4

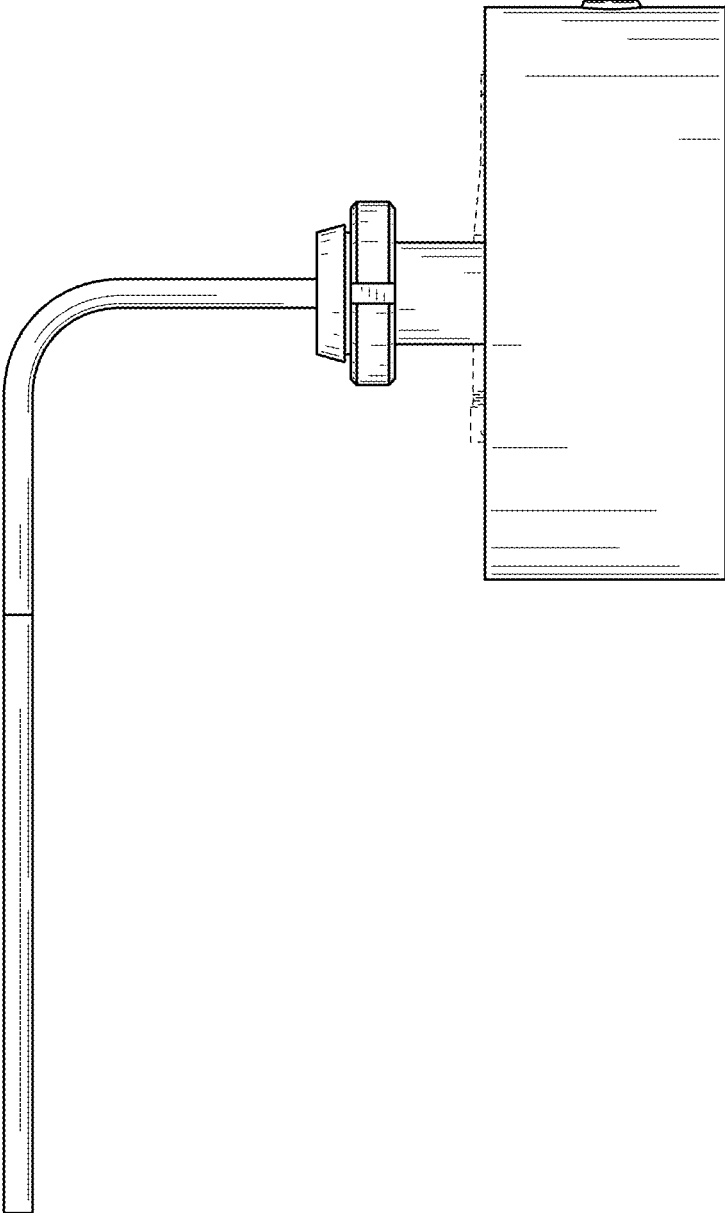


FIG. 5

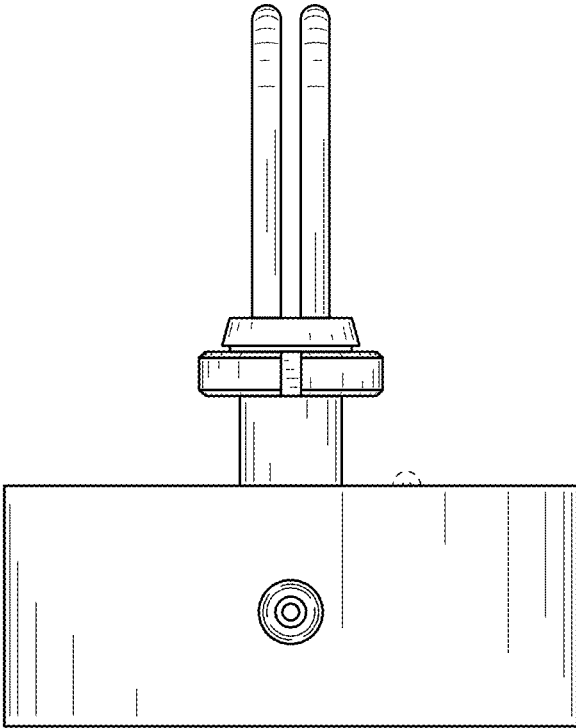


FIG. 6

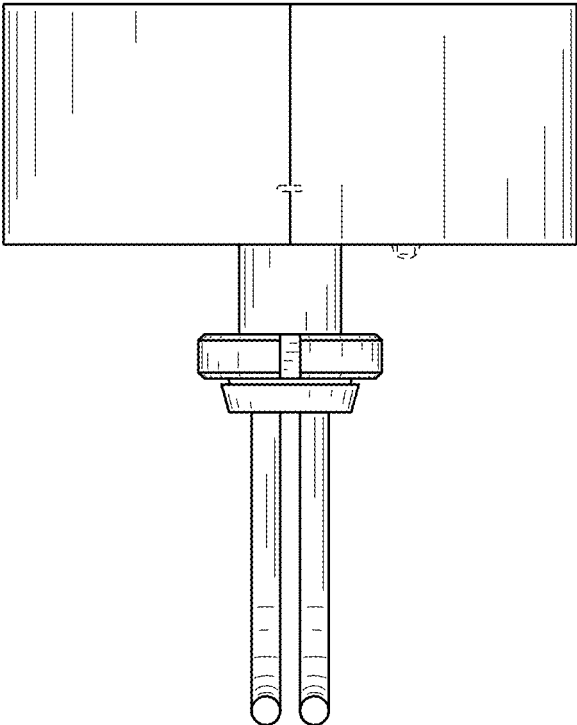


FIG. 7

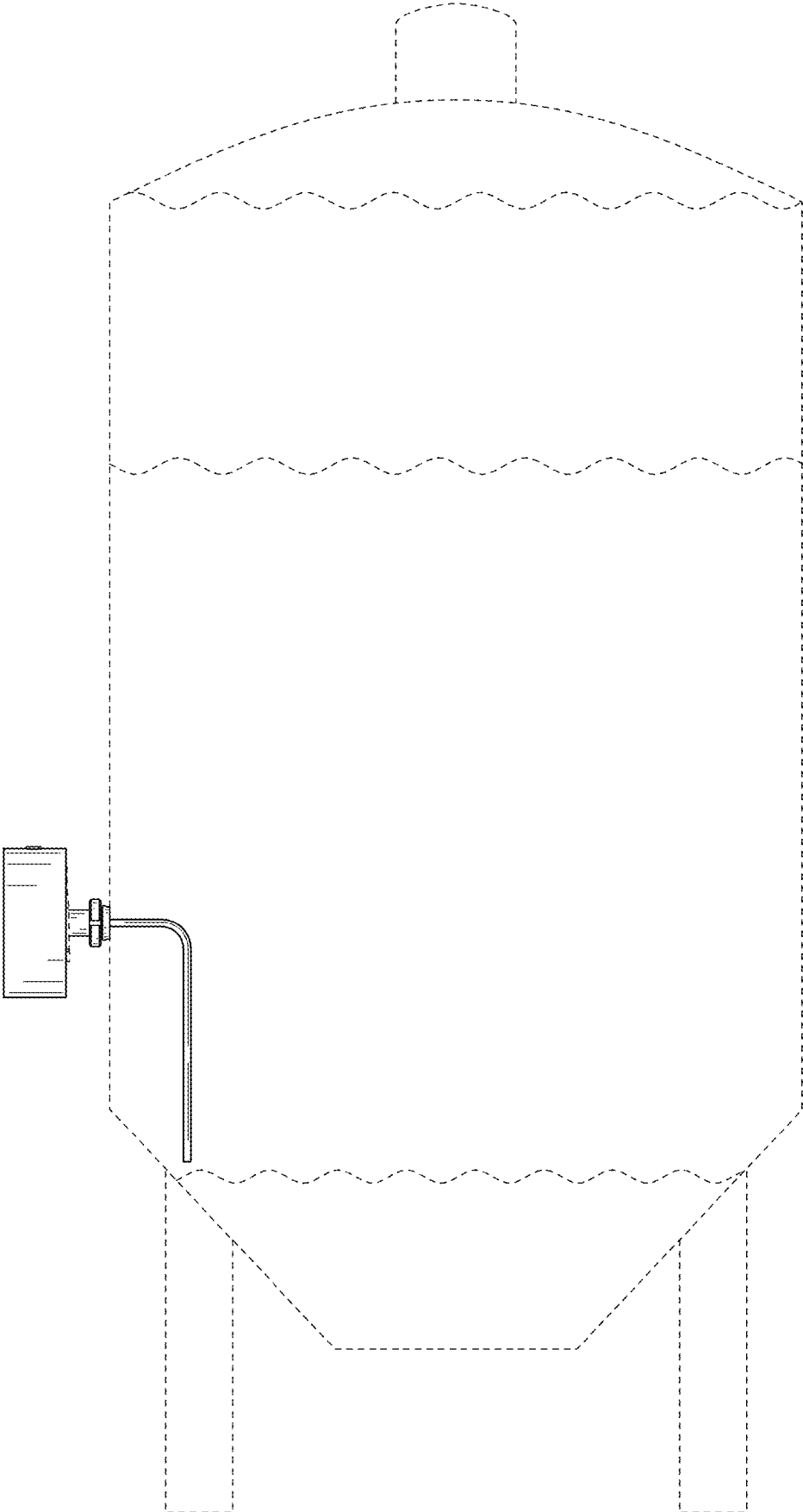


FIG. 8

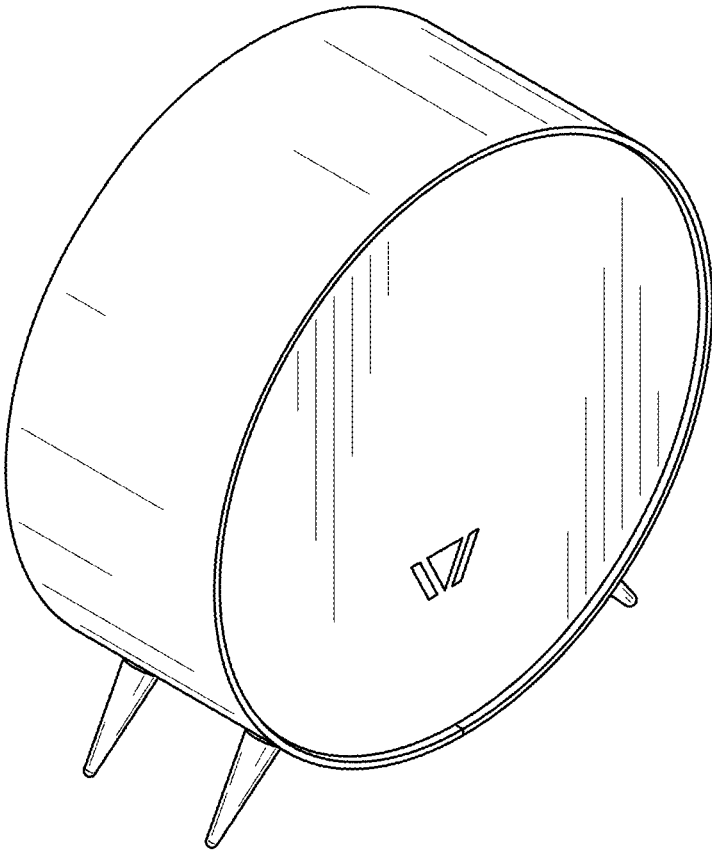


FIG. 9



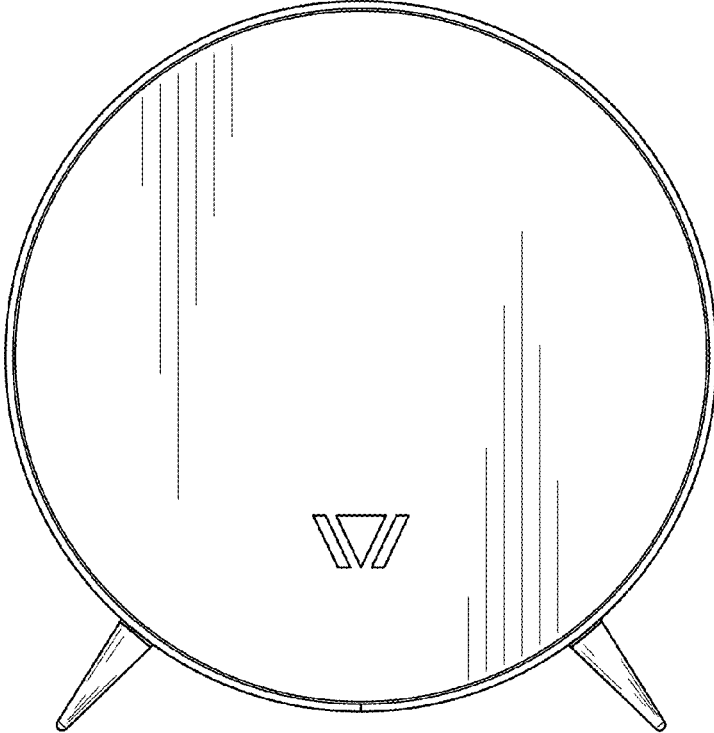


FIG. 10

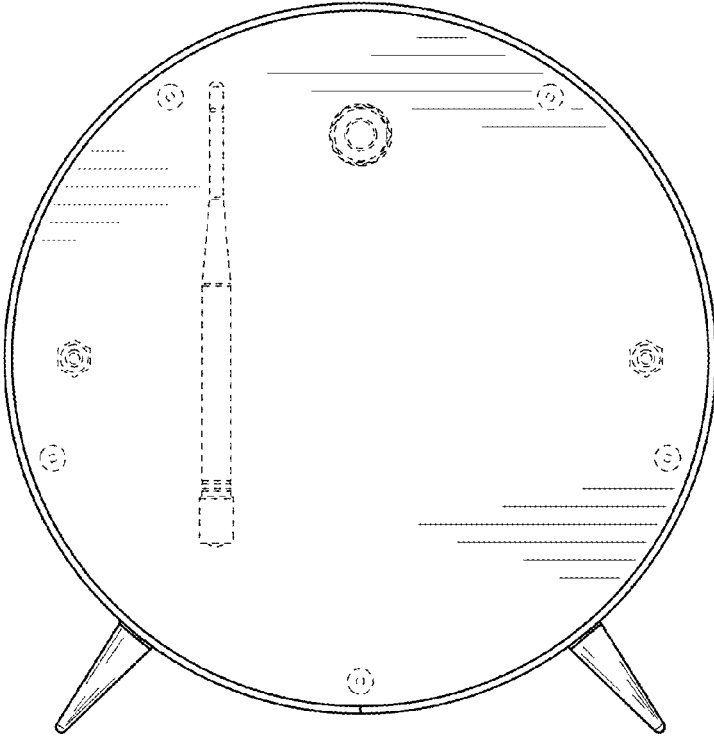


FIG. 11

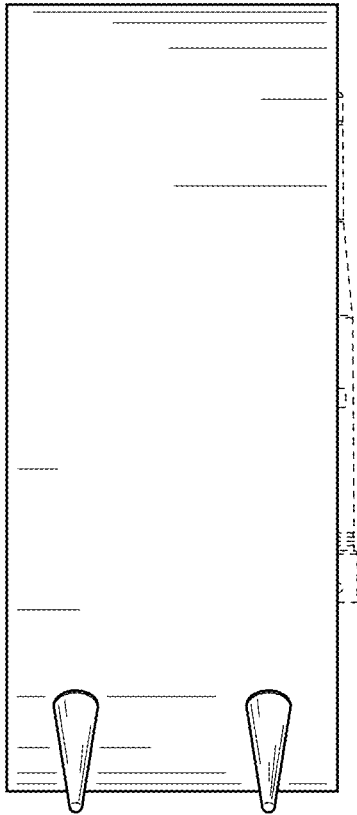


FIG. 12

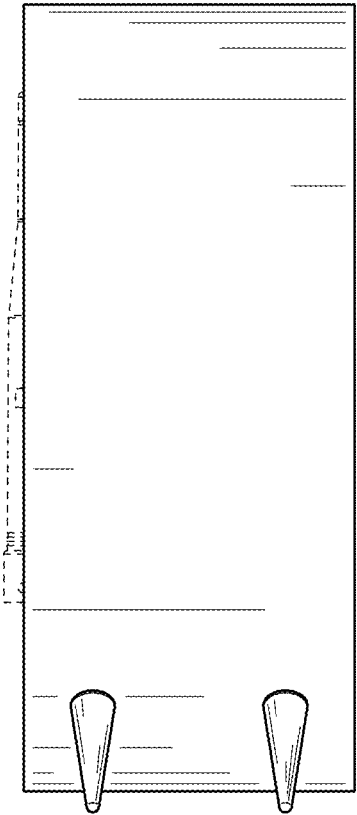


FIG. 13

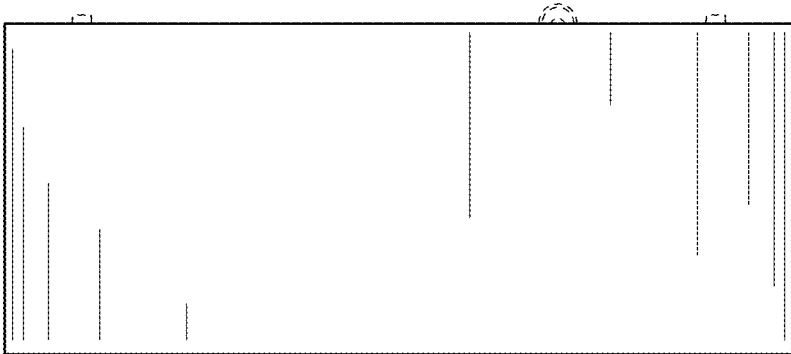


FIG. 14

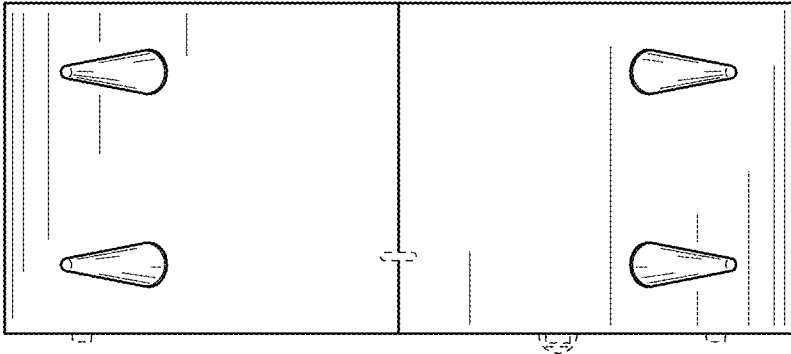


FIG. 15