

# United States Patent [19]

Muller

[11] Patent Number: Des. 295,348

[45] Date of Patent: \*\* Apr. 26, 1988

[54] OVERBED TABLE

[75] Inventor: Keith Muller, Toronto, Canada

[73] Assignee: Global Upholstery Company Limited,  
Downsview, Canada

[\*\*] Term: 14 Years

[21] Appl. No.: 802,110

[22] Filed: Nov. 25, 1985

[30] Foreign Application Priority Data

May 29, 1985 [CA] Canada ..... 2905851

[52] U.S. Cl. .... D6/406; D6/420

[58] Field of Search ..... D6/406, 480, 440, 483,  
D6/443, 419, 420; 108/5, 6, 150, 136, 149, 144

[56] References Cited

### U.S. PATENT DOCUMENTS

D. 132,098 4/1942 Corbett ..... D6/420  
D. 145,777 10/1946 Clachko ..... D6/420 X  
D. 190,082 4/1961 Chervenka ..... D6/420

D. 198,169 5/1964 Armstrong ..... D6/406  
D. 261,837 11/1981 Sonder et al. .... D6/406  
357,074 2/1887 Fee ..... 108/6  
2,357,588 9/1944 Hillenbrand ..... D6/406 X  
2,640,748 6/1953 Holmberg ..... 108/6  
3,188,986 6/1965 La Vigne ..... 108/144  
3,682,112 8/1972 Emrick ..... 108/150 X  
4,077,333 3/1978 Ballas ..... D6/406 X

Primary Examiner—Carmen H. Vales

Attorney, Agent, or Firm—Rogers, Bereskin & Parr

[57] CLAIM

The ornamental design for an overbed table, as shown and described.

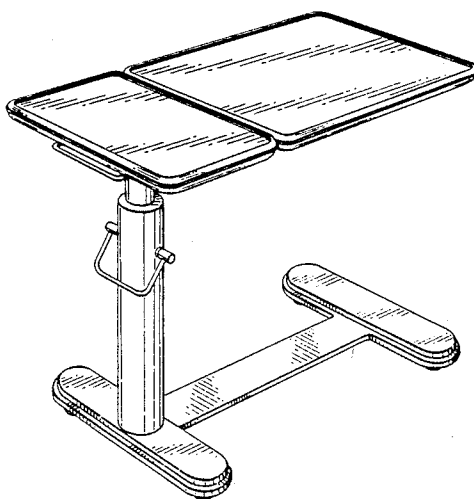
### DESCRIPTION

FIG. 1 is a top perspective view of an overbed table showing my new design;

FIG. 2 is a perspective view with the table top raised to one side;

FIG. 3 is a perspective view with the table top raised to the other side; and

FIG. 4 is a bottom perspective view of FIG. 1.



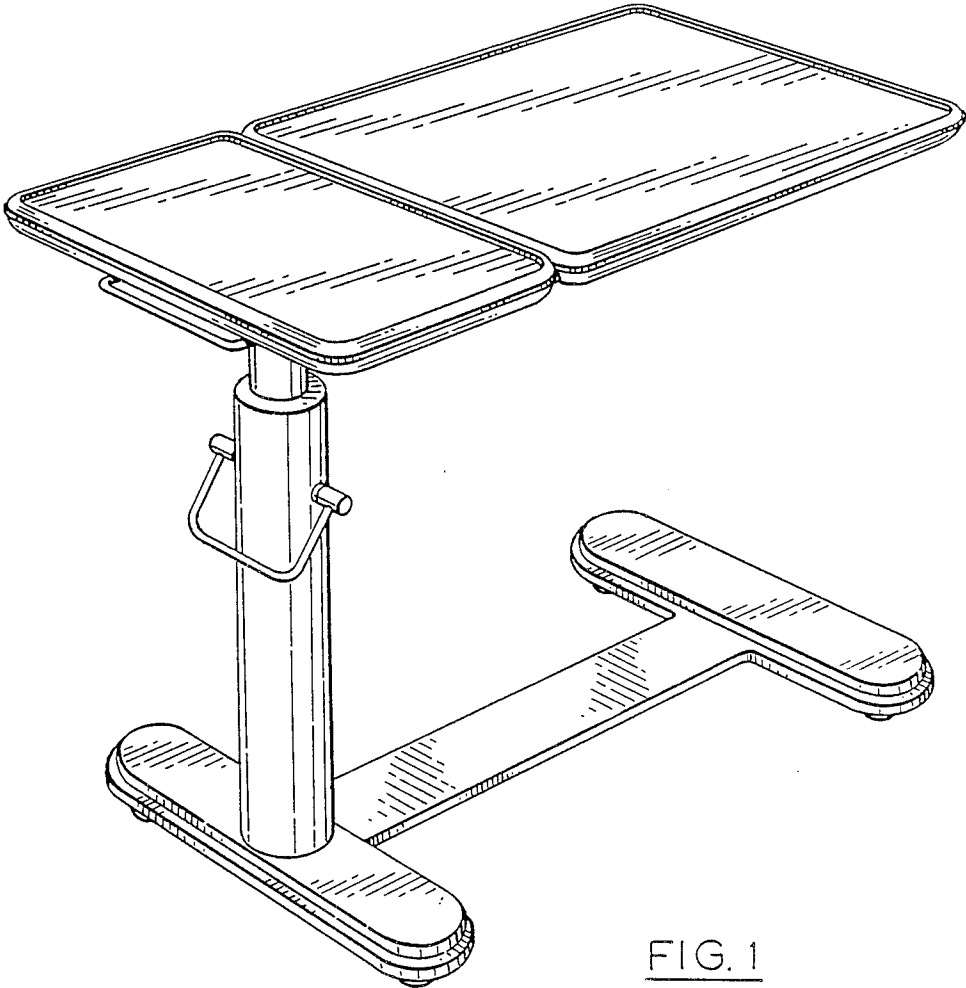


FIG. 1

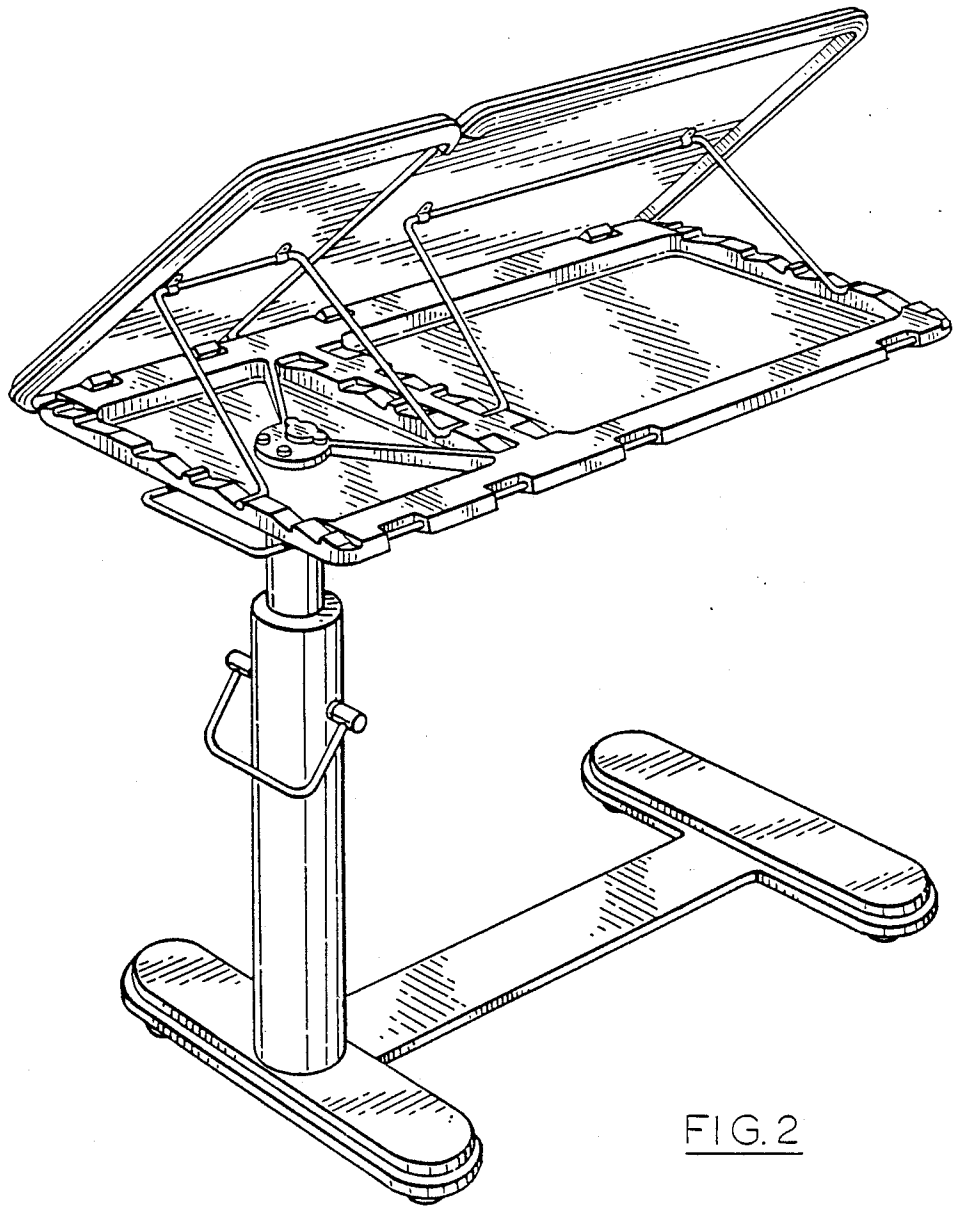


FIG. 2

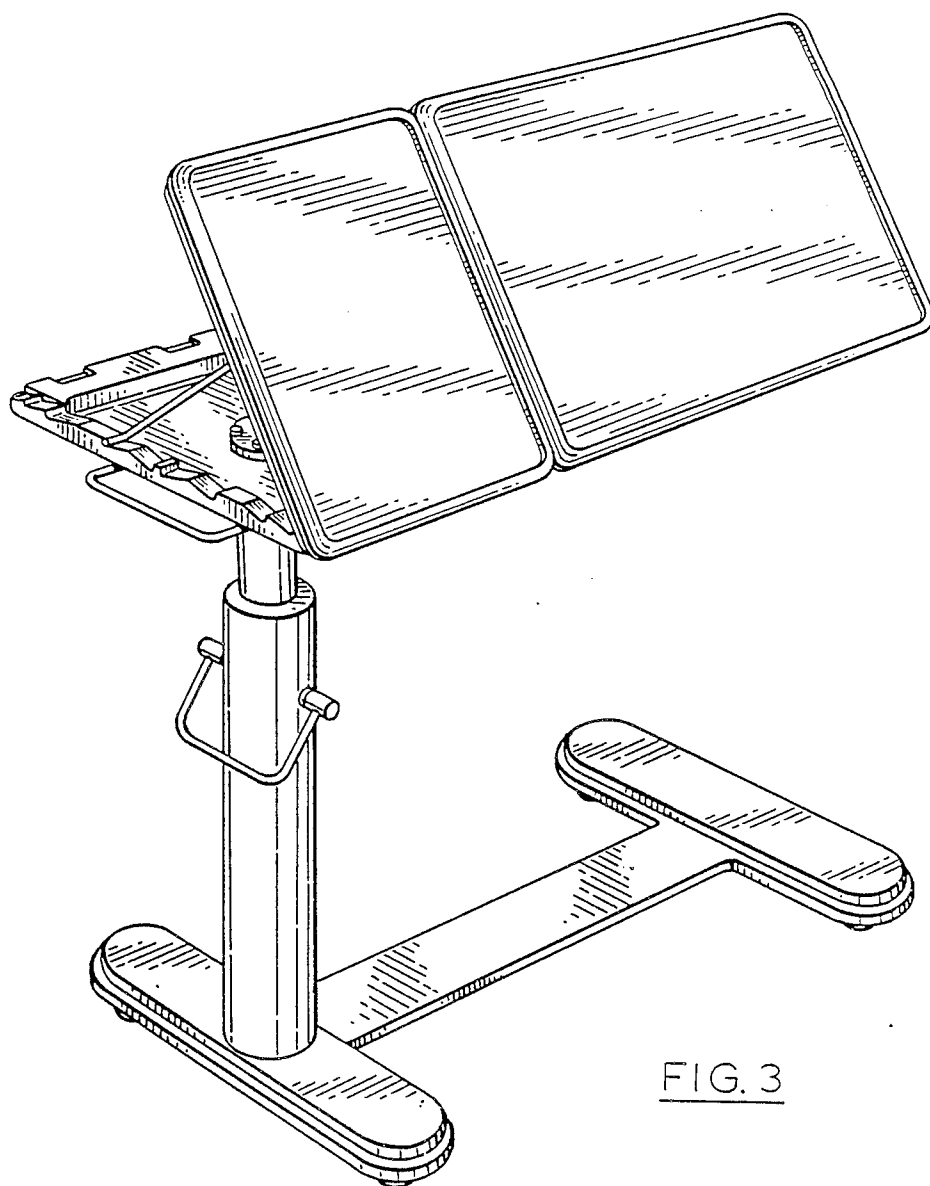


FIG. 3

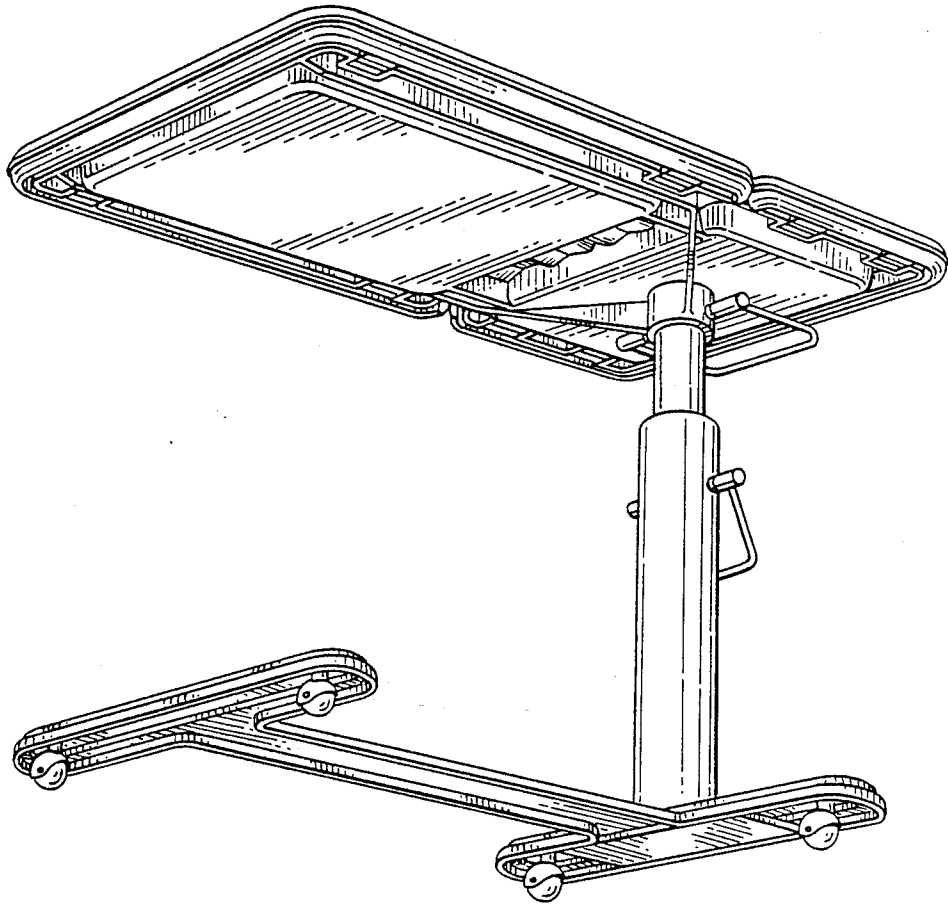


FIG. 4