



US00D976874S

(12) **United States Design Patent**
Bennett et al.

(10) **Patent No.:** **US D976,874 S**
(45) **Date of Patent:** **** Jan. 31, 2023**

(54) **EARBUD**

(71) Applicant: **Bose Corporation**, Framingham, MA (US)

(72) Inventors: **Timothy Joseph Bennett**, Worcester, MA (US); **Joshua Kevin Dryden**, Valencia, PA (US); **Alexander Decastro Calachan**, Cambridge, MA (US)

(**) Term: **15 Years**

(21) Appl. No.: **29/795,602**

(22) Filed: **Jun. 18, 2021**

(51) **LOC (14) Cl.** **14-01**

(52) **U.S. Cl.**
USPC **D14/223**

(58) **Field of Classification Search**
USPC D14/223, 205, 206; D24/174, 217, 218; 128/864, 865, 866; 181/129, 130, 135; 379/430, 431; 381/380, 381, 322-324, 381/330; 455/90.3, 575, 1, 569.1; D9/415, 432, 721; D3/274, 294; D13/108
CPC H04R 1/10; H04R 25/00; H04R 1/1016; H04R 1/1066; H04R 5/033; H04R 5/0335; H04R 1/1091; H04R 1/1058; H04R 1/105; H04R 1/1083
See application file for complete search history.

(56) **References Cited**

U.S. PATENT DOCUMENTS

D880,457 S * 4/2020 Zhu D14/223
D892,086 S * 8/2020 Bonahoom D14/223
D892,087 S * 8/2020 Briggs D14/223
D902,184 S * 11/2020 Yang D14/223

D906,295 S * 12/2020 Zheng D14/223
D908,667 S * 1/2021 He D14/223
D912,016 S * 3/2021 Ando D14/223
D920,288 S * 5/2021 Vautour D14/223
D924,848 S * 7/2021 Yang D14/223
D924,849 S * 7/2021 Yang D14/223
D930,617 S * 9/2021 Tanaka D14/223
D954,026 S * 6/2022 Sasaki D14/223
D959,411 S * 8/2022 Ando D14/223

* cited by examiner

Primary Examiner — Katie Jane Stofko

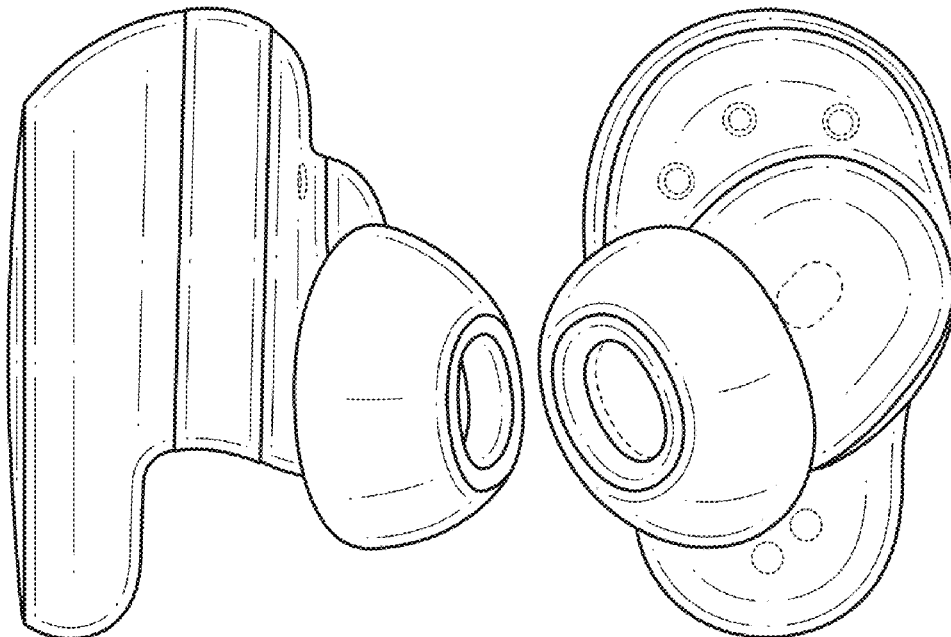
(57) **CLAIM**

The ornamental design for earbud, substantially as shown and described.

DESCRIPTION

FIG. 1 is a perspective view of an earbud as seen from the rear, top, and left side;
FIG. 2 is a left side view thereof;
FIG. 3 is a front view thereof;
FIG. 4 is a right side view thereof;
FIG. 5 is a rear view thereof;
FIG. 6 is a top view thereof; and
FIG. 7 is a bottom view thereof.
FIG. 8 is a perspective view of a second implementation of an earbud as seen from the rear, top, and left side;
FIG. 9 is a left side view thereof;
FIG. 10 is a front view thereof;
FIG. 11 is a right side view thereof;
FIG. 12 is a rear view thereof;
FIG. 13 is a top view thereof; and
FIG. 14 is a bottom view thereof.
The broken lines illustrate portions of the earbud and form no part of the claimed design.

1 Claim, 4 Drawing Sheets



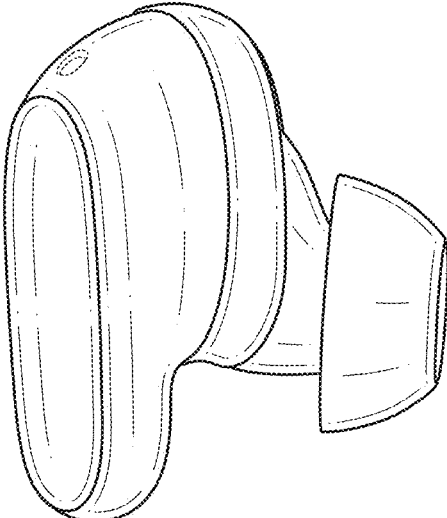


FIG. 1

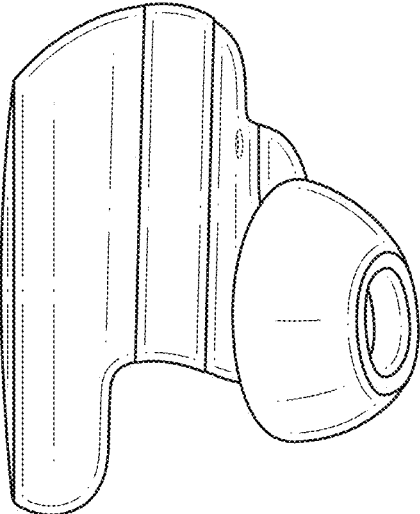


FIG. 2

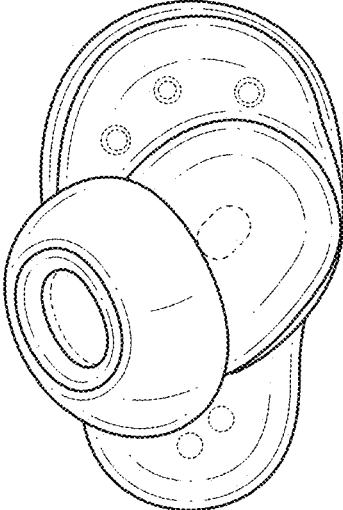


FIG. 3

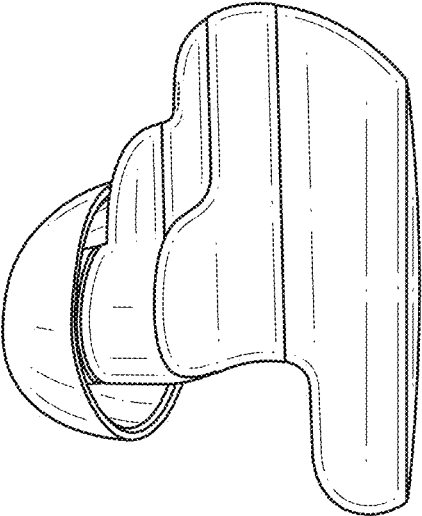


FIG. 4

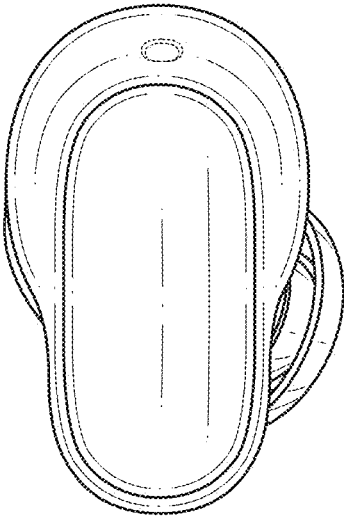


FIG. 5

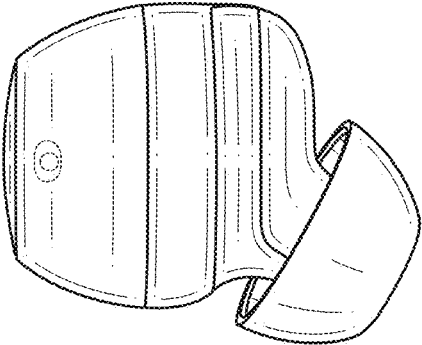


FIG. 6

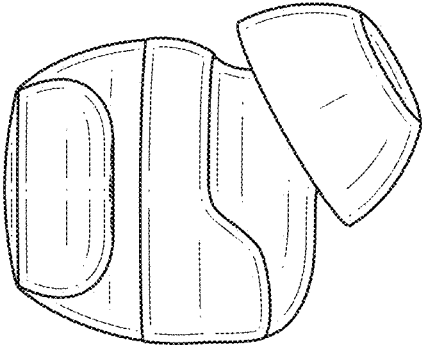


FIG. 7

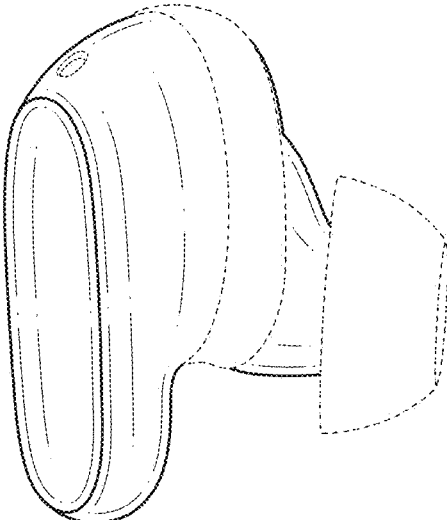


FIG. 8

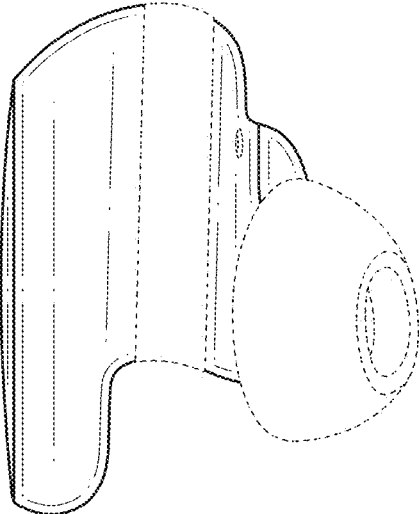


FIG. 9

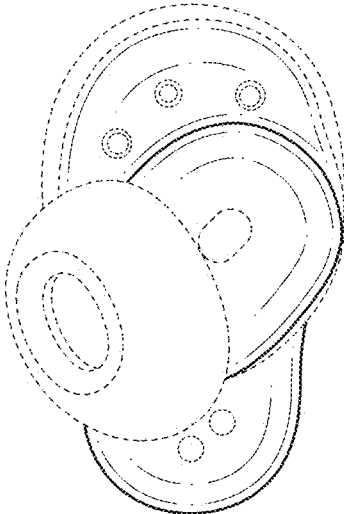


FIG. 10

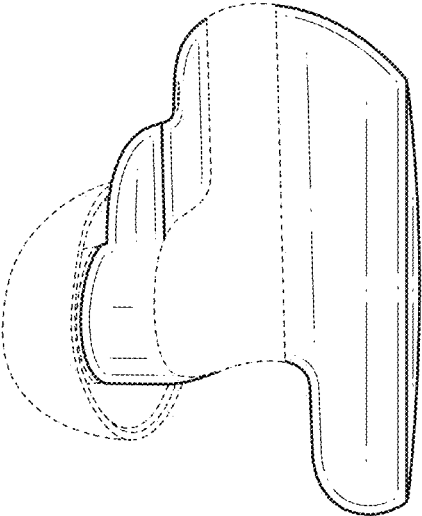


FIG. 11

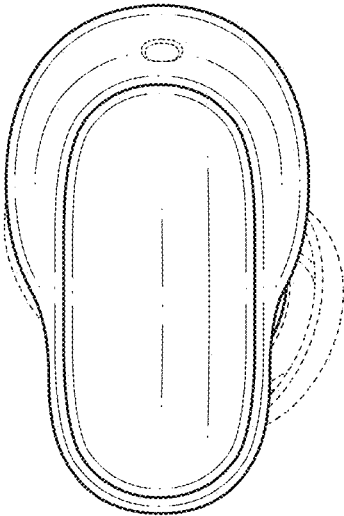


FIG. 12

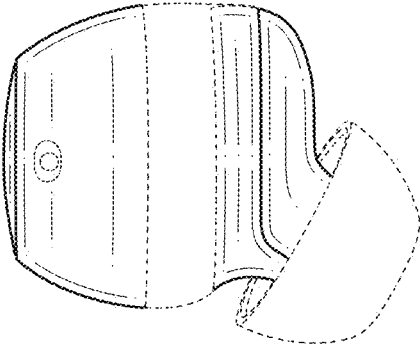


FIG. 13

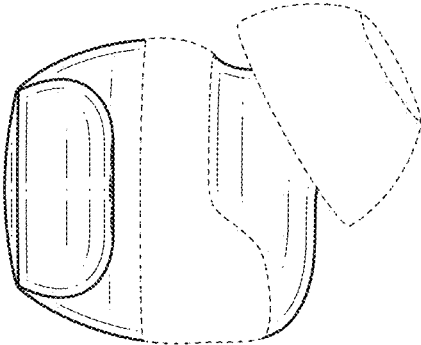


FIG. 14