

(19) World Intellectual Property Organization
International Bureau



(43) International Publication Date
18 October 2007 (18.10.2007)

PCT

(10) International Publication Number
WO 2007/117767 A3

(51) International Patent Classification:
B29C 59/02 (2006.01)

(21) International Application Number:
PCT/US2007/062310

(22) International Filing Date:
16 February 2007 (16.02.2007)

(25) Filing Language: English

(26) Publication Language: English

(30) Priority Data:
11/391,051 28 March 2006 (28.03.2006) US

(71) Applicant and

(72) Inventor: SCHUMAIER, Daniel R. [US/US]; 1548 Blue Springs Road, Elizabethton, Tennessee 37643 (US).

(74) Agent: CROCKETT, Mark, P.; Luedeka, Neely & Graham, P.C., P.O. Box 1871, Knoxville, TN 37901 (US).

(81) Designated States (unless otherwise indicated, for every kind of national protection available): AE, AG, AL, AM,

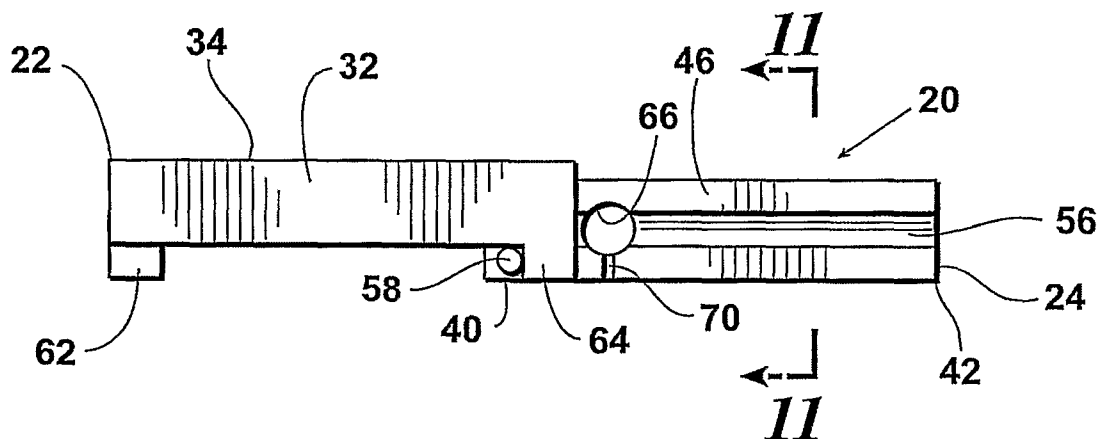
AT, AU, AZ, BA, BB, BG, BR, BW, BY, BZ, CA, CH, CN, CO, CR, CU, CZ, DE, DK, DM, DZ, EC, EE, EG, ES, FI, GB, GD, GE, GH, GM, GT, HN, HR, HU, ID, IL, IN, IS, JP, KE, KG, KM, KN, KP, KR, KZ, LA, LC, LK, LR, LS, LT, LU, LV, LY, MA, MD, MG, MK, MN, MW, MX, MY, MZ, NA, NG, NI, NO, NZ, OM, PG, PH, PL, PT, RO, RS, RU, SC, SD, SE, SG, SK, SL, SM, SV, SY, TJ, TM, TN, TR, TT, TZ, UA, UG, US, UZ, VC, VN, ZA, ZM, ZW.

(84) Designated States (unless otherwise indicated, for every kind of regional protection available): ARIPO (BW, GH, GM, KE, LS, MW, MZ, NA, SD, SL, SZ, TZ, UG, ZM, ZW), Eurasian (AM, AZ, BY, KG, KZ, MD, RU, TJ, TM), European (AT, BE, BG, CH, CY, CZ, DE, DK, EE, ES, FI, FR, GB, GR, HU, IE, IS, IT, LT, LU, LV, MC, NL, PL, PT, RO, SE, SI, SK, TR), OAPI (BF, BJ, CF, CG, CI, CM, GA, GN, GQ, GW, ML, MR, NE, SN, TD, TG).

Published:
— with international search report
— before the expiration of the time limit for amending the claims and to be republished in the event of receipt of amendments

(88) Date of publication of the international search report:
21 February 2008

(54) Title: EARPLUG SHAPER AND METHOD OF USE



(57) Abstract: An earplug shaping device (20) shapes a compressible earplug P prior to insertion of the earplug P into a user's ear canal. The device (20) includes upper and lower structural elements (22, 24) which slidmngly engage one another. Each of the upper and lower structural elements (22, 24) include a shaping surface (38, 52). The shaping surfaces (38, 52) oppose one another and are inclined relative to one another. Various embodiments of the earplug shaper (20) employ a slot (170) in communication with a receiver (168) which allows for the shaping of earplugs P attached to a cord C.

WO 2007/117767 A3

INTERNATIONAL SEARCH REPORT

International application No.
PCT/US 07/62310

A. CLASSIFICATION OF SUBJECT MATTER
IPC(8) - B29C 59/02 (2007.01)
USPC - 264/320
According to International Patent Classification (IPC) or to both national classification and IPC

B. FIELDS SEARCHED
Minimum documentation searched (classification system followed by classification symbols)
IPC(8) - B29C 59/02 (2007.01)
USPC - 264/320

Documentation searched other than minimum documentation to the extent that such documents are included in the fields searched
USPC: 264/320, 319, 299;
128/864; - text word limited -see below

Electronic data base consulted during the international search (name of data base and, where practicable, search terms used)
PubWEST(USPT,PGPB,EPAB,JPAB); Google Scholar
Search Terms Used: earplug, compression device, compress, roll down, earplug training device, prepare earplug, textured

C. DOCUMENTS CONSIDERED TO BE RELEVANT

| Category* | Citation of document, with indication, where appropriate, of the relevant passages | Relevant to claim No. |
|-----------|---|-----------------------|
| X | US 5,195,539 A (DYRUD et al.) 23 March 1993 (23.03.1993) Entire document, especially FIG. 2, FIG. 3 and col 5, ln 1-20. | 1, 3-12 and 14-17 |
| Y | | 2 and 13 |
| Y | US 5,609,164 A (DYRUD et al.) 11 March 1997 (11.03.1997) FIG. 7 and col 4, ln 2-4. | 2 and 13 |

Further documents are listed in the continuation of Box C.

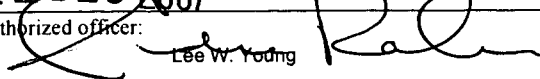
* Special categories of cited documents:

| | |
|---|--|
| "A" document defining the general state of the art which is not considered to be of particular relevance | "T" later document published after the international filing date or priority date and not in conflict with the application but cited to understand the principle or theory underlying the invention |
| "E" earlier application or patent but published on or after the international filing date | "X" document of particular relevance; the claimed invention cannot be considered novel or cannot be considered to involve an inventive step when the document is taken alone |
| "L" document which may throw doubts on priority claim(s) or which is cited to establish the publication date of another citation or other special reason (as specified) | "Y" document of particular relevance; the claimed invention cannot be considered to involve an inventive step when the document is combined with one or more other such documents, such combination being obvious to a person skilled in the art |
| "O" document referring to an oral disclosure, use, exhibition or other means | "&" document member of the same patent family |
| "P" document published prior to the international filing date but later than the priority date claimed | |

Date of the actual completion of the international search
24 October 2007 (24.10.2007)

Date of mailing of the international search report
11 DEC 2007

Name and mailing address of the ISA/US
Mail Stop PCT, Attn: ISA/US, Commissioner for Patents
P.O. Box 1450, Alexandria, Virginia 22313-1450
Facsimile No. 571-273-3201

Authorized officer:

Lee W. Young
PCT Helpdesk: 571-272-4300
PCT OSP: 571-272-7774