



US00D885134S

(12) **United States Design Patent**  
**Bodum**

(10) **Patent No.:** **US D885,134 S**

(45) **Date of Patent:** **\*\* \*May 26, 2020**

- (54) **GLASS**
- (71) Applicant: **PI-Design AG**, Triengen (CH)
- (72) Inventor: **Jorgen Bodum**, Meggen (CH)
- (73) Assignee: **PI-Design AG**, Triengen (CH)
- (\* ) Notice: This patent is subject to a terminal disclaimer.

D553,437 S *	10/2007	Bodum	.....	D7/509
D568,103 S *	5/2008	Bodum	.....	D7/509
D577,253 S *	9/2008	Bodum	.....	D7/399
D581,739 S *	12/2008	Bodum	.....	D7/509
D613,624 S *	4/2010	Bodum	.....	D10/46.2
D622,104 S *	8/2010	Ross	.....	D7/523
D670,836 S *	11/2012	Hisey	.....	26/22
D745,324 S *	12/2015	Malaspino	.....	D7/523
D748,944 S *	2/2016	Ross	.....	D7/536
D800,503 S *	10/2017	Notheis	.....	D7/523
D817,101 S *	5/2018	Kestenbaum	.....	D7/536
D846,948 S *	4/2019	Chin	.....	D7/510

(\*\*) Term: **15 Years**

(21) Appl. No.: **29/649,145**

(22) Filed: **May 26, 2018**

(30) **Foreign Application Priority Data**

Dec. 27, 2017 (WO) ..... DM/099151

(51) **LOC (12) Cl.** ..... **07-01**

(52) **U.S. Cl.**  
USPC ..... **D7/523; D7/509**

(58) **Field of Classification Search**  
USPC ..... D7/523, 532, 524, 509; D11/143, 144;  
D9/424, 428; D6/403, 405  
CPC . A01G 9/00; A01G 9/02; A01G 9/021; A01G  
9/022; A01G 9/024; A47G 19/22; A47G  
19/2205; A47G 7/00; A47G 7/02; A47G  
7/06

See application file for complete search history.

(56) **References Cited**

**U.S. PATENT DOCUMENTS**

D47,354 S *	5/1915	Anderson	.....	D7/523
2,012,113 A *	8/1935	Thompson	.....	A47G 19/2205 215/363
D508,594 S *	8/2005	Snell	.....	D34/1
D526,848 S	8/2006	Bodum		
D538,598 S *	3/2007	Haataja	.....	D7/523

**OTHER PUBLICATIONS**

Select portions of Bodum Collection Catalogue, Jan. 2017, 3 pages.  
PI-Design AG, U.S. Appl. No. 29/649,143, filed May 26, 2018.  
PI-Design AG, U.S. Appl. No. 29/649,144, filed May 26, 2018.  
PI-Design AG, U.S. Appl. No. 29/649,146, filed May 26, 2018.

\* cited by examiner

*Primary Examiner* — Derrick E Holland

*Assistant Examiner* — Andrew Kerr

(74) *Attorney, Agent, or Firm* — McDonnell Boehnen

Hulbert & Berghoff LLP

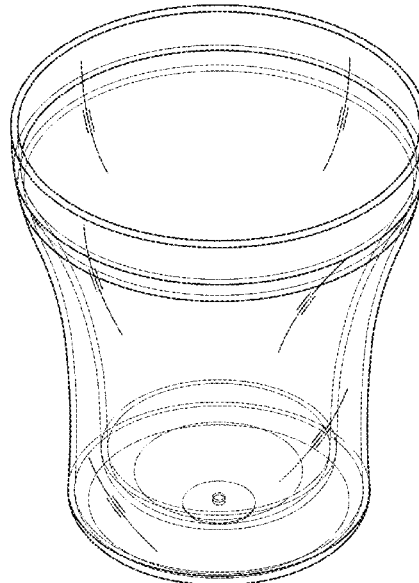
(57) **CLAIM**

The ornamental design for a glass, as shown and described.

**DESCRIPTION**

FIG. 1 is a perspective view of a glass showing my new design;  
FIG. 2 is a front view thereof;  
FIG. 3 is a rear view thereof;  
FIG. 4 is a left side view thereof;  
FIG. 5 is a right side view thereof;  
FIG. 6 is a top view thereof; and,  
FIG. 7 is a bottom view thereof.

**1 Claim, 7 Drawing Sheets**



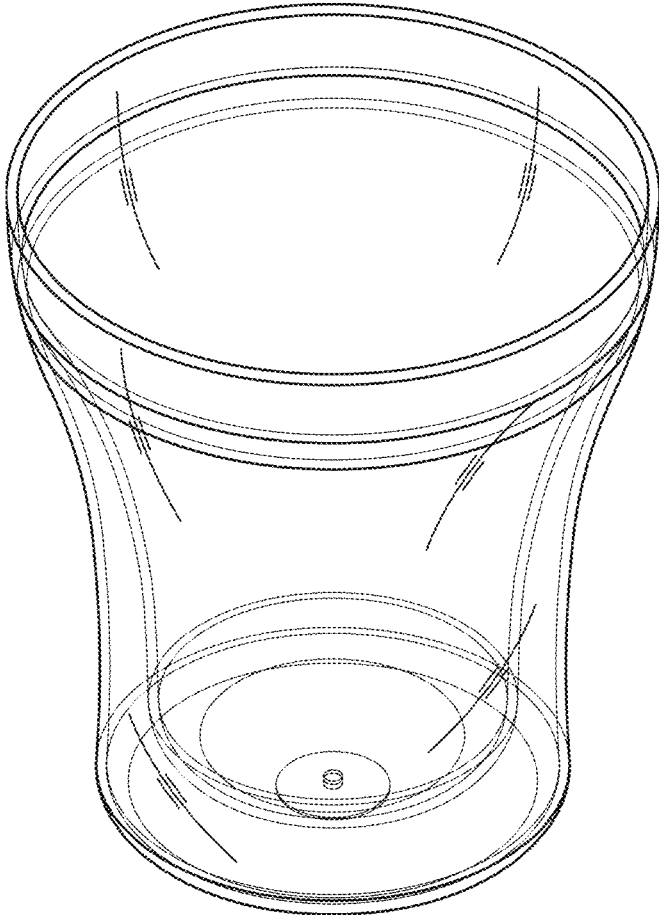


FIG. 1

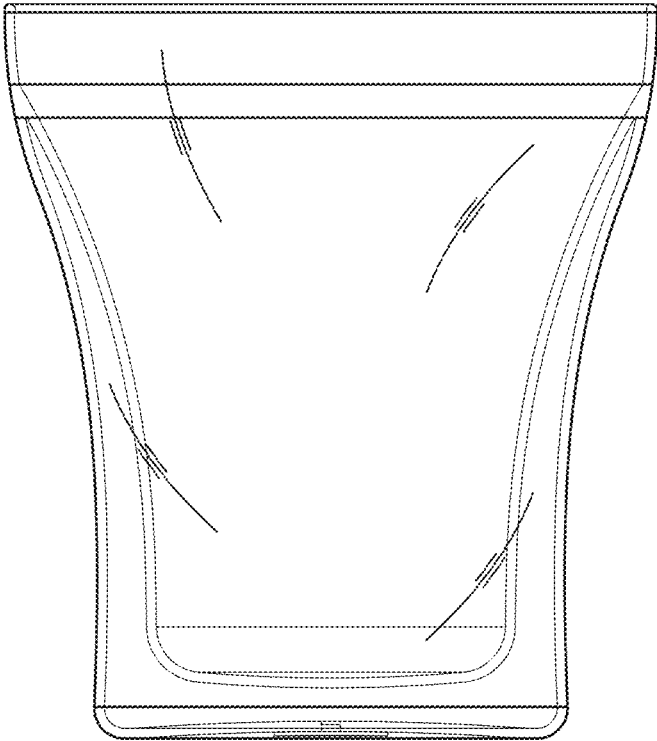


FIG. 2

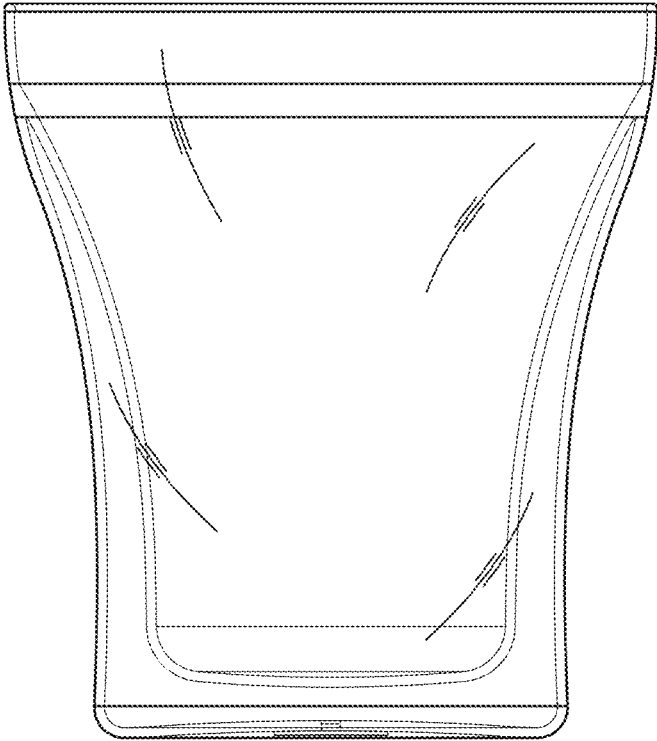


FIG. 3

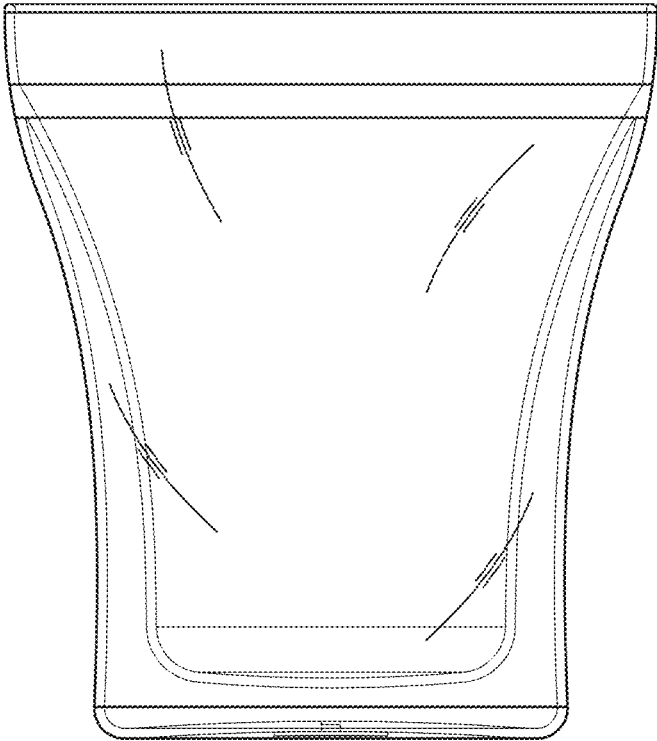


FIG. 4

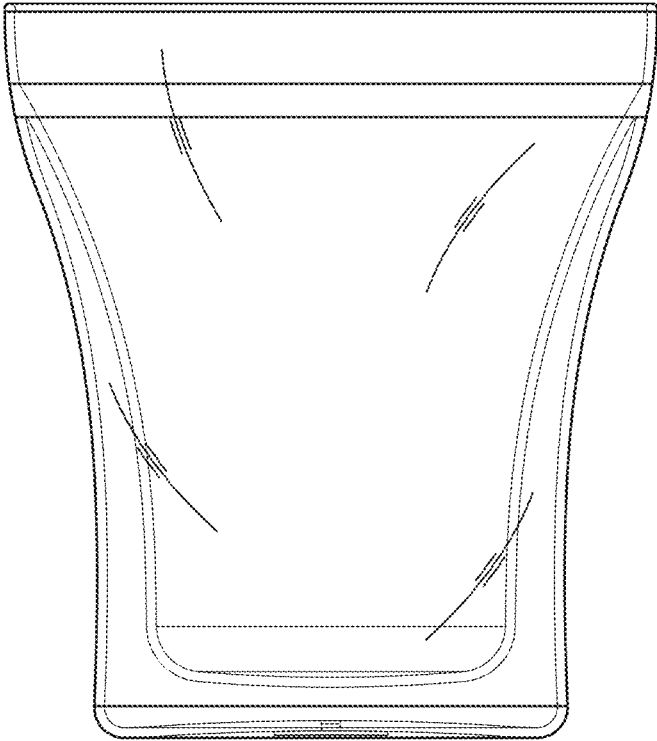


FIG. 5

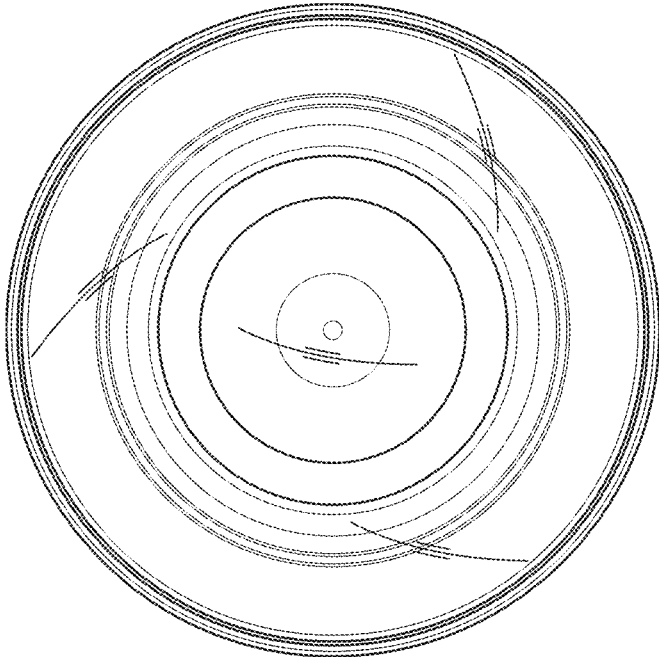


FIG. 6

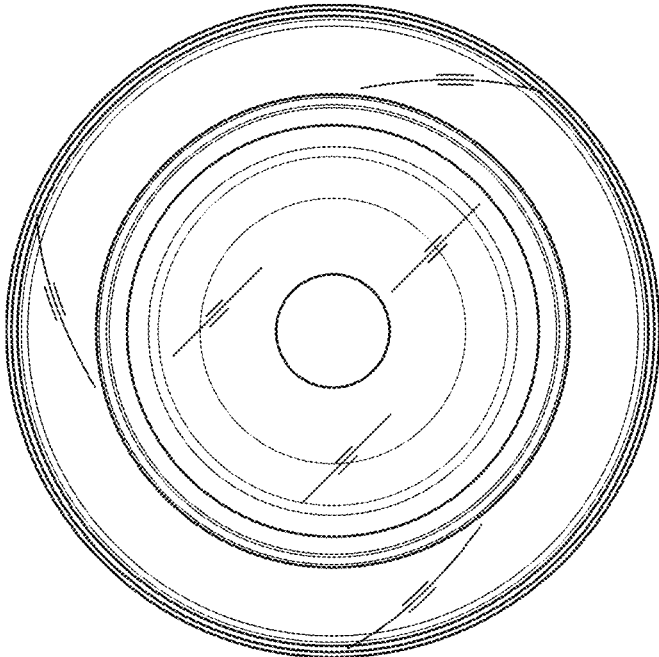


FIG. 7