



US00D713163S

(12) **United States Design Patent**
Pedersen et al.

(10) **Patent No.:** **US D713,163 S**

(45) **Date of Patent:** **** Sep. 16, 2014**

(54) **CHAIR**

(71) Applicant: **Target Brands, Inc.**, Minneapolis, MN (US)

(72) Inventors: **Sara L. Pedersen**, Minneapolis, MN (US); **Chad M. Bogdan**, St. Paul, MN (US); **Zachary S. Bloch**, Minneapolis, MN (US); **Kirk E. Morris**, Minneapolis, MN (US); **Katherine R. Wittenberg**, St. Paul, MN (US); **George K. Smithwick**, Blaine, MN (US)

(73) Assignee: **Target Brands, Inc.**, Minneapolis, MN (US)

(**) Term: **14 Years**

(21) Appl. No.: **29/489,475**

(22) Filed: **Apr. 30, 2014**

(51) **LOC (10) Cl.** **06-01**

(52) **U.S. Cl.**
USPC **D6/370**

(58) **Field of Classification Search**
CPC A47C 4/08; A47C 4/12; A47C 4/16; A47C 1/026; A47C 4/02; A47C 4/03; A47C 7/16; A47C 7/22
USPC D6/334-336, 368, 370, 374, 379, 380, D6/716, 716.1, 716.2, 716.3, 716.4; 297/31, 377, 411.43, 440.15, 445.1, 297/452.63

See application file for complete search history.

(56) **References Cited**

U.S. PATENT DOCUMENTS

D66,525 S 1/1925 Wurdack et al.
D68,027 S 8/1925 Wurdack
D78,926 S * 7/1929 Gottlos D6/370
D84,585 S 7/1931 Ledder et al.
D109,239 S 4/1938 Wolpin

2,222,296 A 11/1940 Luiken
2,385,072 A 9/1945 Gray
D148,391 S * 1/1948 Plourde et al. D6/370
2,490,884 A 12/1949 Rau
2,600,626 A 6/1952 Ellingson
2,650,652 A 9/1953 Watson
4,635,998 A 1/1987 Hickey
D295,927 S 5/1988 Hickey
4,976,492 A 12/1990 Ziegler
5,120,071 A 6/1992 Thibault et al.
D334,299 S 3/1993 Embree
D350,860 S 9/1994 Greeson
D371,466 S * 7/1996 Boisson D6/370
5,911,469 A 6/1999 Young
D413,452 S 9/1999 Rhienen
D413,736 S 9/1999 Jackson

(Continued)

OTHER PUBLICATIONS

3 D Furniture Design, "Adirondack Chair," <http://www.3dfurnituredesign.com/Chair/adirondack%20chair.jpg>, at least as early as Jul. 2010, 1 page.

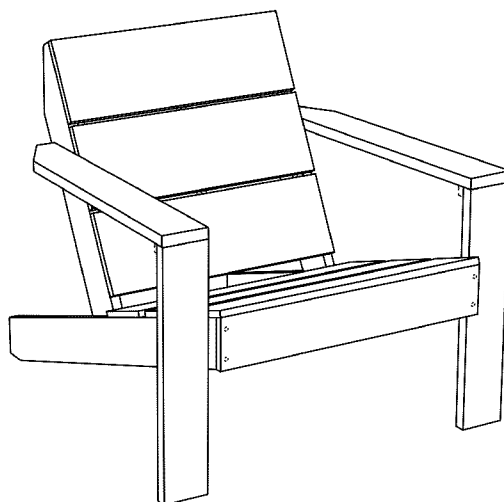
Primary Examiner — Mimosa De
(74) *Attorney, Agent, or Firm* — Leanne Taveggia Farrell; Westman, Champlin & Koehler, P.A.

(57) **CLAIM**
The ornamental design for a chair, as shown and described.

DESCRIPTION

FIG. 1 is a perspective view of a chair;
FIG. 2 is a front view thereof;
FIG. 3 is a back view thereof;
FIG. 4 is a right side view thereof;
FIG. 5 is a left side view thereof;
FIG. 6 is a top view thereof; and,
FIG. 7 is a bottom view thereof.
The broken lines shown in the drawings are included for purposes of illustrating portions of the chair and form no part of the claimed design.

1 Claim, 5 Drawing Sheets



(56)

References Cited

U.S. PATENT DOCUMENTS

D425,719 S 5/2000 Chalmers et al.
D509,970 S 9/2005 Adams
D570,127 S 6/2008 Spink

7,401,854 B2 7/2008 Adams
D607,223 S 1/2010 Adams et al.
D646,071 S * 10/2011 Bogdan et al. D6/370
D687,234 S 8/2013 Pedersen et al.

* cited by examiner

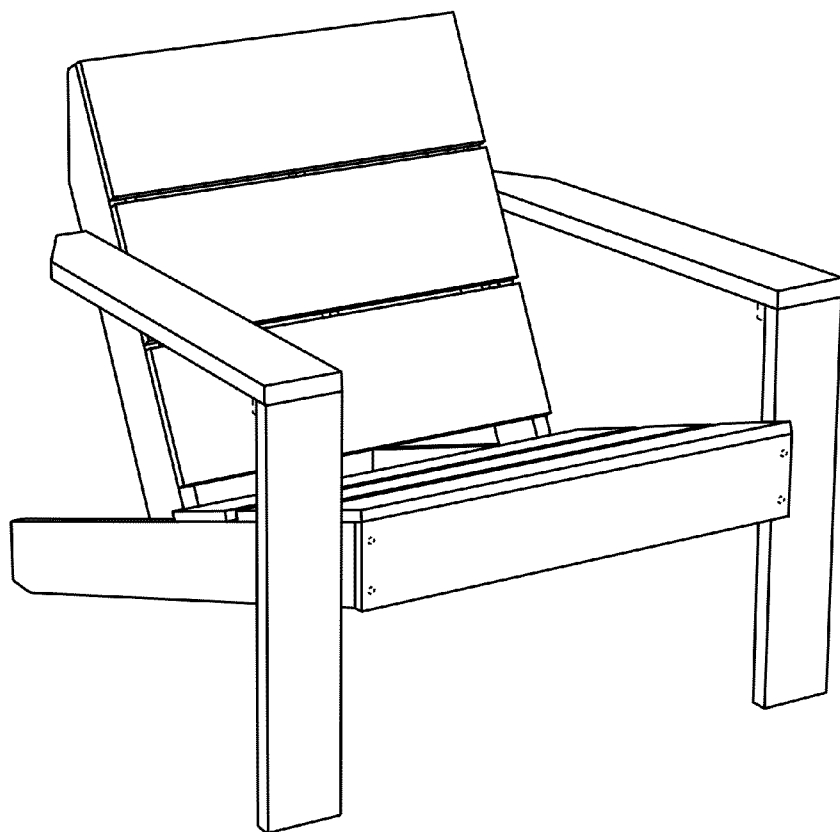


Fig. 1

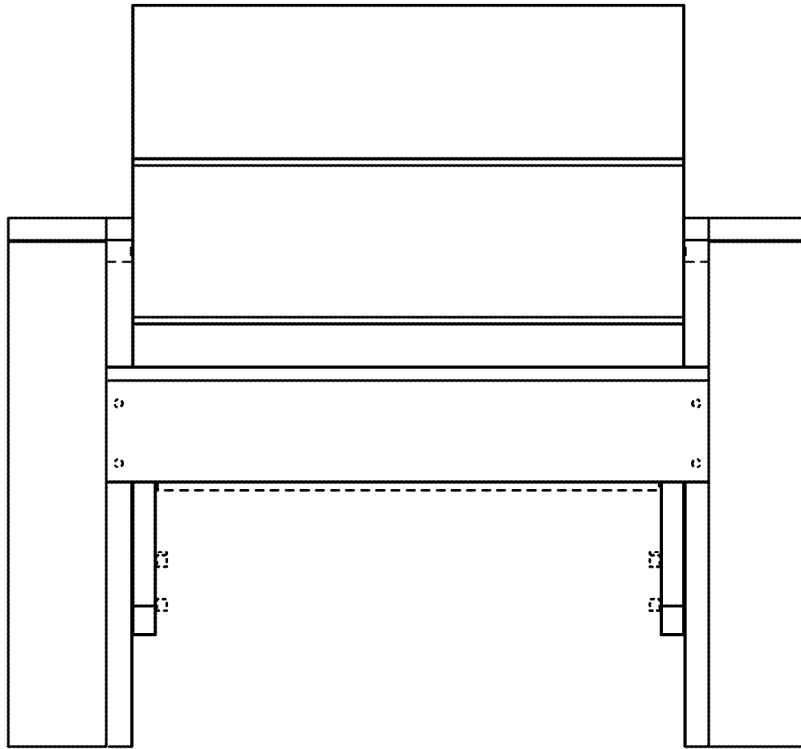


Fig. 2

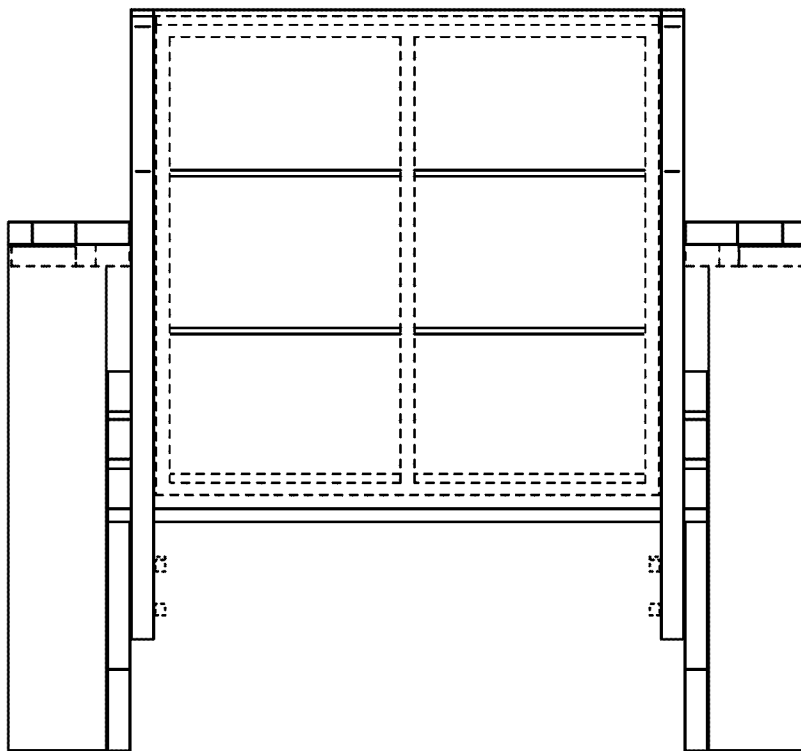


Fig. 3

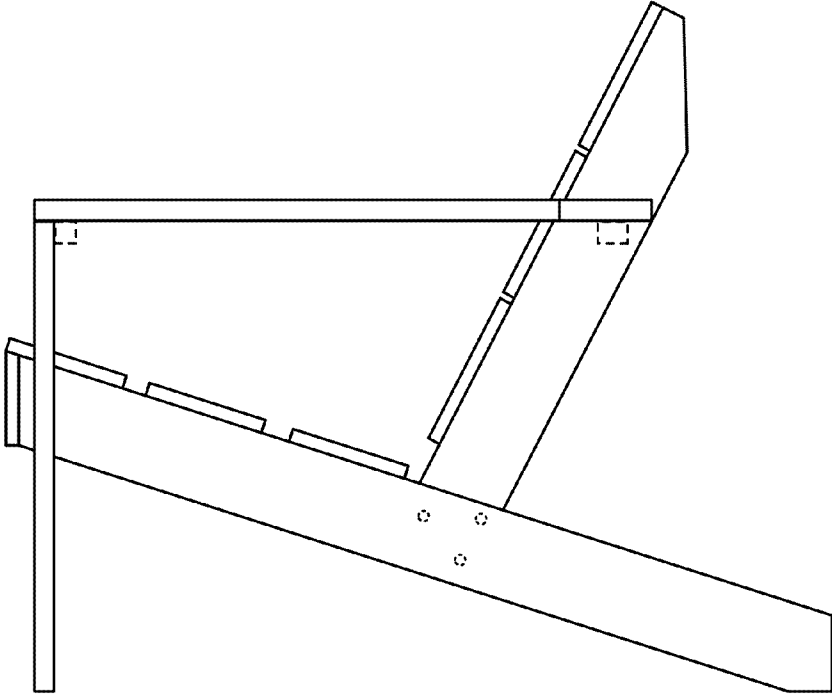


Fig. 4

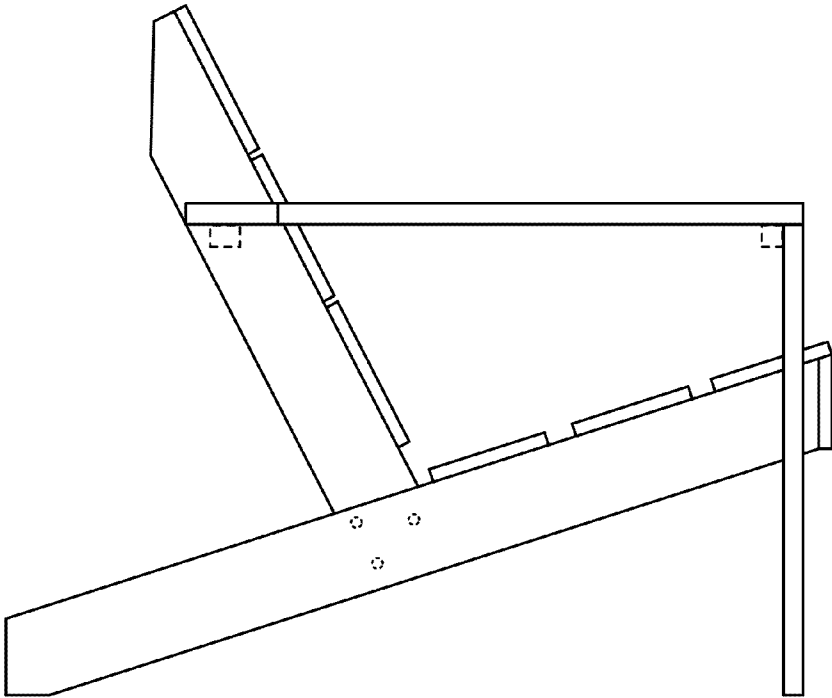


Fig. 5

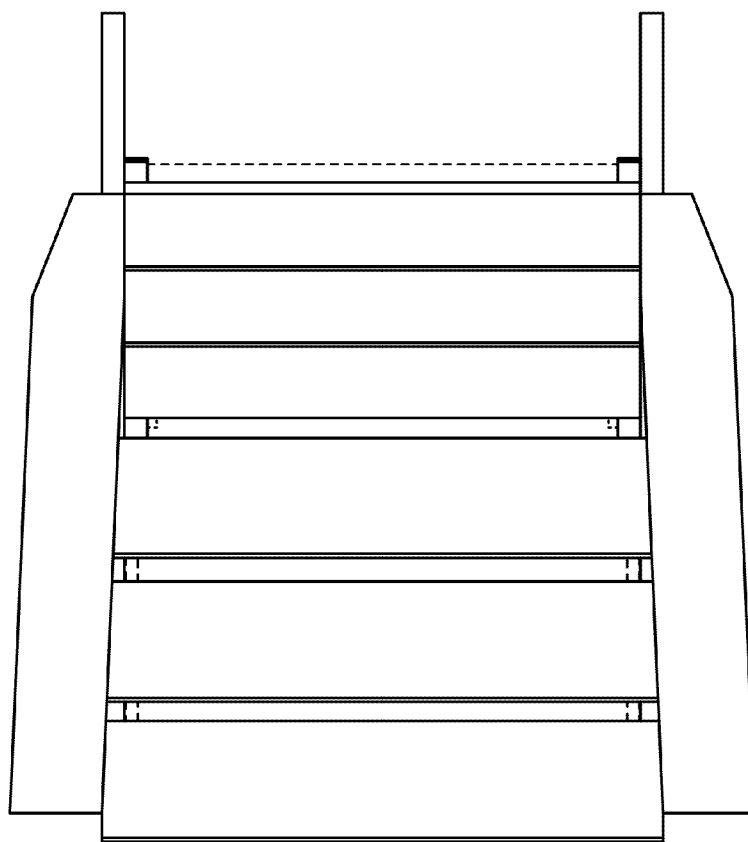


Fig. 6

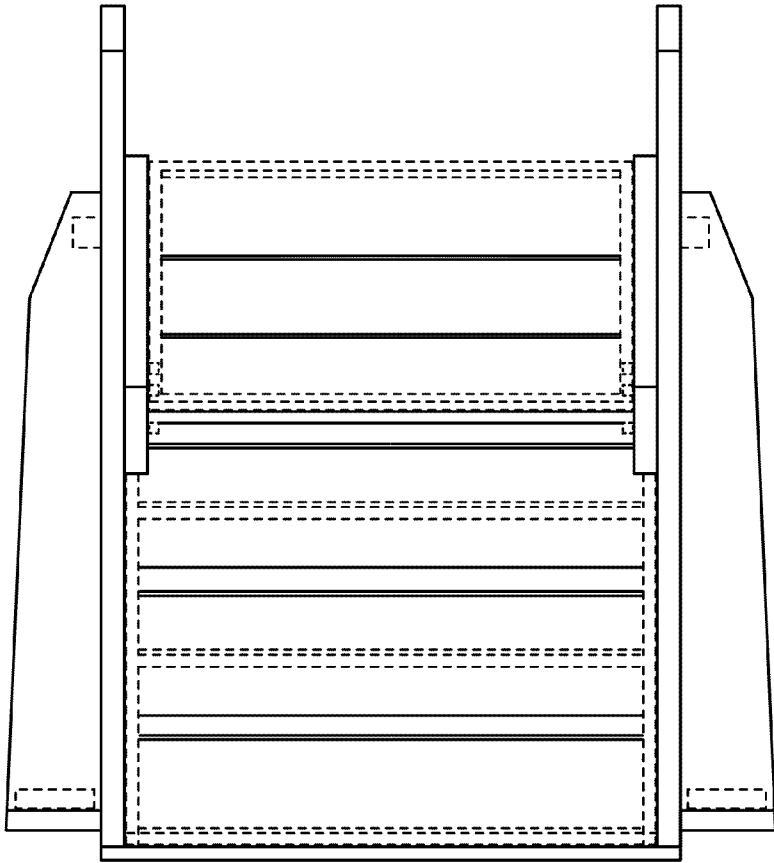


Fig. 7