



US00D606903S

(12) **United States Design Patent**  
**Saracoglu**

(10) **Patent No.:** **US D606,903 S**

(45) **Date of Patent:** **\*\* Dec. 29, 2009**

(54) **AUTOMOBILE**

(75) Inventor: **Hakan Saracoglu**, Stuttgart (DE)

(73) Assignee: **Dr. Ing. h.c. F. Porsche AG**, Weissach (DE)

(\*\*) Term: **14 Years**

(21) Appl. No.: **29/331,550**

(22) Filed: **Jan. 28, 2009**

(30) **Foreign Application Priority Data**

Jul. 29, 2008 (DE) ..... 40 2008 003 749.9

(51) **LOC (9) Cl.** ..... **12-08**

(52) **U.S. Cl.** ..... **D12/92**

(58) **Field of Classification Search** ..... D12/86,  
D12/90-92; 296/181.1, 181.5  
See application file for complete search history.

(56) **References Cited**

**U.S. PATENT DOCUMENTS**

D507,510 S *	7/2005	Larson	.....	D12/92
D512,341 S *	12/2005	Larson	.....	D12/92
D514,984 S *	2/2006	Lai	.....	D12/92
D560,557 S *	1/2008	Kulla et al.	.....	D12/92

D589,403 S *	3/2009	Saracoglu	.....	D12/92
D590,300 S *	4/2009	Saracoglu	.....	D12/92
D590,301 S *	4/2009	Saracoglu	.....	D12/92
D592,553 S *	5/2009	Larson et al.	.....	D12/92
D592,554 S *	5/2009	Larson et al.	.....	D12/92
D593,906 S *	6/2009	Borkert	.....	D12/92

\* cited by examiner

*Primary Examiner*—Melody N Brown

(57) **CLAIM**

The ornamental design for the automobile, as shown and described.

**DESCRIPTION**

FIG. 1 is a front view of an automobile, showing my new design;

FIG. 2 is a rear view thereof;

FIG. 3 is a right-side view thereof;

FIG. 4 is a left-side view thereof;

FIG. 5 is a top plan view thereof;

FIG. 6 is a front and side perspective view thereof; and,

FIG. 7 is a rear and side perspective view thereof.

The bottom view of the vehicle is not claimed.

**1 Claim, 4 Drawing Sheets**





FIG. 1



FIG. 2

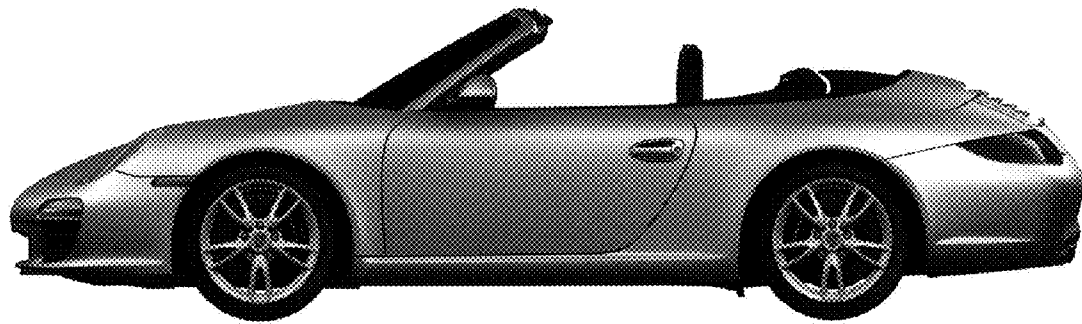


FIG. 3

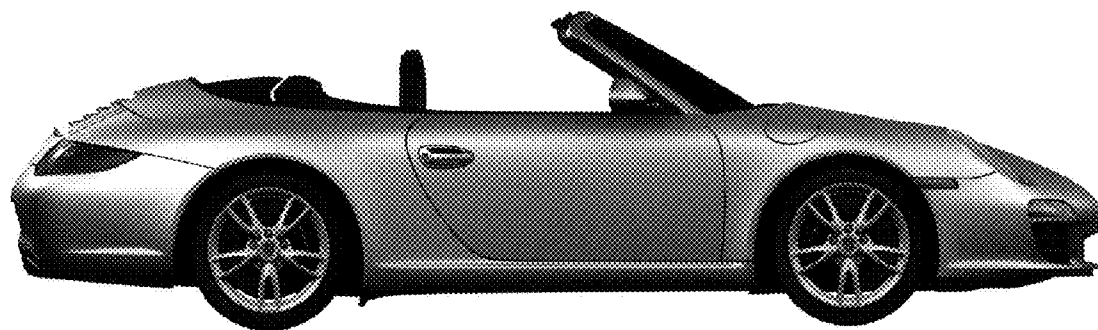


FIG. 4

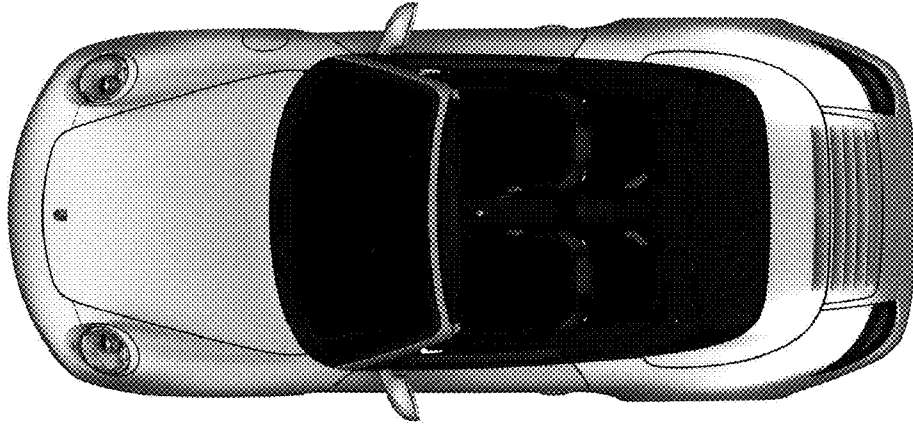


FIG. 5



FIG. 6



FIG. 7