



US00D986206S

(12) **United States Design Patent**
Wang et al.

(10) **Patent No.:** **US D986,206 S**
(45) **Date of Patent:** **** May 16, 2023**

- (54) **DESK PHONE**
- (71) Applicant: **Plantronics, Inc.**, Santa Cruz, CA (US)
- (72) Inventors: **Bowman Wang**, Corralitos, CA (US);
George Janour, Santa Cruz, CA (US)
- (73) Assignee: **Plantronics, Inc.**, Santa Cruz, CA (US)
- (**) Term: **15 Years**
- (21) Appl. No.: **29/841,445**
- (22) Filed: **Jun. 6, 2022**

D292,090 S	9/1987	Shintomi	
D293,783 S	1/1988	Martinez	
D295,623 S	5/1988	Gilberton	
D296,437 S	6/1988	Martinez	
D298,618 S	11/1988	Martinez	
D299,456 S *	1/1989	Kuo	D14/151
D300,025 S	2/1989	Honda	
D301,475 S	6/1989	Nagele	
D303,114 S	8/1989	Danielson	
D304,326 S	10/1989	Perkins	
D307,009 S *	4/1990	Boykiw	D14/149
D311,398 S	10/1990	Sugano	

(Continued)

Related U.S. Application Data

- (62) Division of application No. 29/740,375, filed on Jul. 2, 2020.
- (51) **LOC (14) Cl.** **14-03**
- (52) **U.S. Cl.**
USPC **D14/151**
- (58) **Field of Classification Search**
USPC ... D14/140, 140.1, 140.7, 140.8, 141.2, 142, D14/144, 147, 148, 149, 150, 151, 158, D14/159, 188, 217, 240, 243, 247, 248, D14/251, 299, 329, 330, 338, 130, 462, D14/467, 471; D21/517
CPC H04M 1/00; H04M 1/003; H04M 1/02; H04M 1/0289; H04M 1/0297; H04M 1/0214; H04M 1/03; H04M 1/23; H04M 1/253; H04M 1/2535; H04M 7/006; H04M 1/62
See application file for complete search history.

References Cited

U.S. PATENT DOCUMENTS

D263,589 S	3/1982	Read
D282,066 S	1/1986	Menei et al.
D282,655 S	2/1986	Kaku
D291,567 S	8/1987	Read et al.

FOREIGN PATENT DOCUMENTS

TW D176839 7/2016

Primary Examiner — Marie D. Fast Horse

(74) *Attorney, Agent, or Firm* — Quarles & Brady LLP

(57) **CLAIM**

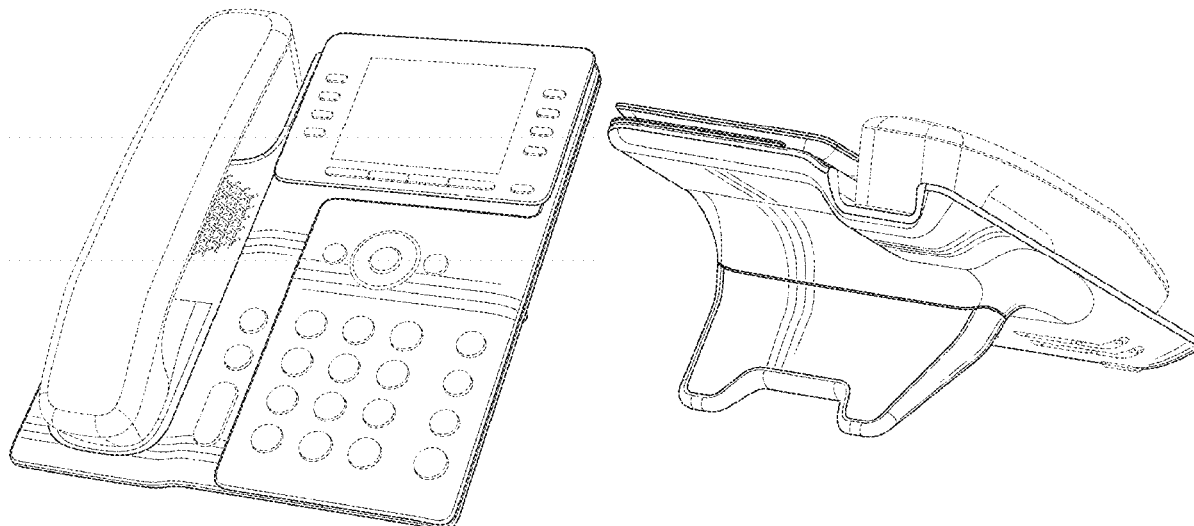
The ornamental design for a desk phone, as shown and described.

DESCRIPTION

FIG. 1 is a front perspective view of a desk phone, showing our new design;
 FIG. 2 is a top-left-back perspective view thereof;
 FIG. 3 is a bottom view thereof;
 FIG. 4 is a top view thereof;
 FIG. 5 is a left-side view thereof;
 FIG. 6 is a right-side view thereof;
 FIG. 7 is a front view thereof; and,
 FIG. 8 is a back view thereof.

The broken lines in the drawings depict portions of the desk phone that form no part of the claimed design.
 The thin, black lines shown in long dashes with intermittent breaks are shading and/or tangent lines to show contour of the surfaces or curved edges of a desk phone, and do not actually appear on the surface of the device.

1 Claim, 8 Drawing Sheets



(56)

References Cited

U.S. PATENT DOCUMENTS

D314,374 S *	2/1991	Sasaki	D14/151	D551,203 S *	9/2007	Abe	D14/151
D318,469 S	7/1991	Joffe			D552,071 S	10/2007	Park et al.		
D319,829 S	9/1991	Wu			D555,143 S	11/2007	Chou		
D321,188 S	10/1991	Gordon			D556,180 S	11/2007	Udagawa		
D323,657 S	2/1992	Danielson et al.			D556,181 S *	11/2007	Liu	D14/151
D324,036 S	2/1992	Wakasa			D558,180 S	12/2007	Daly		
D325,730 S	4/1992	van der Zon			D558,727 S	1/2008	Daly		
D330,028 S	10/1992	Gagnon			D558,729 S	1/2008	Daly		
D330,201 S	10/1992	Preece et al.			D565,020 S	3/2008	Daly		
D335,667 S	5/1993	Kawakami et al.			D576,998 S	9/2008	Furuno		
D346,785 S	5/1994	Lundell et al.			D581,897 S	12/2008	Katori		
D349,899 S	8/1994	Siddoway et al.			D582,886 S	12/2008	Woo		
D352,032 S	11/1994	Cowan			D585,397 S	1/2009	Hwang		
D356,087 S	3/1995	Jarrett			D604,258 S	11/2009	Rinaldi et al.		
5,432,836 A	7/1995	Jarrett			D608,759 S	1/2010	Chun		
D366,484 S *	1/1996	Levin	D14/151	D611,031 S	3/2010	Lesniak et al.		
D368,091 S *	3/1996	Yoshihiko	D14/151	D613,724 S	4/2010	Kao et al.		
D369,601 S	5/1996	Tornoike			D615,066 S	5/2010	Huang et al.		
D395,304 S	6/1998	Mori et al.			D620,464 S	7/2010	Quiros et al.		
D401,235 S	11/1998	Fuke et al.			D620,472 S	7/2010	Robinson et al.		
5,862,214 A	1/1999	Aggus			D629,381 S	12/2010	Verthein et al.		
D408,817 S	4/1999	Ishibashi			D636,769 S	4/2011	Wood et al.		
D410,229 S	5/1999	Chiocchi			D653,646 S	2/2012	Hovdal		
D411,987 S	7/1999	Mizusugi et al.			D654,074 S	2/2012	Wood et al.		
D412,171 S	7/1999	Girardi			D657,772 S	4/2012	Shadovitz et al.		
D423,001 S	4/2000	Shindo			D657,773 S	4/2012	Corsini et al.		
D432,497 S	4/2000	Nogas			D658,616 S	5/2012	Van Der Flier et al.		
D425,856 S	5/2000	Shindo			D658,627 S	5/2012	Katori		
D426,536 S	6/2000	Shindo			D668,901 S	10/2012	Jones et al.		
D427,985 S *	7/2000	Takayama	D14/151	D675,592 S	2/2013	Fuxen		
D431,541 S	10/2000	Nagele et al.			D686,184 S	7/2013	Takahata et al.		
D432,107 S	10/2000	Isonaga			D723,502 S *	3/2015	Chun	D14/142
D432,108 S	10/2000	Isonaga			D725,623 S	3/2015	Hartmann et al.		
D433,677 S	11/2000	Tsuge			D738,845 S	3/2015	Kwak		
D435,040 S	12/2000	Shen			D744,464 S	12/2015	Snyder et al.		
D442,158 S	5/2001	Isonaga			D753,624 S	4/2016	Ji		
D457,509 S	5/2002	Ohwada			D757,677 S	5/2016	Hutt et al.		
D471,171 S	3/2003	Yamanouchi et al.			D763,219 S	8/2016	Engelke et al.		
D471,527 S	3/2003	Yamanouchi et al.			D767,527 S	9/2016	Hillenmayer		
D472,227 S	3/2003	Takayama			D776,655 S	1/2017	Chen		
D479,517 S	9/2003	Weidinger			D783,569 S	4/2017	Kwak		
D481,698 S	11/2003	Yamada et al.			D784,283 S	4/2017	Snyder et al.		
D481,699 S	11/2003	Jauregui et al.			D788,737 S *	6/2017	Takei	D14/151
D481,700 S	11/2003	Jauregui et al.			D835,060 S	12/2018	Peng		
D489,700 S *	5/2004	Hillenmayer	D14/151	D835,599 S	12/2018	Peng		
D490,795 S	6/2004	Watanabe			D848,391 S *	5/2019	Li	D14/151
D499,711 S	12/2004	Baswell			D851,617 S	6/2019	Rodriguez et al.		
D511,153 S	11/2005	dos Santos			D853,981 S	7/2019	Nakano et al.		
D512,703 S	12/2005	Ookawa			D896,199 S	9/2020	Rodriguez et al.		
D529,477 S *	10/2006	Hsu	D14/151	10,924,598 B1	2/2021	Rodriguez et al.		
D529,894 S	10/2006	Yanagisawa et al.			D932,454 S *	10/2021	Darias	D14/140
D530,303 S	10/2006	Tang			D934,833 S *	11/2021	Su	D14/151
D531,613 S	11/2006	Lesniak et al.			D934,834 S *	11/2021	Su	D14/151
D535,277 S *	1/2007	Mamizuka	D14/151	D934,835 S *	11/2021	Su	D14/151
D537,065 S *	2/2007	Chen	D14/151	2008/0240416 A1	10/2008	Abramson		
					2011/0216898 A1	9/2011	Huang		
					2022/0303378 A1 *	9/2022	Janour	H04M 1/62

* cited by examiner



FIG. 1

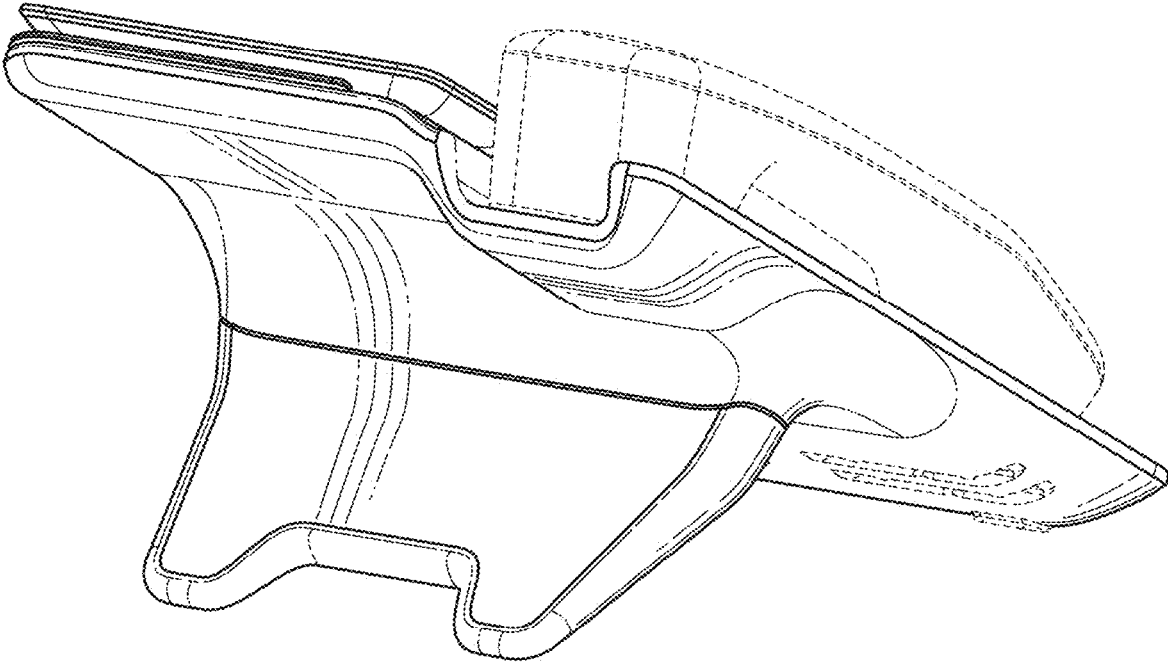


FIG. 2

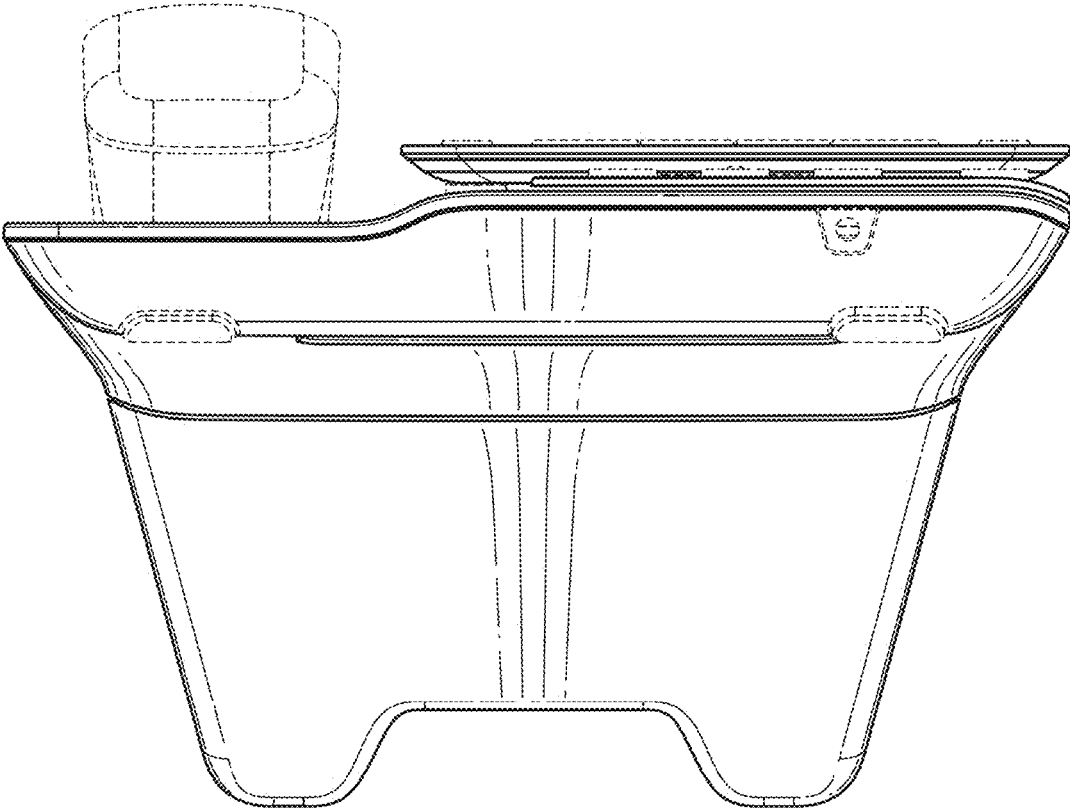


FIG. 3

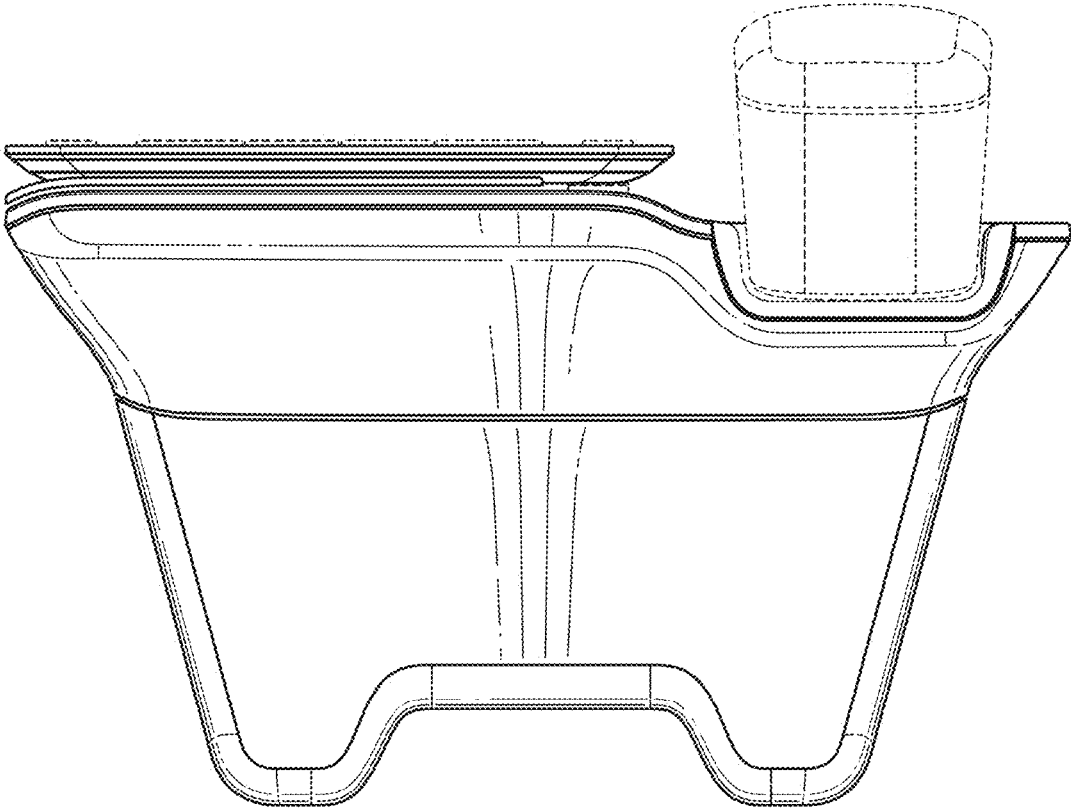


FIG. 4

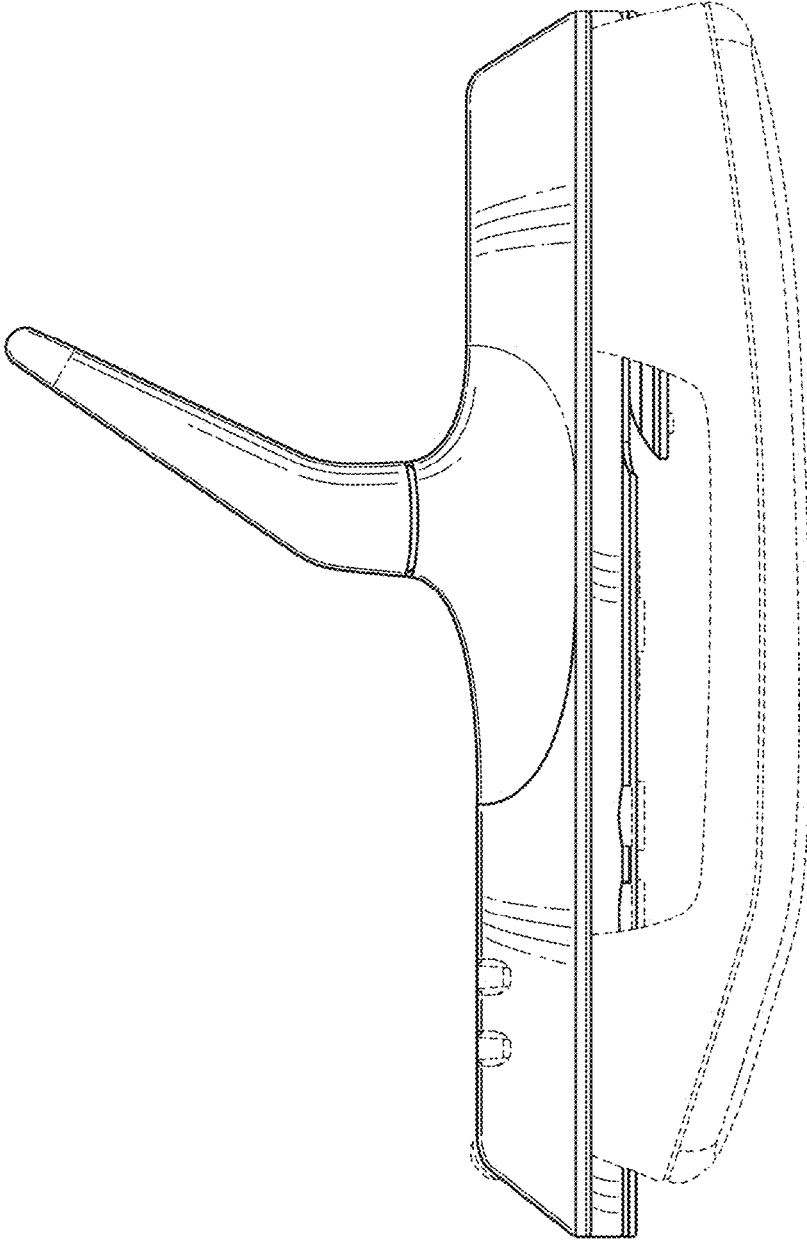


FIG. 5

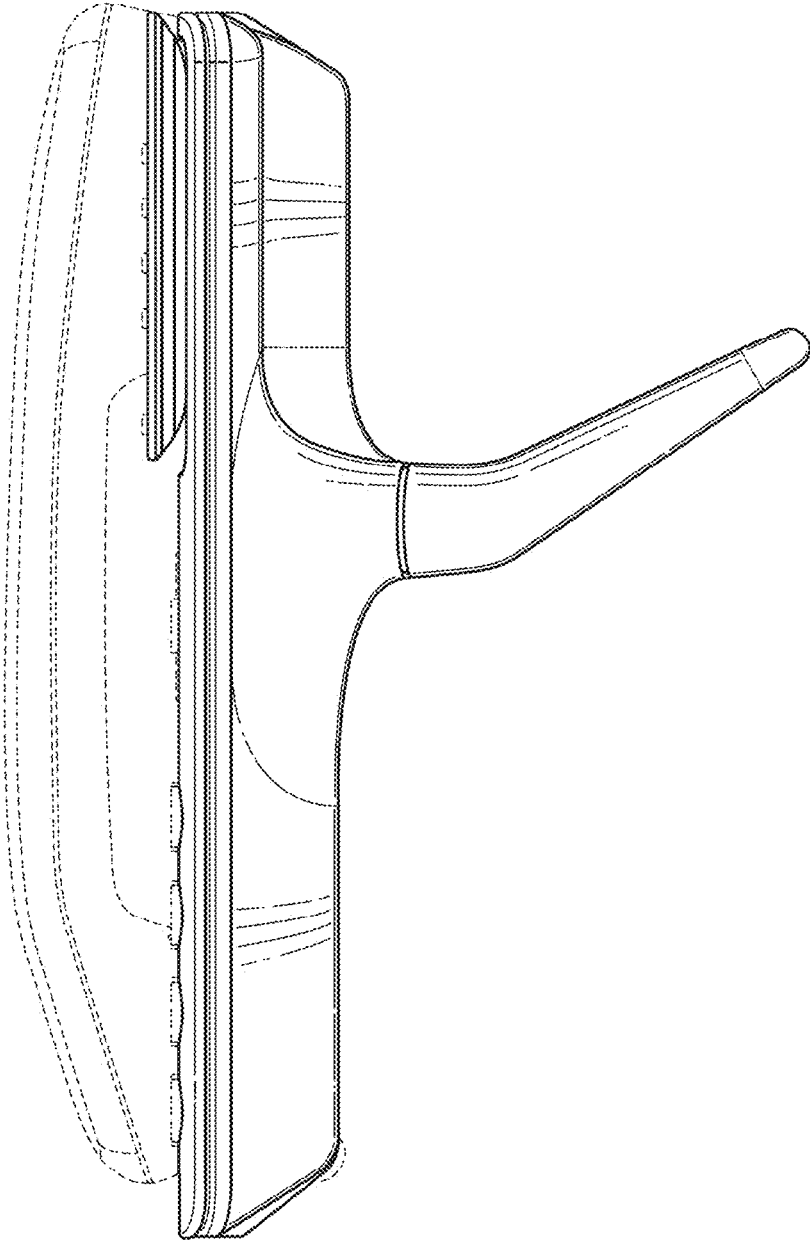


FIG. 6

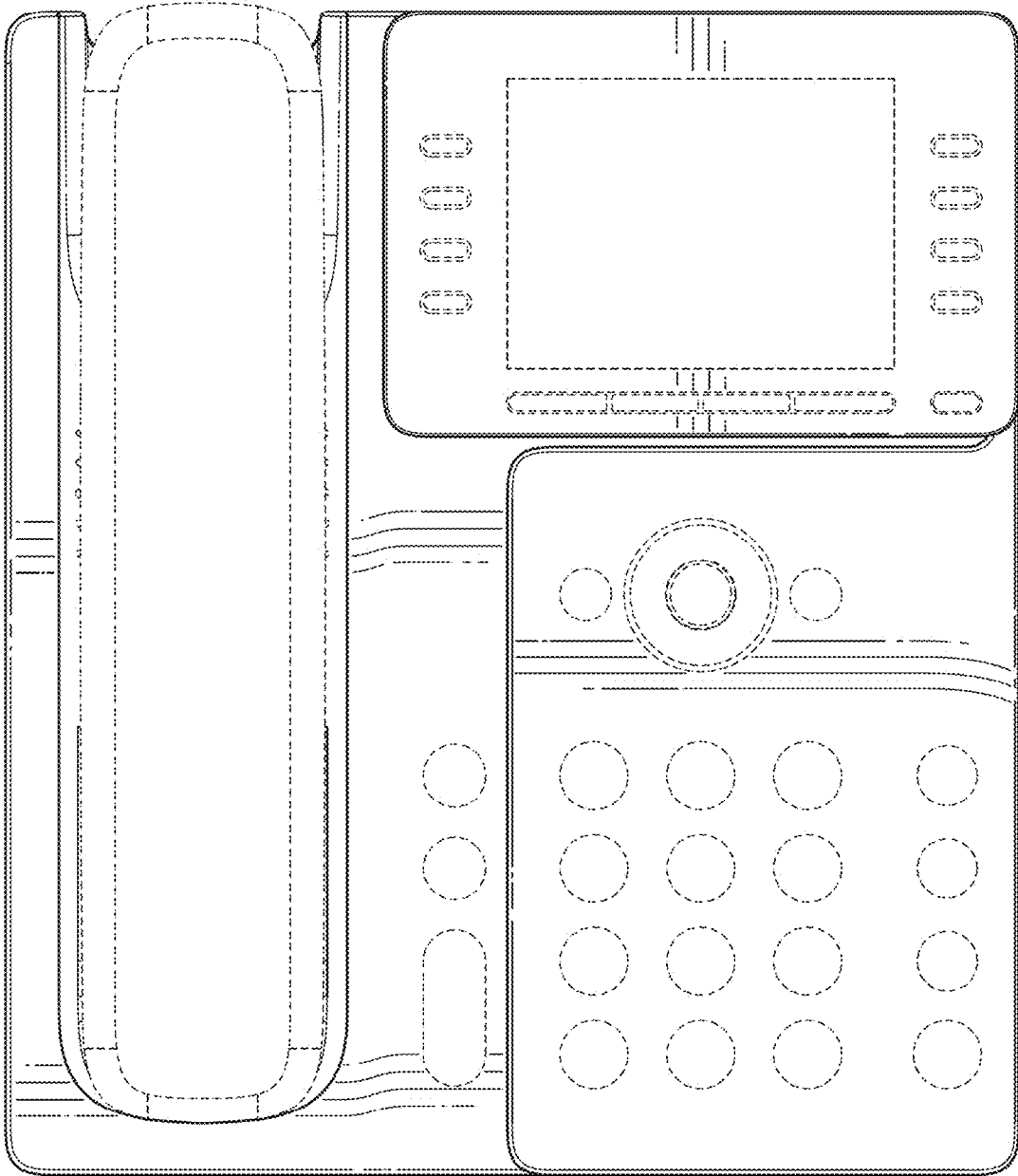


FIG. 7

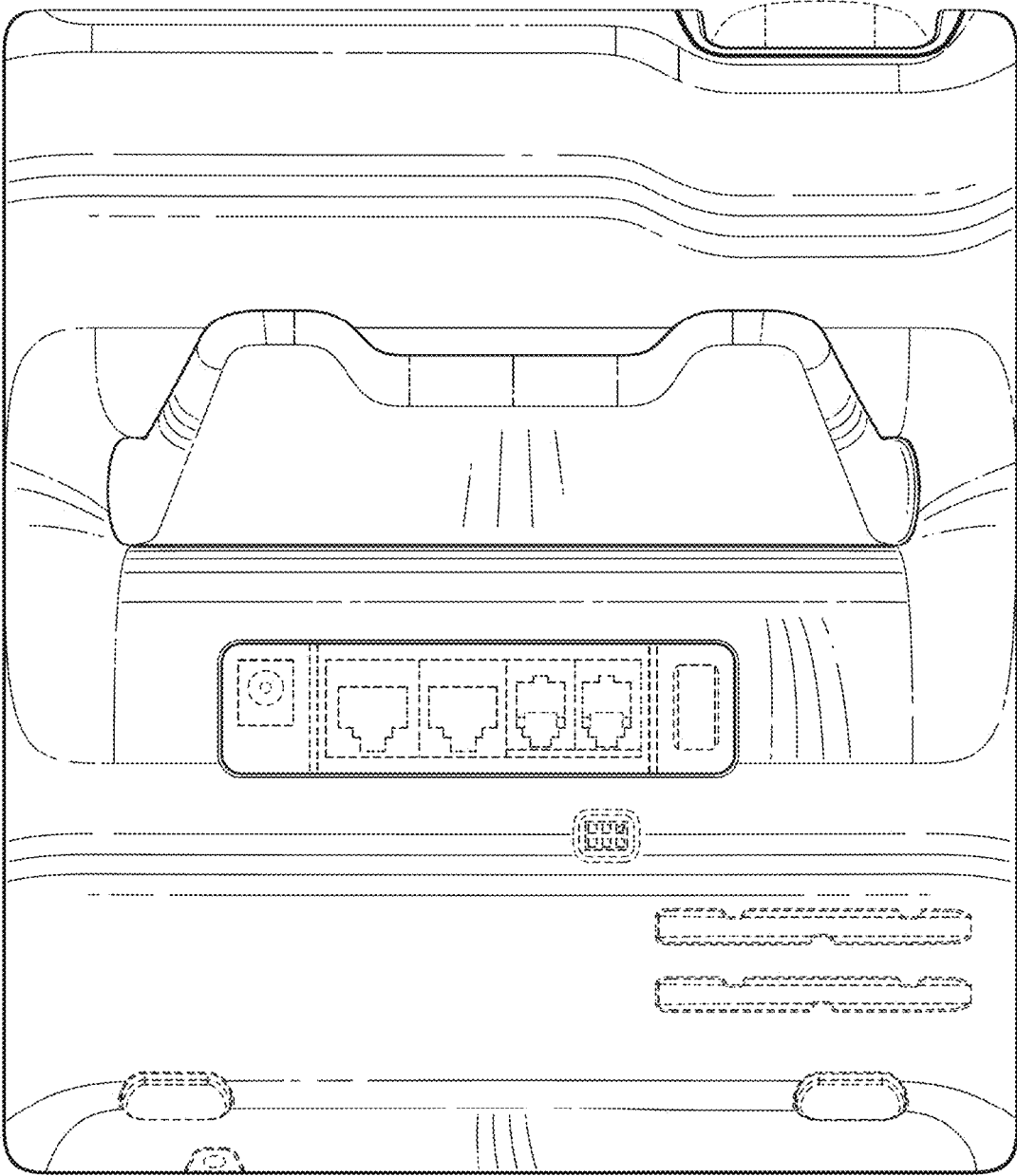


FIG. 8