



US00D667188S

(12) **United States Design Patent**
Berti et al.

(10) **Patent No.:** **US D667,188 S**

(45) **Date of Patent:** **** Sep. 11, 2012**

(54) **MOP**
(75) Inventors: **Enzo Berti**, Pianiga (IT); **Roberto Pellacini**, Torrechiara Langhirano (IT)
(73) Assignee: **The Libman Company**, Arcola, IL (US)
(**) Term: **14 Years**
(21) Appl. No.: **29/383,182**
(22) Filed: **Jan. 13, 2011**
(51) **LOC (9) Cl.** **04-01**
(52) **U.S. Cl.** **D32/50; D32/52**
(58) **Field of Classification Search** D32/50-52, D32/40, 44, 45; 473/301, 302; 15/143.1, 15/119.2, 120.1, 120.2, 116.1, 116.2, 150, 15/209.1-210.1; 401/137-140
See application file for complete search history.

6,625,838 B2 * 9/2003 Laux et al. 15/120.2
6,920,664 B2 7/2005 Libman et al.
7,089,622 B2 * 8/2006 Sampaio 15/120.2
D588,319 S * 3/2009 Berti et al. D32/51
7,520,018 B2 4/2009 Libman et al.
D597,271 S * 7/2009 Lesley D32/52
D622,018 S * 8/2010 Renner D32/50
D642,761 S * 8/2011 Weaver et al. D32/50
8,011,055 B2 * 9/2011 Lesley 15/119.1
2002/0133892 A1 * 9/2002 Monahan 15/119.1
2003/0084530 A1 * 5/2003 Specht 15/120.2
2004/0006836 A1 * 1/2004 Dingert 15/120.1
2004/0128783 A1 * 7/2004 Lesley et al. 15/120.1
2009/0165232 A1 7/2009 Libman

* cited by examiner

Primary Examiner — John Windmuller

(74) *Attorney, Agent, or Firm* — Banner & Witcoff, Ltd.

(57) **CLAIM**

The ornamental design for a mop, as shown and described.

DESCRIPTION

FIG. 1 is a top, front, right perspective view of a mop showing our new design;

FIG. 2 is a front view thereof;

FIG. 3 is a right side view thereof;

FIG. 4 is a rear view thereof;

FIG. 5 is a left side view thereof;

FIG. 6 is a top view thereof; and,

FIG. 7 is a bottom view thereof.

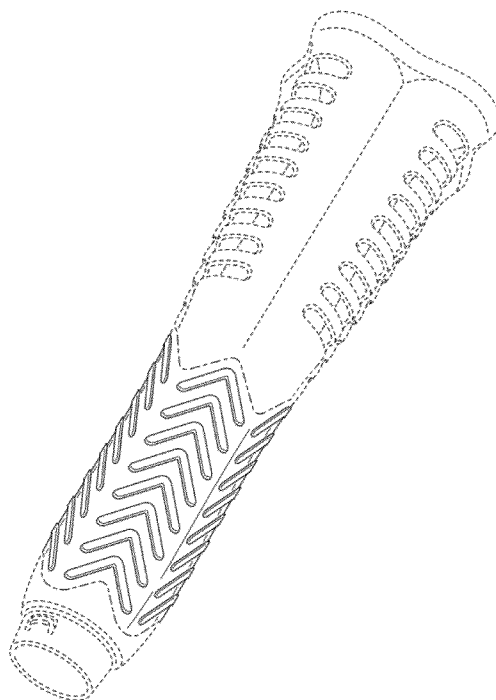
The uneven-length broken lines represent unclaimed boundaries of the claimed design. The even-length broken lines showing the remainder of the mop are for environmental purposes only and form no part of the claimed design.

1 Claim, 6 Drawing Sheets

(56) **References Cited**

U.S. PATENT DOCUMENTS

1,709,622 A * 4/1929 Justis 15/120.2
2,046,164 A * 6/1936 Herkner 473/302
2,521,445 A * 9/1950 Brown 15/119.1
5,060,338 A * 10/1991 Yates et al. 15/119.2
5,509,163 A * 4/1996 Morad 15/120.2
5,675,858 A * 10/1997 von Meyer 15/119.1
D387,526 S * 12/1997 Berti et al. D32/51
5,819,356 A * 10/1998 Cann 15/120.1
5,890,253 A * 4/1999 Morad 15/120.1
D411,780 S * 7/1999 Muller D7/393
6,085,378 A * 7/2000 Petner 15/119.1
6,108,848 A * 8/2000 Monahan 15/119.1
6,240,589 B1 * 6/2001 Specht 15/120.2
D474,869 S 5/2003 Libman



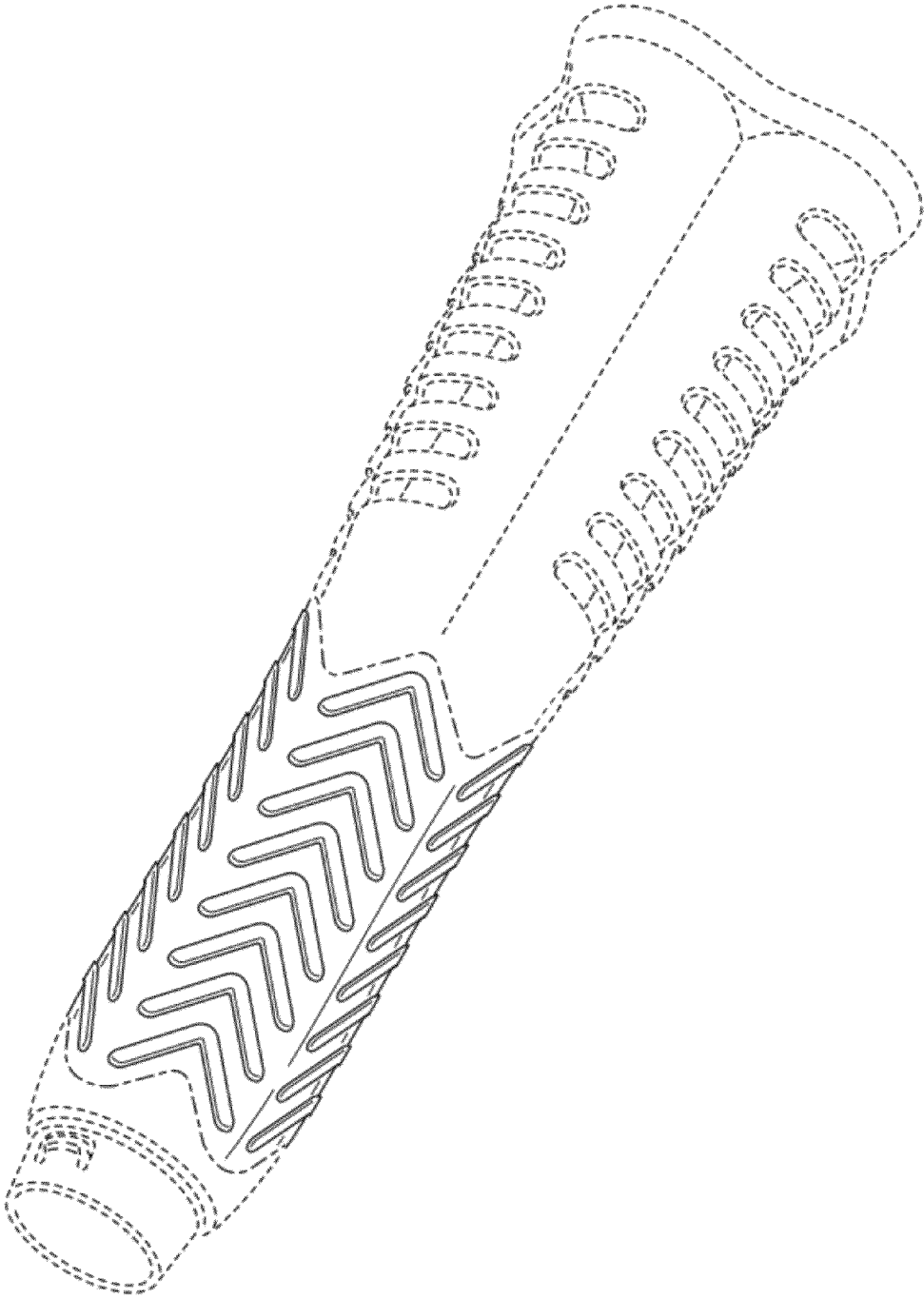


FIG. 1

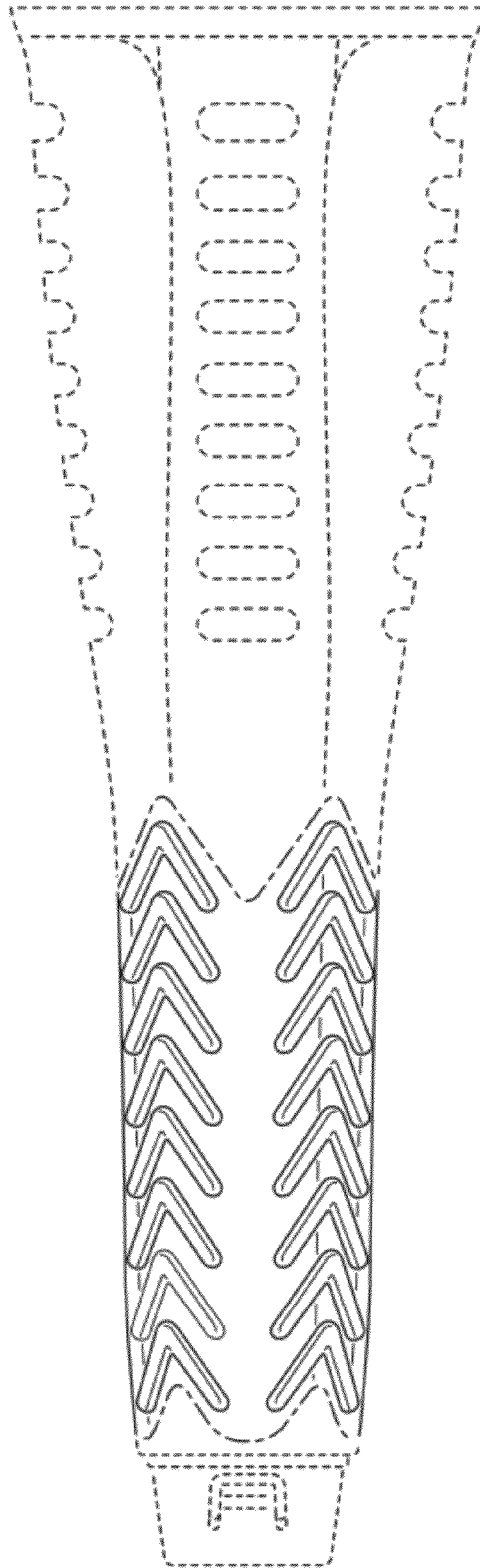


FIG. 2

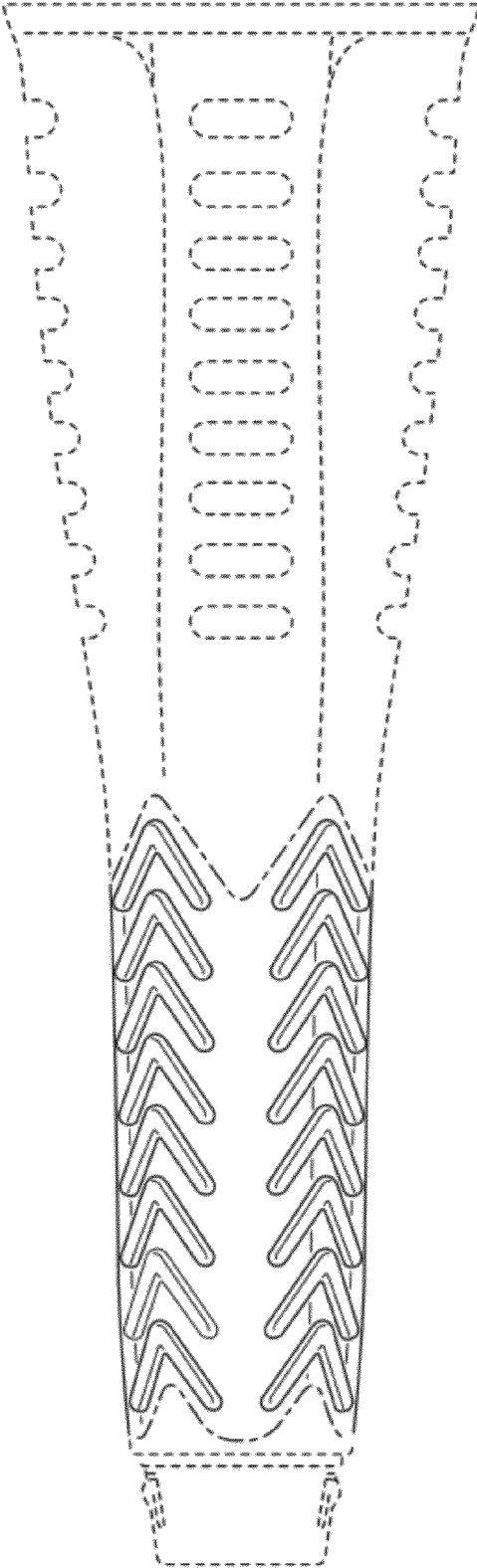


FIG. 3

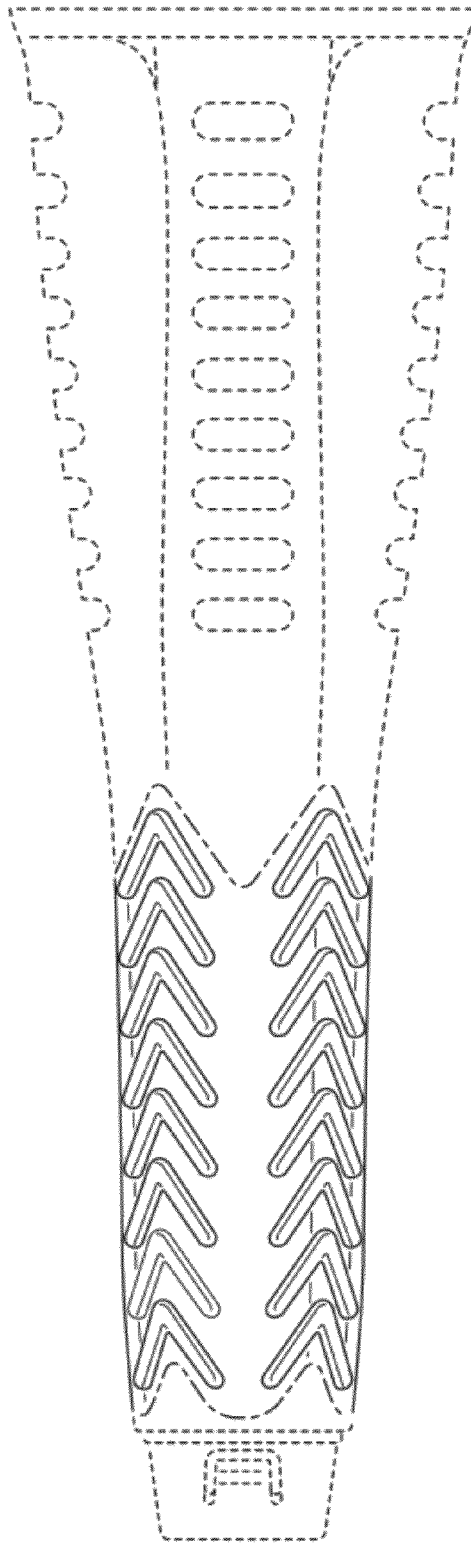


FIG. 4

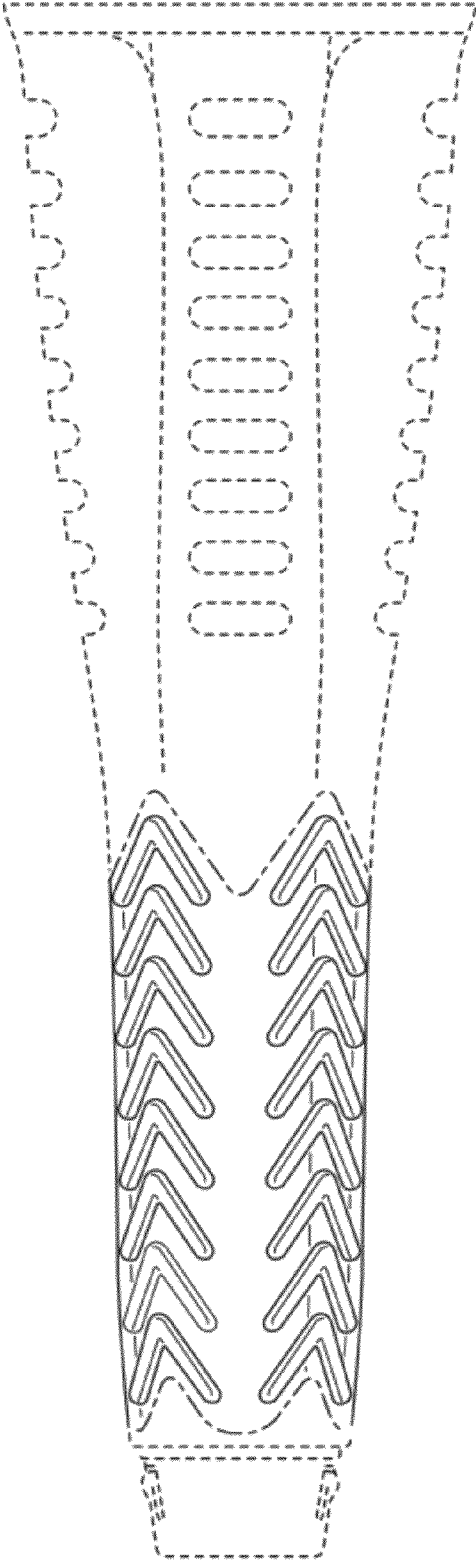


FIG. 5

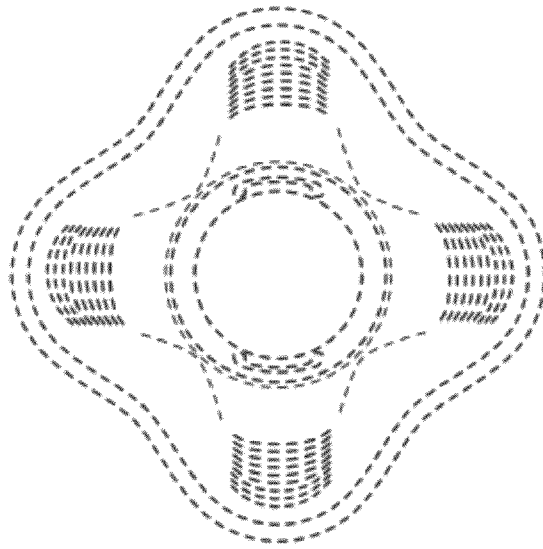


FIG. 6

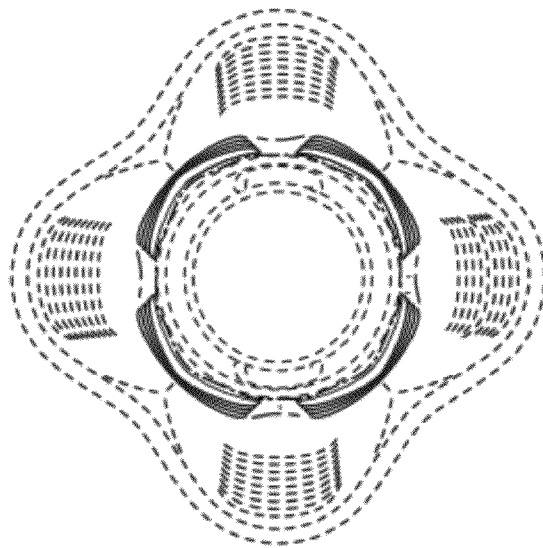


FIG. 7