



US00D975383S

(12) **United States Design Patent** (10) **Patent No.:** **US D975,383 S**
Smith et al. (45) **Date of Patent:** **** Jan. 10, 2023**

(54) **BEZEL FOR AN ENTRY OPENING OF A LITTER DEVICE FOR DOMESTIC ANIMALS**

FOREIGN PATENT DOCUMENTS

(71) Applicant: **Automated Pet Care Products, LLC**, Auburn Hills, MI (US)

CN 305005516 * 1/2019
CN 209314546 U 8/2019

(Continued)

(72) Inventors: **Jason Smith**, West Bloomfield, MI (US); **Brad Baxter**, Bloomfield Hills, MI (US)

OTHER PUBLICATIONS

(73) Assignee: **AUTOMATED PET CARE PRODUCTS, LLC**, Auburn Hills, MI (US)

Litter-Robot Automated Litter Box Testimonials_Why Customers Love Litter-Robot, announced in YouTube on Sep. 22, 2015 [online], [site visited May 6, 2022], Available from the internet URL: <https://www.youtube.com/watch?v=EOsMIIMRAQ8> (Year: 2015).*

(**) Term: **15 Years**

(Continued)

(21) Appl. No.: **29/755,935**

Primary Examiner — Jennifer L Rempfer

Assistant Examiner — Elizabeth Anne Glassberg

(22) Filed: **Oct. 23, 2020**

(74) *Attorney, Agent, or Firm* — The Dobrusin Law Firm, P.C.; Daniela M. Thompson-Walters

(51) **LOC (14) Cl.** **30-99**

(52) **U.S. Cl.**

USPC **D30/161**

(58) **Field of Classification Search**

USPC D10/30; D16/219; D28/19; D30/108–109, 112–120, 161, 162; D32/6

CPC A01K 1/01; A01K 1/0107; A01K 1/011; A01K 1/0114; A01K 1/0117; A01K 1/0121; A01K 1/0125; A01K 1/0128;

A01K 1/0132; A01K 1/0135; A01K 1/0139; A01K 1/0142; A01K 1/0236;

A01K 1/0272; A01K 1/029; A01K 1/033; A01K 1/034; A01K 1/035; A01K 1/0035;

A45D 20/44; A45D 20/46

See application file for complete search history.

(57) **CLAIM**

We claim the ornamental design for a bezel for an entry opening of a litter device for domestic animals, as shown and described.

DESCRIPTION

FIG. 1 is a front perspective view of a litter device for domestic animals with a bezel about the entry opening;

FIG. 2 is a rear perspective view thereof;

FIG. 3 is a front view thereof;

FIG. 4 is a rear view thereof;

FIG. 5 is a left side view thereof;

FIG. 6 is a right view thereof;

FIG. 7 is a top view thereof; and,

FIG. 8 is a bottom view thereof.

The broken lines depict features of the bezel for an entry opening and the litter device for domestic animals that form no part of the design claim.

(56) **References Cited**

U.S. PATENT DOCUMENTS

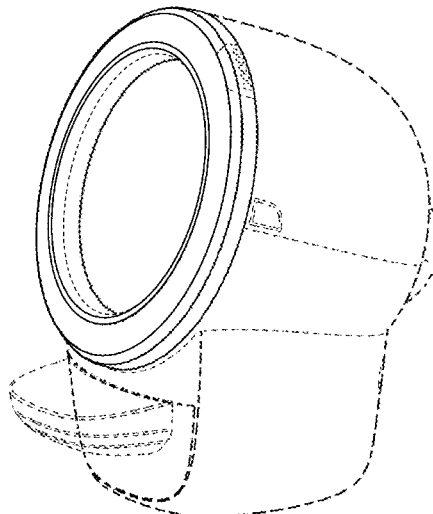
D156,991 S * 1/1950 Perl A01K 1/0114
D32/6

3,027,654 A * 4/1962 Kremer A45D 20/20
34/96

4,120,264 A 10/1978 Carter

(Continued)

1 Claim, 8 Drawing Sheets



(56)

References Cited

U.S. PATENT DOCUMENTS

5,107,797 A * 4/1992 LaRoche A01K 1/0114
209/296

5,458,090 A 10/1995 Favreau

5,662,066 A 9/1997 Reitz

6,126,015 A 10/2000 Haymaker

6,463,881 B2 * 10/2002 Reitz A01K 1/0114
119/170

7,017,519 B1 * 3/2006 Deasy A01K 1/011
119/166

D525,147 S * 7/2006 Sogoyan D10/38

D564,144 S * 3/2008 Kwon D32/6

7,647,889 B2 1/2010 Horanoff

D612,554 S * 3/2010 Seager A45D 20/20
D30/161

D665,543 S * 8/2012 Kim A01K 1/0107
D32/6

8,413,608 B2 * 4/2013 Sharp A01K 1/0107
119/166

D681,885 S * 5/2013 Pitter A01K 1/0114
D30/129

8,485,131 B2 7/2013 Veness

D688,013 S * 8/2013 Kim A01K 1/011
D32/6

8,757,094 B2 * 6/2014 Baxter A01K 1/0114
119/168

D753,886 S * 4/2016 Veness A01K 1/0114
D30/161

9,433,185 B2 9/2016 Baxter

9,504,228 B1 11/2016 Ciotic

9,565,830 B1 2/2017 Caico

D824,121 S * 7/2018 Luo A01K 1/011
D32/6

10,098,315 B2 * 10/2018 Couto A01K 1/0114

D898,304 S * 10/2020 Tu D30/161

D923,887 S * 6/2021 Wang D30/161

2002/0139312 A1 * 10/2002 Reitz A01K 1/0114
119/165

2013/0206075 A1 8/2013 Huck

2013/0333625 A1 * 12/2013 Baxter A01K 1/011
119/166

2018/0303057 A1 * 10/2018 Guoqiang A01K 1/0107

2019/0364840 A1 12/2019 Baxter

2020/0060221 A1 * 2/2020 Fan A01K 1/0114

2020/0245587 A1 * 8/2020 Leech A01K 1/011

2020/0281154 A1 * 9/2020 Li A01K 1/011

2022/0104452 A1 * 4/2022 Gong A01K 1/0114

2022/0125006 A1 * 4/2022 Smith A01K 1/0114

FOREIGN PATENT DOCUMENTS

CN 209518062 U 10/2019

CN 209732234 U 12/2019

CN 305532892 * 1/2020

CN 305762379 * 5/2020

CN 305999762 * 8/2020

EP 2676543 B1 12/2018

FR 2687285 A1 8/1993

FR 3070822 A1 3/2019

WO 98/01374 A2 1/1998

WO 02/054860 A1 7/2002

WO 2016/190765 A1 12/2016

OTHER PUBLICATIONS

Morus Zero-Ultrafast Countertop Tumble Dryer, announced in YouTube on Jun. 18, 2019 [online], [site visited May 9, 2022], Available from the internet URL: <https://www.youtube.com/watch?v=r063llmUXi8> (Year: 2019).*

Cat Litter Boxes_Pet Toilet Creative Spherical Cat Litter Pot, available in Amazon.ca, date first available Aug. 15, 2020 [online], [site visited May 6, 2022], Available from the internet URL: <https://www.amazon.ca/Creative-Spherical-Personality-Enclosed-Automatic/dp/B08FXZQLM7?th=1> (Year: 2020).*

Copending PCT Application No. PCT/US2020/029776 filed on Apr. 24, 2020.

Co-pending Design U.S. Appl. No. 29/749,988, filed Sep. 10, 2020.

Co-pending Design U.S. Appl. No. 29/755,931, filed Oct. 23, 2020.

Co-pending Design U.S. Appl. No. 29/756,266, filed Oct. 27, 2020.

International Search Report and Written Opinion, dated Sep. 30, 2020, PCT Application No. PCT/US2020/029776.

Aimicat available at <https://aimicat.com/>. As accessed on Sep. 9, 2020.

Catgloo available at <http://pethealthintec.com/>. As accessed on Sep. 9, 2020.

Catlink available at <https://en.xiaomitoday.it/catlink-automatic-litter-box-youth.html>. As accessed on Sep. 9, 2020.

Circle Zero available at <https://plutocirclezero.com/>. As accessed on Sep. 9, 2020.

Igloo available at <https://www.indiegogo.com/projects/igloo-reinvent-affordable-auto-cat-litter-box/#/>. As accessed on Sep. 9, 2020.

Meet available at <https://www.slashpets.com/robotic-cat-litter-box/>. As Accessed on Sep. 9, 2020.

Petato Footloose available at <https://www.kickstarter.com/projects/petato/footloose-next-gen-automatic-and-health-tracking-c>. As accessed on Sep. 9, 2020.

Petree available at <https://petreelitterboxes.com/>. As accessed on Sep. 9, 2020.

* cited by examiner

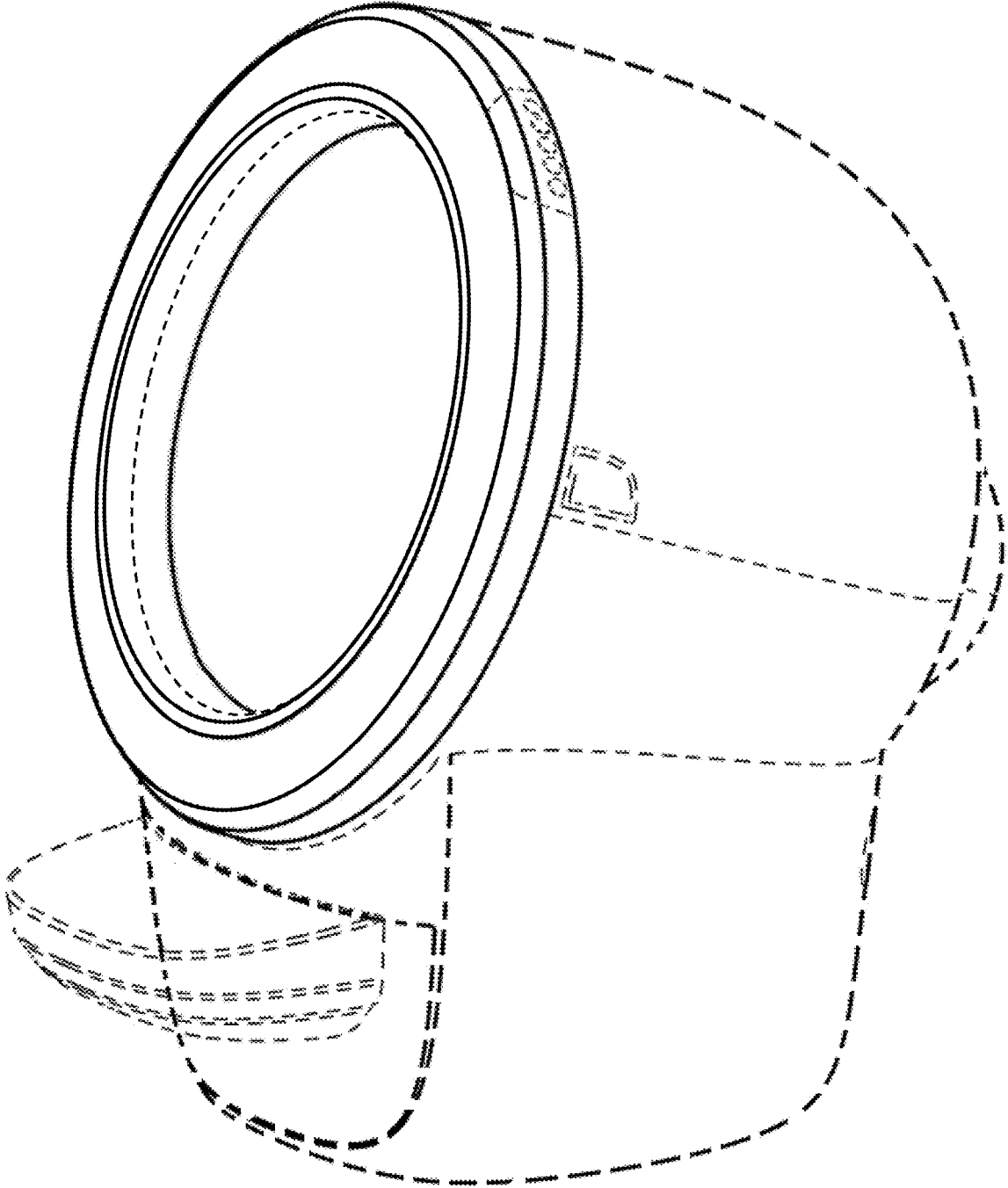


FIG.-1

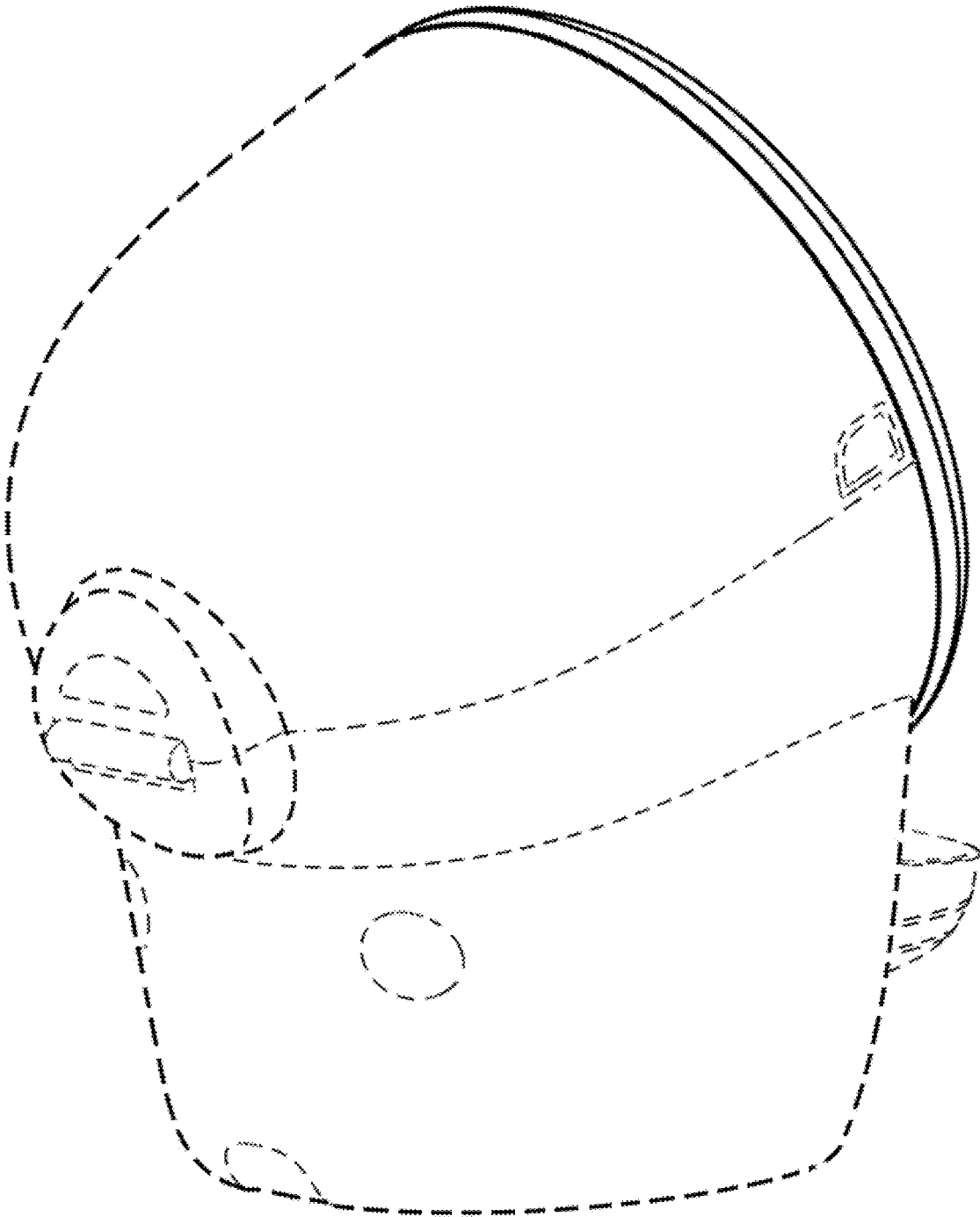


FIG.-2

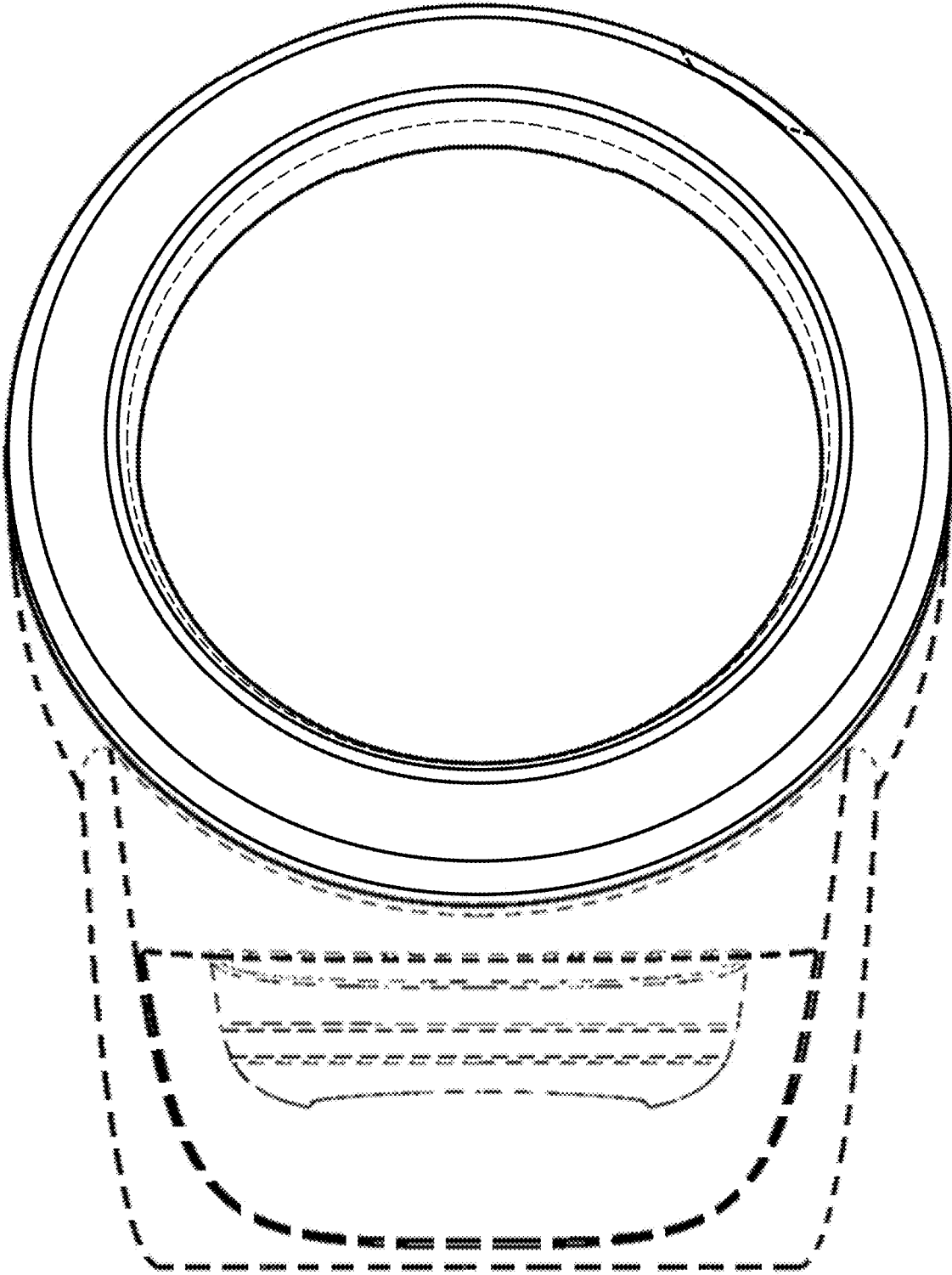


FIG.-3

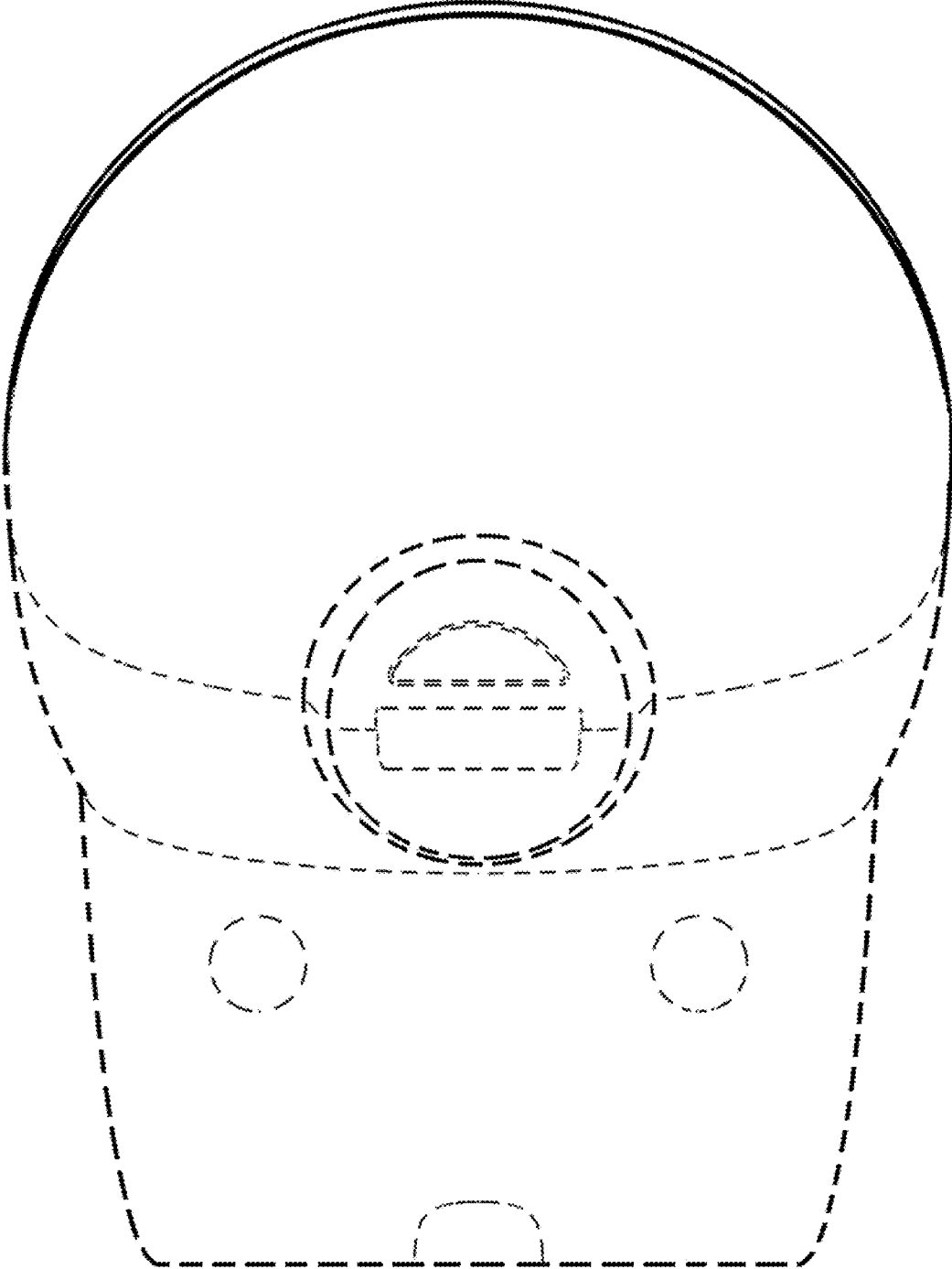


FIG.-4

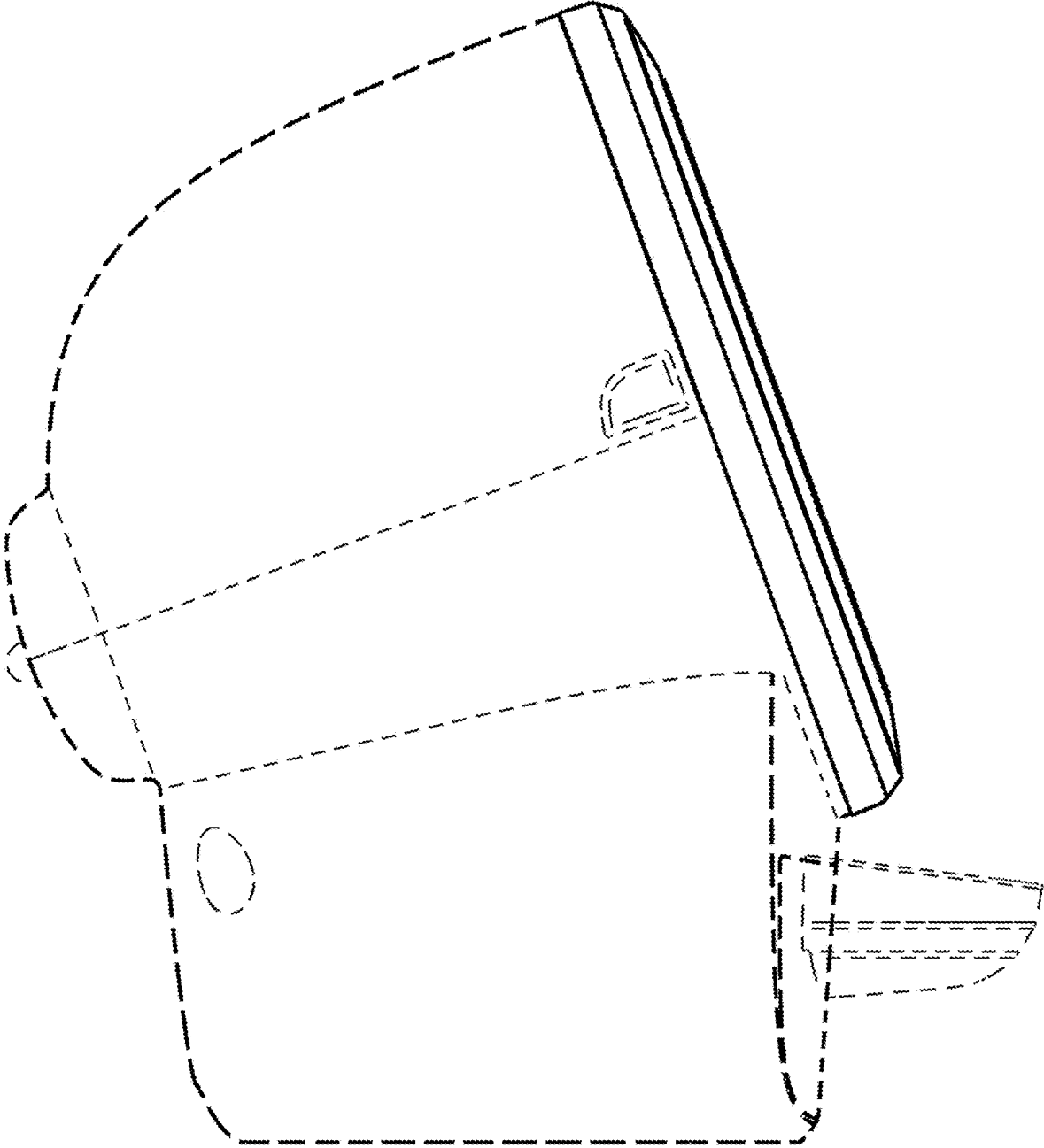


FIG.-5

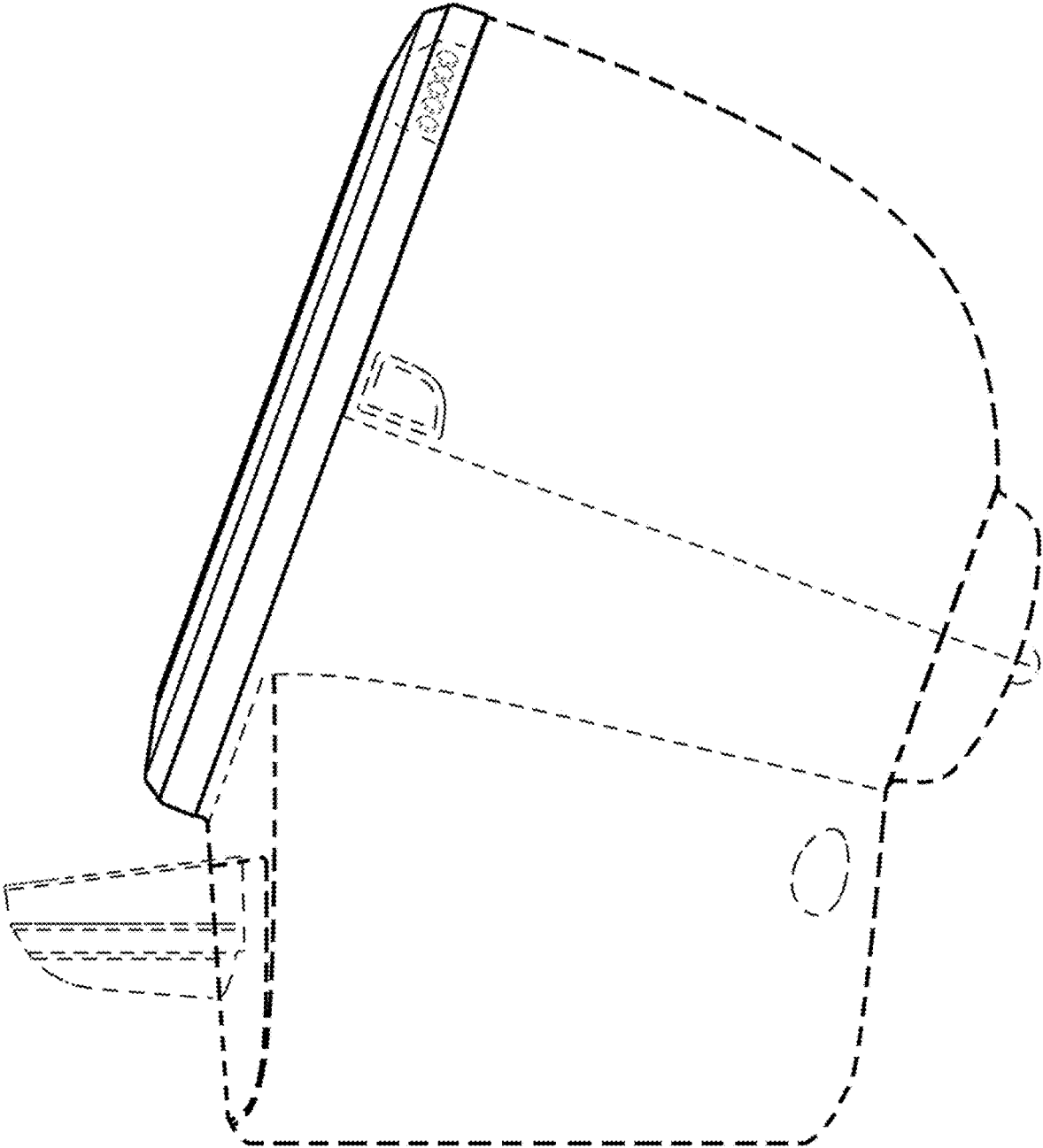


FIG.-6

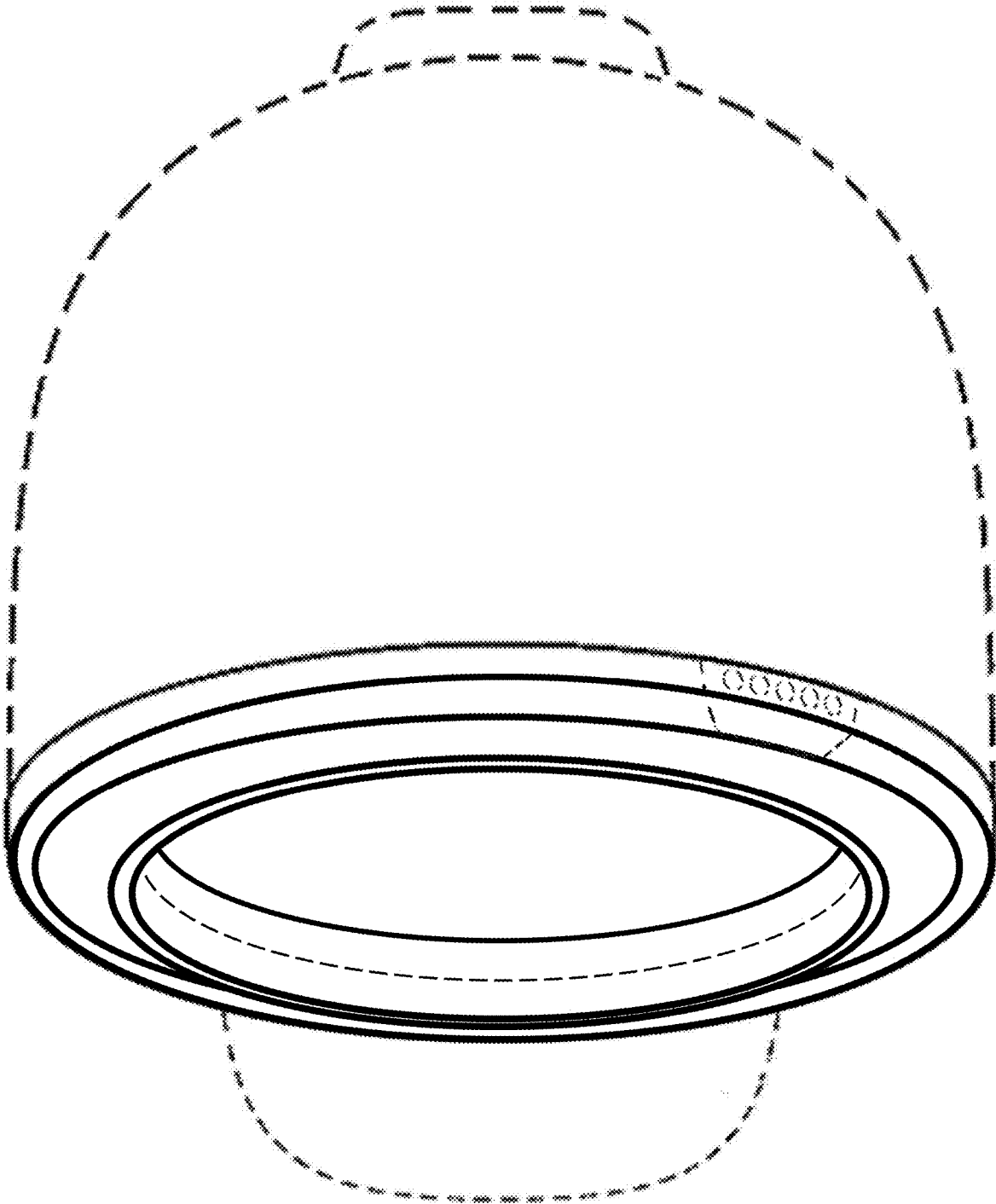


FIG.-7

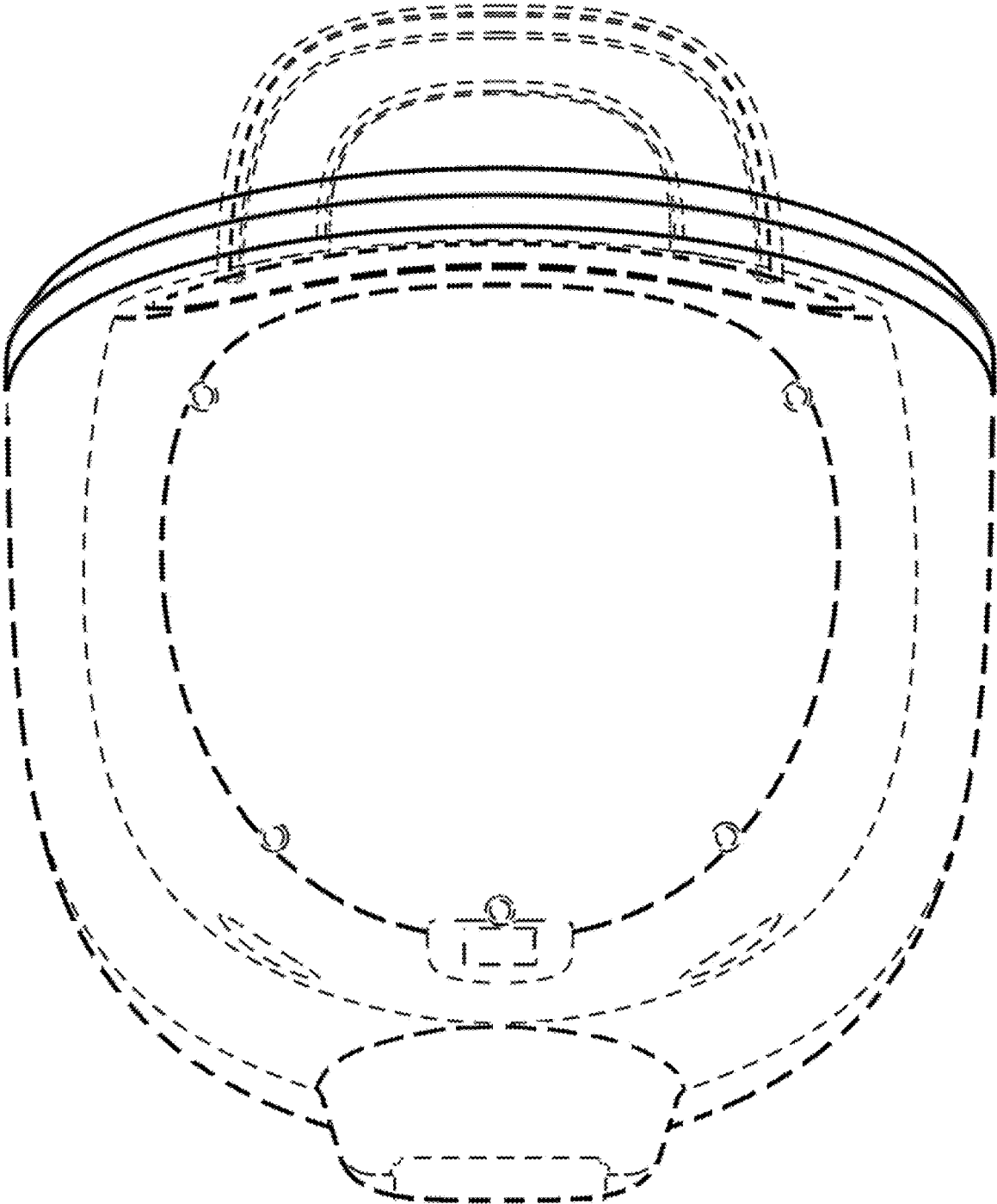


FIG.-8