



US00D715290S

(12) **United States Design Patent**
Bryan et al.

(10) **Patent No.:** **US D715,290 S**

(45) **Date of Patent:** **** Oct. 14, 2014**

(54) **HOUSING FOR A TABLET COMPUTING DEVICE**

(75) Inventors: **Philip Bryan**, Menlo Park, CA (US);
Richard Gioscia, Santa Clara, CA (US);
Seungheon Lee, Milpitas, CA (US)

(73) Assignee: **Hewlett-Packard Development Company, L.P.**, Houston, TX (US)

(**) Term: **14 Years**

(21) Appl. No.: **29/428,480**

(22) Filed: **Jul. 31, 2012**

(51) **LOC (10) Cl.** **14-02**

(52) **U.S. Cl.** **D14/341**
USPC

(58) **Field of Classification Search**
USPC D14/341-347, 137, 138 R, 138 AA,
D14/138 C, 138 G, 496, 203.1, 203.3, 203.4,
D14/203.7, 129, 130, 147, 218, 248, 389,
D14/388, 426, 420; D10/65, 104.1;
D18/6-7; D21/324, 329, 330;
455/556.1, 556.2, 566, 575.1, 90.3;
379/433.04, 433.01, 433.06, 916;
345/173, 901, 905; 361/679.26, 679.3,
361/679.55, 679.56

See application file for complete search history.

(56) **References Cited**

U.S. PATENT DOCUMENTS

| | | | | | | |
|----------|---|---|--------|----------------|-------|---------|
| D284,084 | S | * | 6/1986 | Ferrara, Jr. | | D14/389 |
| D408,416 | S | * | 4/1999 | Fenner et al. | | D14/239 |
| D463,499 | S | * | 9/2002 | Marcos | | D20/10 |
| D558,460 | S | * | 1/2008 | Yu et al. | | D6/308 |
| D558,736 | S | * | 1/2008 | Kita | | D14/214 |
| D566,066 | S | * | 4/2008 | Wang | | D14/126 |
| D584,305 | S | * | 1/2009 | Rothman | | D14/346 |
| D585,888 | S | * | 2/2009 | Watson et al. | | D14/341 |
| D588,562 | S | * | 3/2009 | Yamaguchi | | D14/126 |
| D593,553 | S | * | 6/2009 | Okamoto et al. | | D14/341 |

| | | | | | | |
|----------|---|---|---------|---------------|-------|-----------|
| D597,974 | S | * | 8/2009 | Iseki | | D14/126 |
| D600,455 | S | * | 9/2009 | Nell | | D6/308 |
| D606,071 | S | * | 12/2009 | Wu et al. | | D14/336 |
| D615,527 | S | * | 5/2010 | Hwang | | D14/203.8 |
| D638,014 | S | * | 5/2011 | Chong et al. | | D14/383 |
| D638,015 | S | * | 5/2011 | Chong et al. | | D14/383 |
| D638,836 | S | * | 5/2011 | Daniel | | D14/341 |
| D645,465 | S | * | 9/2011 | Lin et al. | | D14/341 |
| D655,684 | S | * | 3/2012 | Kim et al. | | D14/126 |
| D661,123 | S | * | 6/2012 | Curbun et al. | | D6/396 |
| D664,955 | S | * | 8/2012 | Kim et al. | | D14/341 |

(Continued)

Primary Examiner — Barbara Fox

(57) **CLAIM**

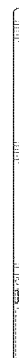
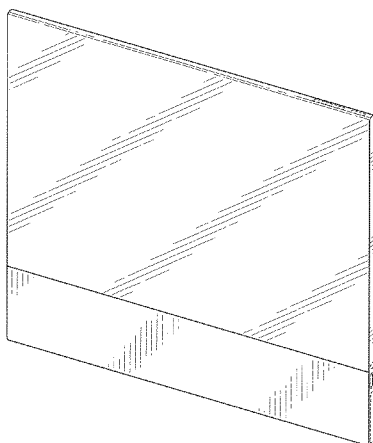
The ornamental design for a housing for a tablet computing device, as shown and described.

DESCRIPTION

FIG. 1 is a front perspective view of a housing for a tablet computing device, under a first embodiment;
 FIG. 2 is a front view of the housing of FIG. 1, under the first embodiment;
 FIG. 3 is a back view of the housing of FIG. 1, under the first embodiment;
 FIG. 4 is a first side view of the housing of FIG. 1, under the first embodiment;
 FIG. 5 is a second side view of the housing of FIG. 1, under the first embodiment;
 FIG. 6 is a top view of the housing of FIG. 1, under the first embodiment;
 FIG. 7 is a bottom view of the housing of FIG. 1, under the first embodiment;
 FIG. 8 is a front perspective view of a variation of the housing of FIG. 1, under the first embodiment; and,
 FIG. 9 is a front view of the variation of the housing of FIG. 8, under the first embodiment.

The broken lines shown in the drawings are for the purpose of illustrating portions of the housing for a mobile computing device, such as surface features, and form no part of the claimed design.

1 Claim, 7 Drawing Sheets



US D715,290 S

Page 2

(56)

References Cited

D678,877 S * 3/2013 Groene et al. D14/341
D680,110 S * 4/2013 Rossiter et al. D14/341

U.S. PATENT DOCUMENTS

D675,614 S * 2/2013 Feng et al. D14/341 * cited by examiner

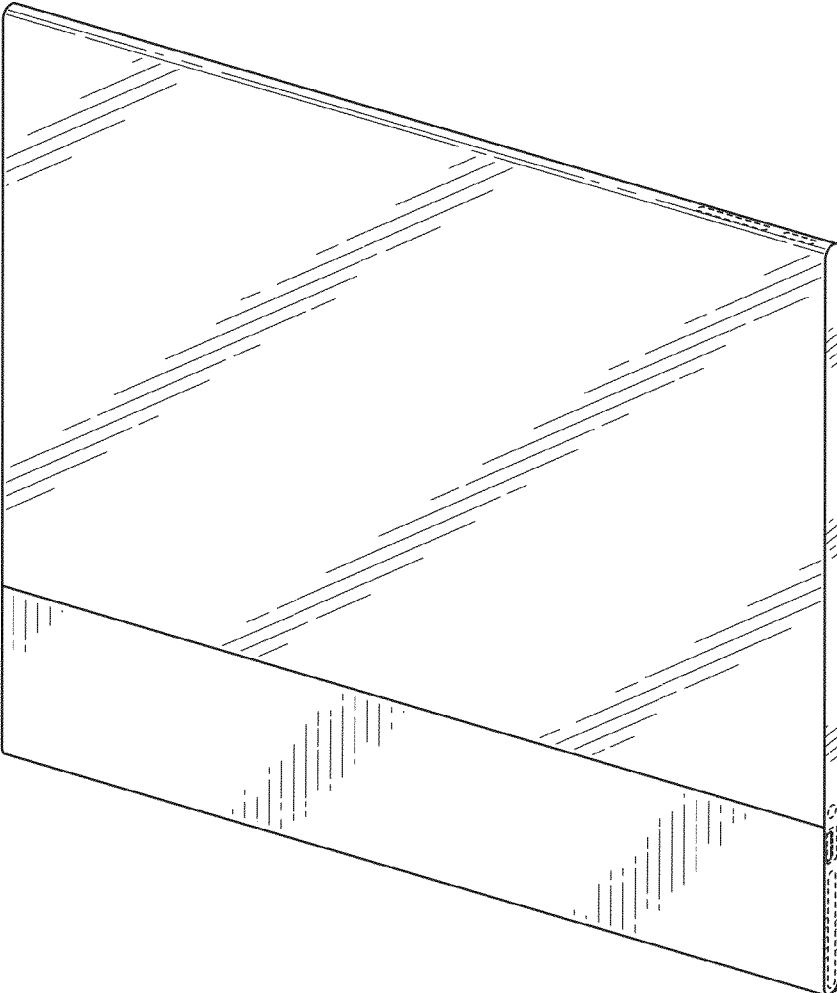


FIG. 1

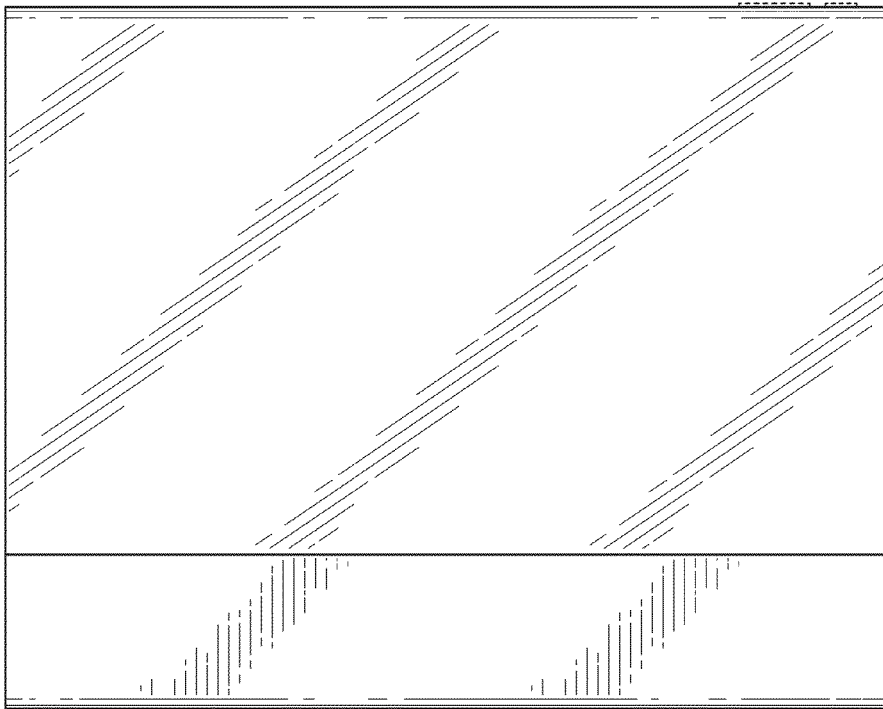


FIG. 2

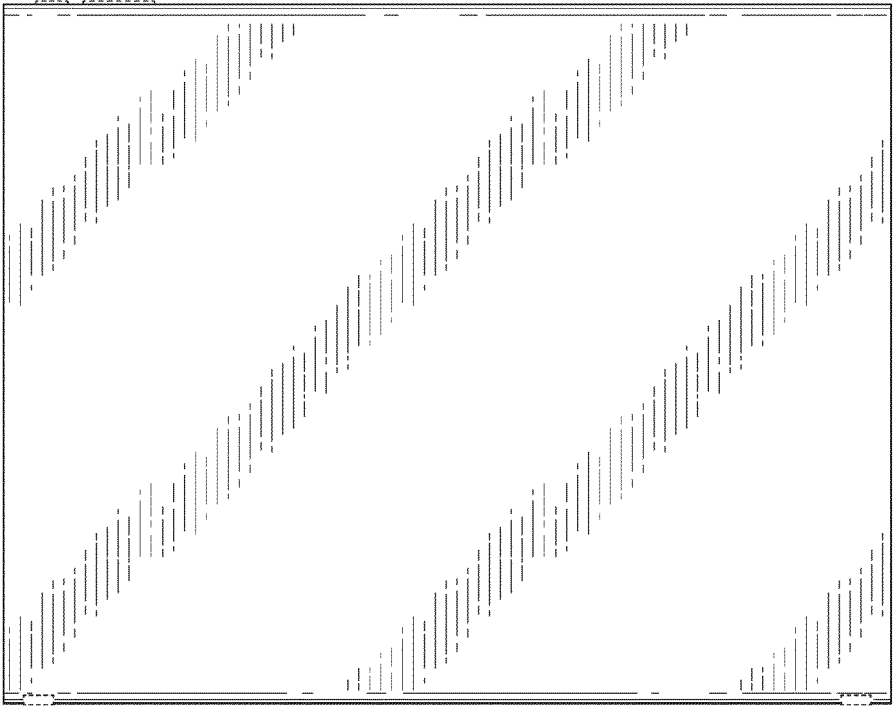


FIG. 3



FIG. 4



FIG. 5

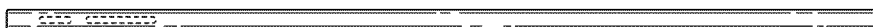


FIG. 6

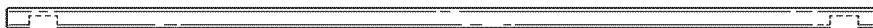


FIG. 7

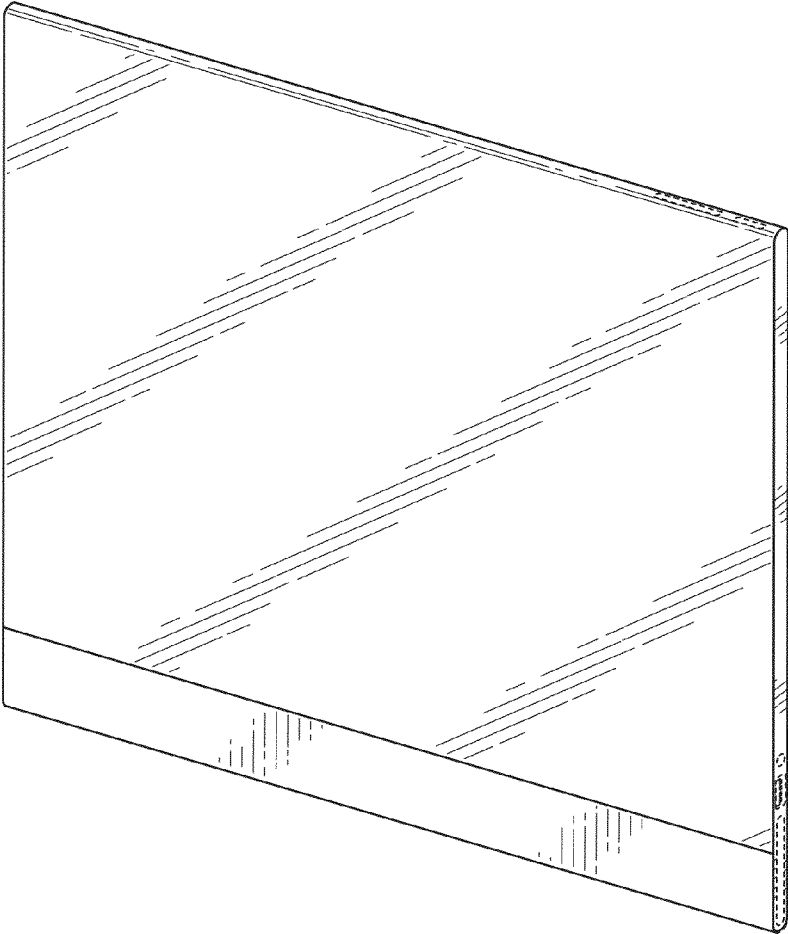


FIG. 8

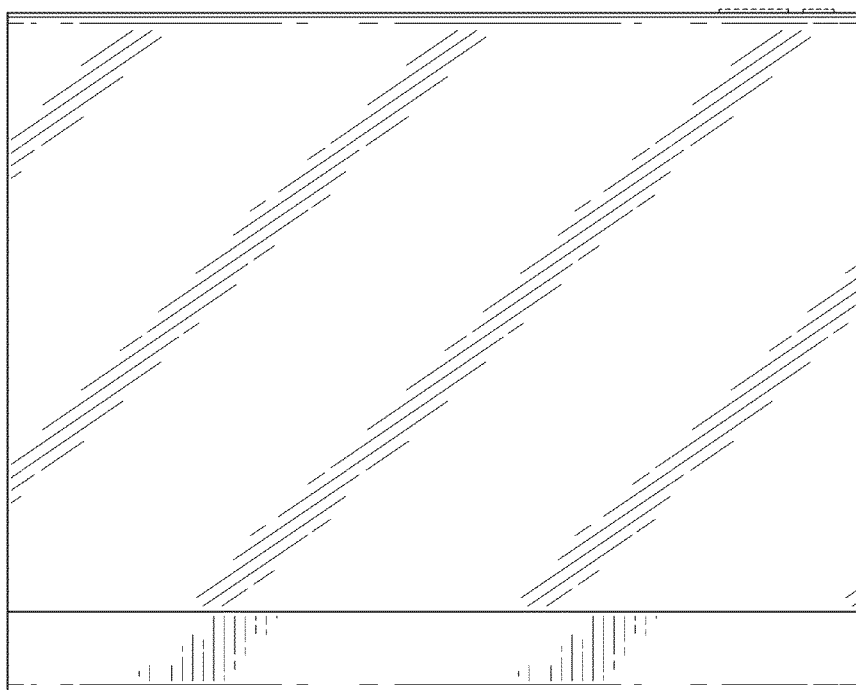


FIG. 9