



US00D555420S

(12) **United States Design Patent**
Voss

(10) **Patent No.:** **US D555,420 S**

(45) **Date of Patent:** **** Nov. 20, 2007**

(54) **MIXING MACHINE**

2,470,708 A * 5/1949 Le Witt 100/213
3,203,343 A * 8/1965 Myers 100/98 R

(75) Inventor: **Klaus W. Voss**, Uetersen (DE)

* cited by examiner

(73) Assignee: **VOSSCHEMIE GmbH**, Uetersen (DE)

Primary Examiner—Mimosa De

Assistant Examiner—Ricky Pham

(**) Term: **14 Years**

(74) *Attorney, Agent, or Firm*—Friedrich Kueffner

(21) Appl. No.: **29/269,489**

(57) **CLAIM**

(22) Filed: **Nov. 30, 2006**

The ornamental design for a mixing machine, as shown and described.

(51) **LOC (8) Cl.** **31-00**

(52) **U.S. Cl.** **D7/376**

(58) **Field of Classification Search** D7/376-386,
D7/412-414, 665; 99/509-511; 100/98 R,
100/125, 213; 241/30-37.5, 274-278.2,
241/285.1-285.3, 291, 292.1; 366/53-67,
366/98, 197-221, 241-254, 279-292, 341-347,
366/325.94

See application file for complete search history.

DESCRIPTION

FIG. 1 is a front-right side perspective view of a mixing machine showing my new design;

FIG. 2 is rear-right side perspective view thereof;

FIG. 3 is a front-left side perspective view thereof; and,

FIG. 4 is a rear-left side perspective view.

The broken lines shown in the drawings are for illustrating portions of the mixing machine that form no part of the claimed design.

(56) **References Cited**

U.S. PATENT DOCUMENTS

1,958,570 A * 5/1934 Flegel 100/125
2,142,002 A * 12/1938 Mocharnuk 100/98 R

1 Claim, 4 Drawing Sheets

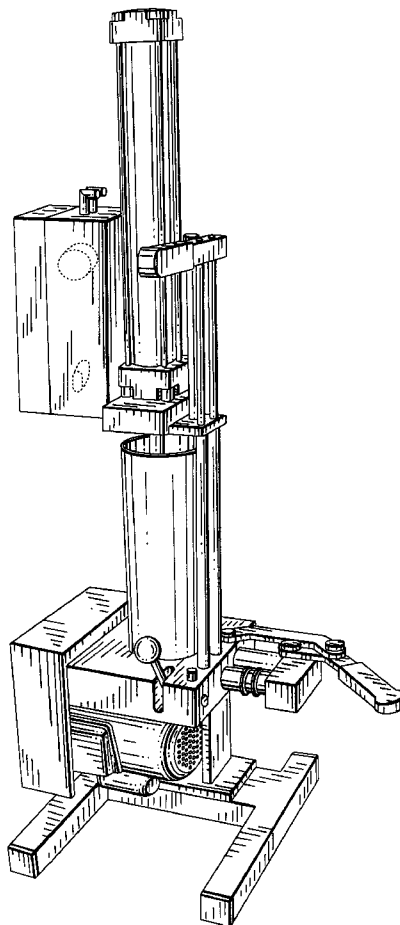
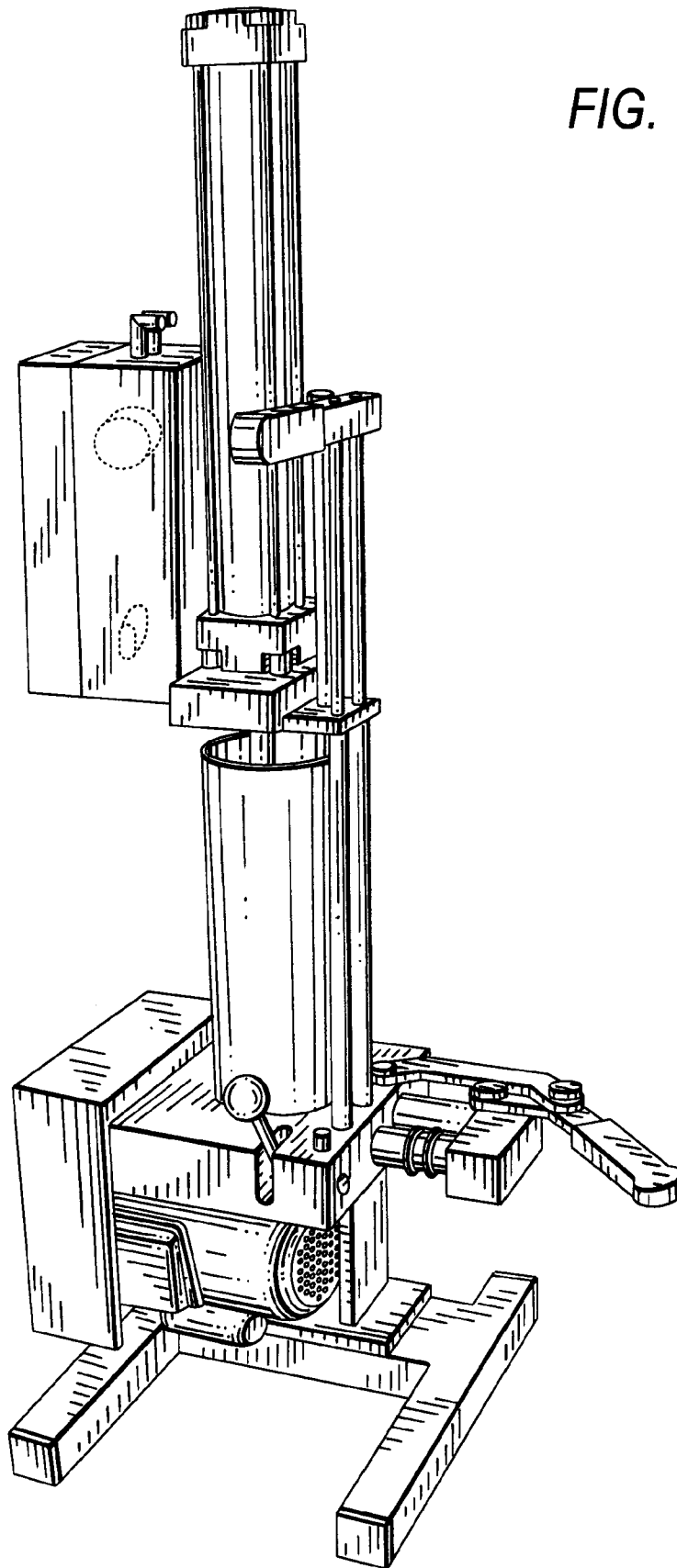


FIG. 1



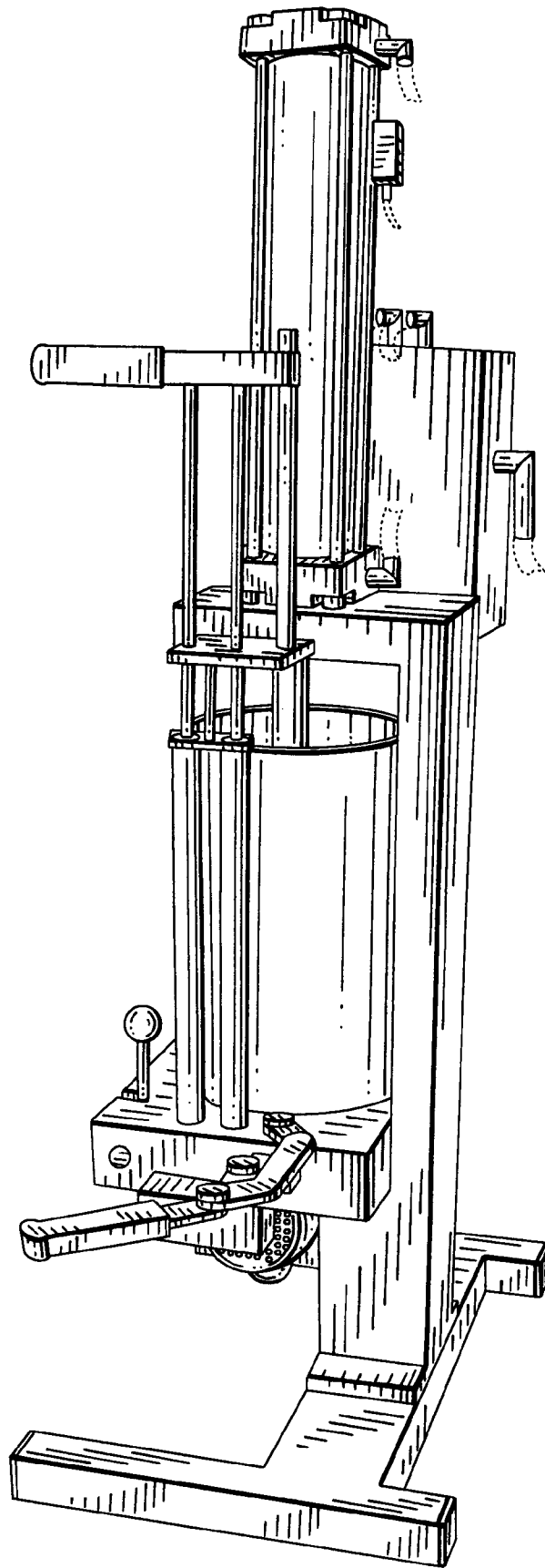


FIG. 2

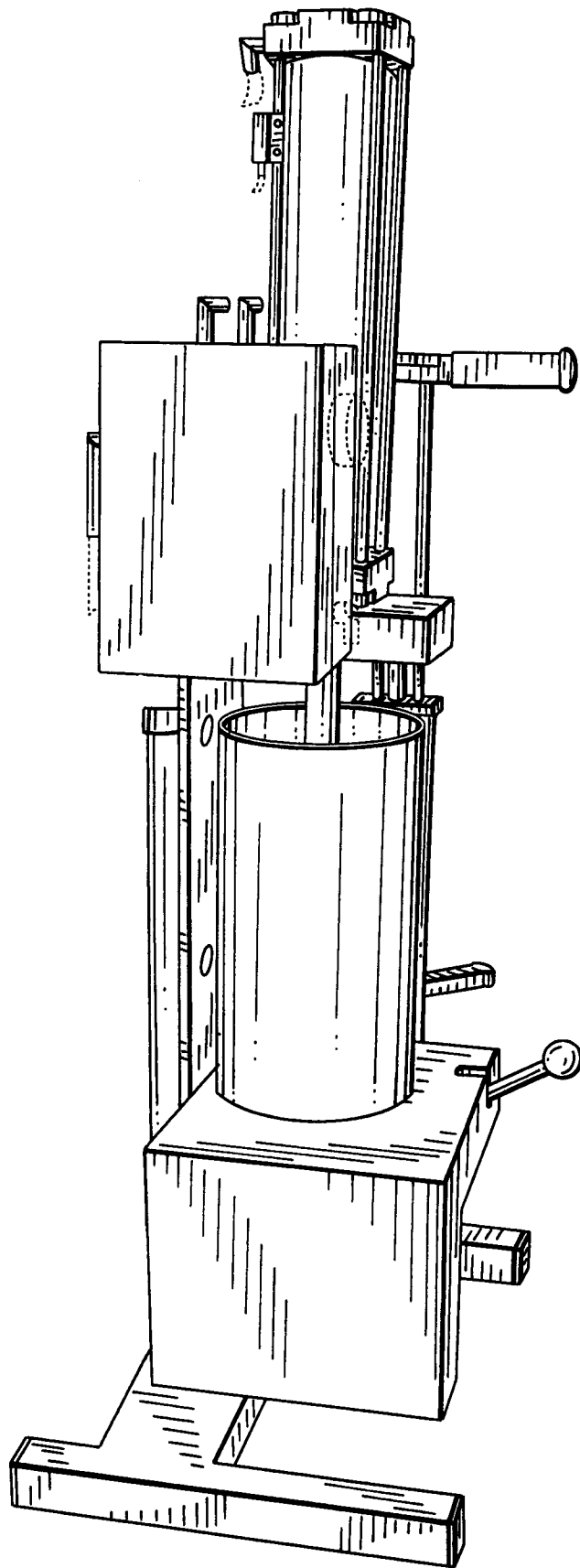


FIG. 3

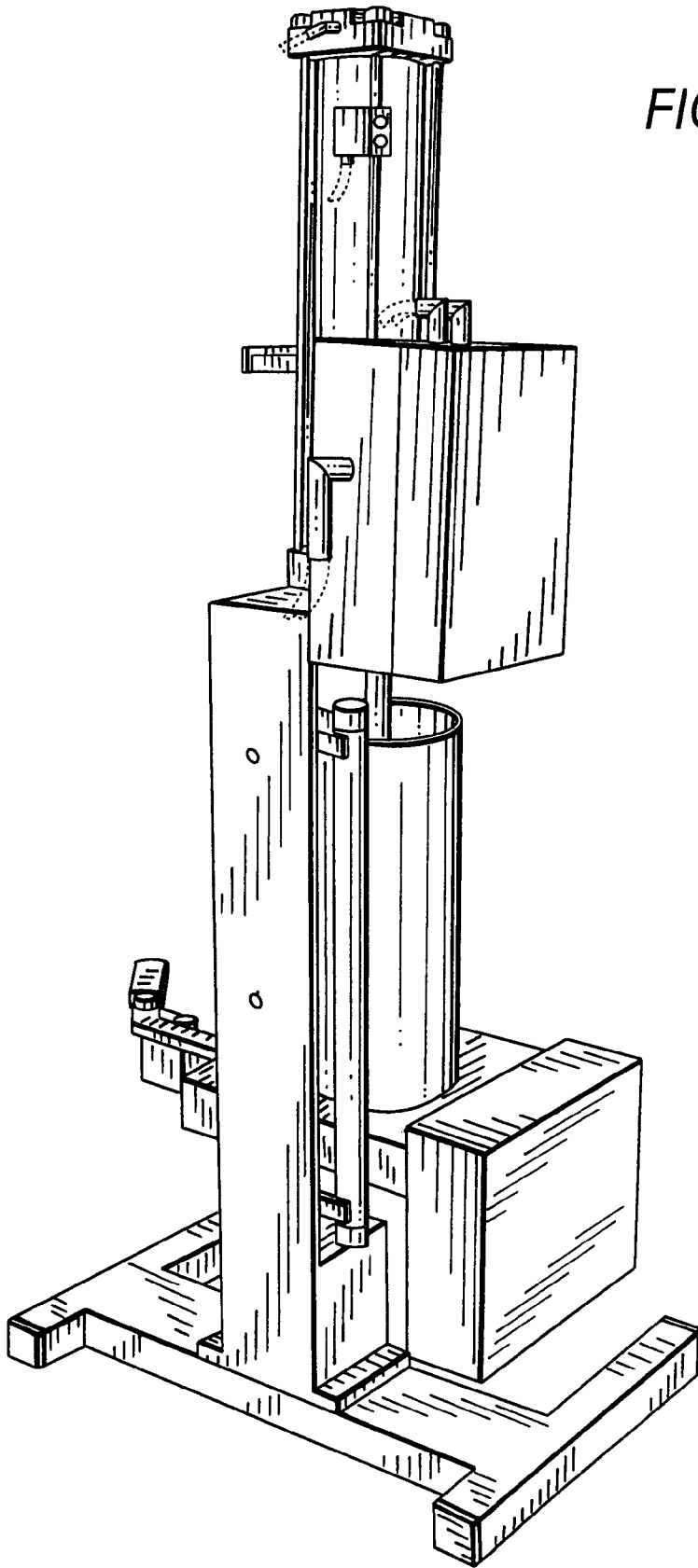


FIG. 4