

(12) NACH DEM VERTRAG ÜBER DIE INTERNATIONALE ZUSAMMENARBEIT AUF DEM GEBIET DES PATENTWESENS (PCT) VERÖFFENTLICHTE INTERNATIONALE ANMELDUNG

(19) Weltorganisation für geistiges Eigentum
Internationales Büro

(43) Internationales Veröffentlichungsdatum
12. April 2018 (12.04.2018)



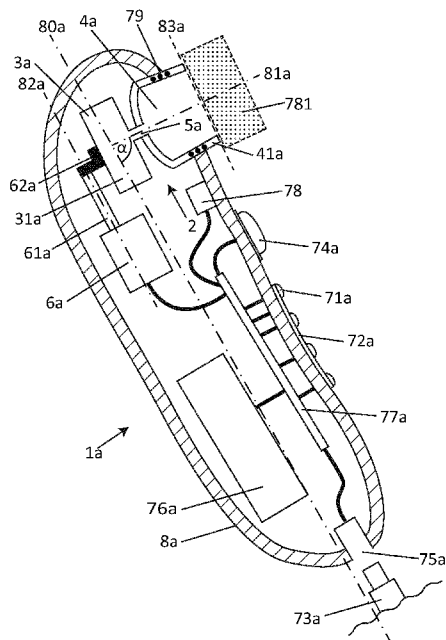
(10) Internationale Veröffentlichungsnummer
WO 2018/065540 A3

- (51) Internationale Patentklassifikation:
A61H 19/00 (2006.01) H02J 7/02 (2016.01)
A61H 9/00 (2006.01)
- (21) Internationales Aktenzeichen: PCT/EP2017/075400
- (22) Internationales Anmeldedatum:
05. Oktober 2017 (05.10.2017)
- (25) Einreichungssprache: Deutsch
- (26) Veröffentlichungssprache: Deutsch
- (30) Angaben zur Priorität:
20 2016 008 412.8
05. Oktober 2016 (05.10.2016) DE
- (71) Anmelder: NOVOLUTO GMBH [DE/DE]; Am Kupfergraben 6a, 10117 Berlin (DE).
- (72) Erfinder: LENKE, Michael; Gamelbertstraße 17, 94526 Metten (DE).
- (74) Anwalt: KUHNEN & WACKER PATENT- UND RECHTSANWALTSBÜRO; Prinz-Ludwig-Straße 40A, 85354 Freising (DE).
- (81) Bestimmungsstaaten (soweit nicht anders angegeben, für jede verfügbare nationale Schutzrechtsart): AE, AG, AL, AM, AO, AT, AU, AZ, BA, BB, BG, BH, BN, BR, BW, BY, BZ, CA, CH, CL, CN, CO, CR, CU, CZ, DE, DJ, DK, DM, DO, DZ, EC, EE, EG, ES, FI, GB, GD, GE, GH, GM, GT, HN, HR, HU, ID, IL, IN, IR, IS, JO, JP, KE, KG, KH, KN, KP, KR, KW, KZ, LA, LC, LK, LR, LS, LU, LY, MA, MD, ME, MG, MK, MN, MW, MX, MY, MZ, NA, NG, NI, NO, NZ, OM, PA, PE, PG, PH, PL, PT, QA, RO, RS, RU, RW, SA, SC, SD, SE, SG, SK, SL, SM, ST, SV, SY, TH, TJ, TM, TN, TR, TT, TZ, UA, UG, US, UZ, VC, VN, ZA, ZM, ZW.

(54) Title: IMPROVED STIMULATION APPARATUS

(54) Bezeichnung: VERBESSERTE STIMULATIONSVORRICHTUNG

Fig. 41



(57) Abstract: The invention relates to a clitoris (12) stimulation apparatus (1) with improved ergonomics and comprising: a pressure field generating device (2) having a drive unit (6) and a hollow space (10), the drive unit (6) being capable of periodically generating a pressure field with alternating positive and negative pressures in the hollow space (10) when the drive unit varies the volume of the hollow space (10), said hollow space (10) having an opening (42) which can be placed on the clitoris (12); a control device (7) designed to control the drive unit (6); and a sensor device (78) designed to detect when the stimulation apparatus (1) comes close to the clitoris (12) or, alternatively, when the stimulation apparatus (1) comes into contact with the clitoris (12), and designed to output an activation signal to the control device (7) upon detection of any approximation or contact. The control device (7) is designed such that the drive unit (6) is activated in the presence of an activation signal. The pressure field generating device (2), the control device (7) and the sensor device (78) are accommodated in a housing (8) of the stimulation apparatus (1) and the stimulation apparatus (1) is designed as a portable handheld appliance.

(57) Zusammenfassung: Die Erfindung betrifft eine in der Ergonomie verbesserte Stimulationsvorrichtung (1) für die Klitoris (12), aufweisend: eine Druckfelderzeugungseinrichtung (2) mit einer Antriebseinheit (6) und mit einem Hohlraum (10), wobei durch Volumenänderung des Hohlraums (10) mittels der Antriebseinheit (6) ein Druckfeld aus sich zeitlich abwechselnden Unter- und Überdrücken in dem Hohlraum (10) erzeugt werden kann, wobei der Hohlraum (10) eine Öffnung (42) zum Aufsetzen über die Klitoris (12) aufweist; eine Steuereinrichtung (7), die derart eingerichtet ist, dass diese die Antriebseinheit (6) ansteuern kann; eine Sensoreinrichtung (78), die derart eingerichtet ist, dass



WO 2018/065540 A3

(84) Bestimmungsstaaten (soweit nicht anders angegeben, für jede verfügbare regionale Schutzrechtsart): ARIPO (BW, GH, GM, KE, LR, LS, MW, MZ, NA, RW, SD, SL, ST, SZ, TZ, UG, ZM, ZW), eurasisches (AM, AZ, BY, KG, KZ, RU, TJ, TM), europäisches (AL, AT, BE, BG, CH, CY, CZ, DE, DK, EE, ES, FI, FR, GB, GR, HR, HU, IE, IS, IT, LT, LU, LV, MC, MK, MT, NL, NO, PL, PT, RO, RS, SE, SI, SK, SM, TR), OAPI (BF, BJ, CF, CG, CI, CM, GA, GN, GQ, GW, KM, ML, MR, NE, SN, TD, TG).

Veröffentlicht:

- mit internationalem Recherchenbericht (Artikel 21 Absatz 3)
- vor Ablauf der für Änderungen der Ansprüche geltenden Frist; Veröffentlichung wird wiederholt, falls Änderungen eingehen (Regel 48 Absatz 2 Buchstabe h)

(88) Veröffentlichungsdatum des internationalen Recherchenberichts:

05. Juli 2018 (05.07.2018)

diese eine Annäherung der Stimulationsvorrichtung (1) an die Klitoris (12) oder alternativ eine Berührung der Stimulationsvorrichtung (1) mit der Klitoris (12) erfassen kann, und dass diese bei Erfassung einer Annäherung oder einer Berührung ein Aktivierungssignal an die Steuereinrichtung (7) ausgeben kann; wobei die Steuereinrichtung (7) derart eingerichtet ist, dass die Antriebseinheit (6) bei Vorliegen eines Aktivierungssignals aktiviert wird; wobei die Druckfelderzeugungseinrichtung (2), die Steuereinrichtung (7) und die Sensoreinrichtung (78) in einem Gehäuse (8) der Stimulationsvorrichtung (1) untergebracht sind; wobei die Stimulationsvorrichtung (1) als tragbares Handgerät ausgeführt ist.

INTERNATIONAL SEARCH REPORT

International application No
PCT/EP2017/075400

A. CLASSIFICATION OF SUBJECT MATTER
INV. A61H19/00 A61H9/00 H02J7/02
ADD.
According to International Patent Classification (IPC) or to both national classification and IPC

B. FIELDS SEARCHED
Minimum documentation searched (classification system followed by classification symbols)
A61H

Documentation searched other than minimum documentation to the extent that such documents are included in the fields searched

Electronic data base consulted during the international search (name of data base and, where practicable, search terms used)
EPO-Internal, WPI Data

C. DOCUMENTS CONSIDERED TO BE RELEVANT

Category*	Citation of document, with indication, where appropriate, of the relevant passages	Relevant to claim No.
X	US 2015/328081 A1 (GOLDENBERG ALEX [US] ET AL) 19 November 2015 (2015-11-19)	1-5,7,11
Y	paragraphs [0059], [0072], [0074], [0075], [0081], [0110], [0117]; claims 1-3; figures	6
X	WO 2015/039787 A1 (NOVOLUTO GMBH [DE]) 26 March 2015 (2015-03-26)	9,10,12-14
Y	page 7, lines 23-24 page 11, line 21 - page 12, line 5 page 16, lines 9-11 page 17, lines 3-6 page 27, last paragraph; figures	1-4,6,8,11
Y	US 2014/236151 A1 (LEE CALVIN SPENCER [US]) 21 August 2014 (2014-08-21) abstract; claims 1,6; figures	1-4,11
	----- -/--	

Further documents are listed in the continuation of Box C.

See patent family annex.

* Special categories of cited documents :

- "A" document defining the general state of the art which is not considered to be of particular relevance
- "E" earlier application or patent but published on or after the international filing date
- "L" document which may throw doubts on priority claim(s) or which is cited to establish the publication date of another citation or other special reason (as specified)
- "O" document referring to an oral disclosure, use, exhibition or other means
- "P" document published prior to the international filing date but later than the priority date claimed

- "T" later document published after the international filing date or priority date and not in conflict with the application but cited to understand the principle or theory underlying the invention
- "X" document of particular relevance; the claimed invention cannot be considered novel or cannot be considered to involve an inventive step when the document is taken alone
- "Y" document of particular relevance; the claimed invention cannot be considered to involve an inventive step when the document is combined with one or more other such documents, such combination being obvious to a person skilled in the art
- "&" document member of the same patent family

Date of the actual completion of the international search 7 May 2018	Date of mailing of the international search report 18/05/2018
--	---

Name and mailing address of the ISA/ European Patent Office, P.B. 5818 Patentlaan 2 NL - 2280 HV Rijswijk Tel. (+31-70) 340-2040, Fax: (+31-70) 340-3016	Authorized officer Fischer, Elmar
--	---

INTERNATIONAL SEARCH REPORT

International application No
PCT/EP2017/075400

C(Continuation). DOCUMENTS CONSIDERED TO BE RELEVANT		
Category*	Citation of document, with indication, where appropriate, of the relevant passages	Relevant to claim No.
Y	US 2014/350333 A1 (STOUT KELSEY MACKENZIE [US]) 27 November 2014 (2014-11-27) abstract paragraph [0088]; figures -----	1-4,11
X	WO 2013/178223 A2 (BIERSCHENK FRANK [DE]) 5 December 2013 (2013-12-05) page 10, lines 3-5 page 13, lines 10-13 page 14, lines 12-18; figures 12a,12b,16 -----	5-12
X	US 2015/196455 A1 (MERTENS JANE [US] ET AL) 16 July 2015 (2015-07-16) paragraphs [0056], [0059], [0065]; figures -----	5-7,10
Y	US 6 464 653 B1 (HOVLAND CLAIRE T [US] ET AL) 15 October 2002 (2002-10-15) cited in the application column 7, lines 48-50 column 8, line 54 - column 9, line 57; figures 4-16 -----	8,11
A	US 5 377 701 A (FANG CUNYUN [CN]) 3 January 1995 (1995-01-03) cited in the application column 5, lines 40-49; figure 4 -----	5-7
A	US 2014/179994 A1 (TOPOLOVAC MICHAEL [US] ET AL) 26 June 2014 (2014-06-26) paragraphs [0021], [0028], [0042]; claims 4,16,20; figures -----	5-7,10, 13,14

INTERNATIONAL SEARCH REPORT

International application No.
PCT/EP2017/075400

Box No. II Observations where certain claims were found unsearchable (Continuation of item 2 of first sheet)

This international search report has not been established in respect of certain claims under Article 17(2)(a) for the following reasons:

- 1. Claims Nos.: 15-17
because they relate to subject matter not required to be searched by this Authority, namely:
see ANNEX PCT/ISA/210

- 2. Claims Nos.:
because they relate to parts of the international application that do not comply with the prescribed requirements to such an extent that no meaningful international search can be carried out, specifically:

- 3. Claims Nos.:
because they are dependent claims and are not drafted in accordance with the second and third sentences of Rule 6.4(a).

Box No. III Observations where unity of invention is lacking (Continuation of item 3 of first sheet)

This International Searching Authority found multiple inventions in this international application, as follows:

see supplemental sheet

- 1. As all required additional search fees were timely paid by the applicant, this international search report covers all searchable claims.
- 2. As all searchable claims could be searched without effort justifying additional fees, this Authority did not invite payment of additional fees.
- 3. As only some of the required additional search fees were timely paid by the applicant, this international search report covers only those claims for which fees were paid, specifically claims Nos.:

- 4. No required additional search fees were timely paid by the applicant. Consequently, this international search report is restricted to the invention first mentioned in the claims; it is covered by claims Nos.:

Remark on Protest

- The additional search fees were accompanied by the applicant's protest and, where applicable, the payment of a protest fee.
- The additional search fees were accompanied by the applicant's protest but the applicable protest fee was not paid within the time limit specified in the invitation.
- No protest accompanied the payment of additional search fees.

The International Searching Authority has found that the international application contains multiple (groups of) inventions, as follows:

1. Claims 2-4, 11 (in full); 1 (in part)

Stimulation apparatus for the clitoris, comprising a pressure field generating device having a drive unit and a hollow space, wherein the drive unit is capable of periodically generating a pressure field with alternating positive and negative pressures in the hollow space by varying the volume of the hollow space, wherein said hollow space has an opening that can be placed on the clitoris; a sensor device designed to detect when the stimulation apparatus comes close to the clitoris or, alternatively, when the stimulation apparatus comes into contact with the clitoris, and designed to output an activation signal to the control device upon detection of any approximation or contact; wherein the control device is designed such that the drive unit is activated in the presence of an activation signal.

2. Claims 5-7

Stimulation apparatus for the clitoris, comprising a pressure field generating device having a drive unit and a hollow space, wherein the drive unit is capable of periodically generating a pressure field with alternating positive and negative pressures in the hollow space by varying the volume of the hollow space, wherein said hollow space has an opening that can be placed on the clitoris, wherein the stimulation apparatus comprises a heating element which serves to heat a wall of the stimulation apparatus.

3. Claims 8 (in full); 1 (in part)

Stimulation apparatus for the clitoris, comprising a housing that has an essentially pin-shaped design, wherein the housing has a longitudinal axis that extends from a front end of the housing to a rear end of the housing, wherein an opening of the housing is arranged in such a manner that the longitudinal axis of the housing passes through the opening of the housing.

4. Claims 9 (in full); 1 (in part)

Stimulation apparatus for the clitoris, wherein the drive unit is an electric motor with a drive shaft and the central axis of the drive shaft of the electric motor is arranged substantially parallel, coaxially or perpendicular to the alignment axis.

5. Claims 10 (in full); 1 (in part)

Stimulation apparatus for the clitoris, stimulation apparatus according to one of the preceding claims, wherein the pressure field generating device is designed in such a manner that said pressure field generating device comprises at least one damping element.

6. Claims 12 (in full); 1 (in part)

Stimulation apparatus for the clitoris, wherein the hollow space of the pressure field generating device has at least a first chamber and at least a second chamber with the opening that can be placed on the clitoris and at least one connecting element with at least one opening into the second chamber, the connecting element connecting the first chamber to the second chamber, and wherein the drive unit can change the volume of the first chamber by deflecting the flexible wall such that the pressure field, which serves for stimulation, is generated via the connecting element in the second chamber.

Continuation of Box II.1

Claims 15-17

PCT Rule 39.1(iv) - methods for treatment of the human or animal body by therapy. In particular, independent method claims 15 and 16 relate to the use of a stimulation apparatus for the clitoris and a method for stimulating the clitoris. These methods are inevitably and inseparably linked with therapeutic effects, such as for example the treatment of sexual functional disorders and the therapy of blood vessels of the clitoris. The disclaimer “for sexual pleasure, and not for medical or therapeutic purposes”, as specified in independent claims 15 and 16, is not clear (PCT Article 6), since a separation of therapeutic and non-therapeutic effects is not possible and an inevitable - at least also - therapeutic method cannot be designated a non-therapeutic method. As a result, the claims become inconsistent as a result of the disclaimer. Moreover, it is not clear (PCT Article 6) and also not disclosed (PCT Article 5) how an exclusively non-therapeutic use could be achieved. To this effect, the application discloses neither the necessary method steps nor the required technical features of the stimulation apparatus. After all, the methods in question are not industrially applicable (PCT Article 34(4)), because they are used in the private and personal domain.

INTERNATIONAL SEARCH REPORT

Information on patent family members

International application No

PCT/EP2017/075400

Patent document cited in search report	Publication date	Patent family member(s)	Publication date
US 2015328081	A1	19-11-2015	NONE
WO 2015039787	A1	26-03-2015	AU 2014323661 A1 24-03-2016 AU 2018200852 A1 22-02-2018 CA 2923526 A1 26-03-2015 CN 105579017 A 11-05-2016 CN 107519004 A 29-12-2017 DE 102013110501 A1 26-03-2015 EP 2976057 A1 27-01-2016 EP 3308762 A1 18-04-2018 EP 3311787 A1 25-04-2018 HK 1214126 A1 22-07-2016 US 2016213557 A1 28-07-2016 US 2017065483 A1 09-03-2017 WO 2015039787 A1 26-03-2015
US 2014236151	A1	21-08-2014	CN 102188316 A 21-09-2011 CN 201701457 U 12-01-2011 EP 2364687 A1 14-09-2011 HK 1161829 A1 17-07-2015 US 2011034837 A1 10-02-2011 US 2012330097 A1 27-12-2012 US 2013226050 A1 29-08-2013 US 2014236151 A1 21-08-2014 US 2017095399 A1 06-04-2017 US 2018071167 A1 15-03-2018
US 2014350333	A1	27-11-2014	NONE
WO 2013178223	A2	05-12-2013	DE 112013002900 A5 12-03-2015 DE 202012005414 U1 21-06-2012 EP 2895135 A2 22-07-2015 WO 2013178223 A2 05-12-2013
US 2015196455	A1	16-07-2015	US 2013116503 A1 09-05-2013 US 2015196455 A1 16-07-2015 WO 2013067367 A1 10-05-2013
US 6464653	B1	15-10-2002	AT 397435 T 15-06-2008 AU 1733400 A 05-06-2000 CA 2350498 A1 25-05-2000 EP 1143909 A2 17-10-2001 JP 2002529199 A 10-09-2002 TW 476646 B 21-02-2002 US 6464653 B1 15-10-2002 WO 0028939 A2 25-05-2000
US 5377701	A	03-01-1995	CN 1078135 A 10-11-1993 JP H06209975 A 02-08-1994 US 5377701 A 03-01-1995
US 2014179994	A1	26-06-2014	US 2014046127 A1 13-02-2014 US 2014088470 A1 27-03-2014 US 2014179994 A1 26-06-2014 US 2016296417 A1 13-10-2016 US 2017156971 A1 08-06-2017

A. KLASSIFIZIERUNG DES ANMELDUNGSGEGENSTANDES INV. A61H19/00 A61H9/00 H02J7/02 ADD.		
Nach der Internationalen Patentklassifikation (IPC) oder nach der nationalen Klassifikation und der IPC		
B. RECHERCHIERTE GEBIETE		
Recherchierter Mindestprüfstoff (Klassifikationssystem und Klassifikationssymbole) A61H		
Recherchierte, aber nicht zum Mindestprüfstoff gehörende Veröffentlichungen, soweit diese unter die recherchierten Gebiete fallen		
Während der internationalen Recherche konsultierte elektronische Datenbank (Name der Datenbank und evtl. verwendete Suchbegriffe) EPO-Internal, WPI Data		
C. ALS WESENTLICH ANGESEHENE UNTERLAGEN		
Kategorie*	Bezeichnung der Veröffentlichung, soweit erforderlich unter Angabe der in Betracht kommenden Teile	Betr. Anspruch Nr.
X	US 2015/328081 A1 (GOLDENBERG ALEX [US] ET AL) 19. November 2015 (2015-11-19)	1-5,7,11
Y	Absätze [0059], [0072], [0074], [0075], [0081], [0110], [0117]; Ansprüche 1-3; Abbildungen	6

X	WO 2015/039787 A1 (NOVOLUTO GMBH [DE]) 26. März 2015 (2015-03-26)	9,10, 12-14
Y	Seite 7, Zeilen 23-24 Seite 11, Zeile 21 - Seite 12, Zeile 5 Seite 16, Zeilen 9-11 Seite 17, Zeilen 3-6 Seite 27, letzter Absatz; Abbildungen	1-4,6,8, 11

Y	US 2014/236151 A1 (LEE CALVIN SPENCER [US]) 21. August 2014 (2014-08-21) Zusammenfassung; Ansprüche 1,6; Abbildungen	1-4,11

	-/--	
<input checked="" type="checkbox"/> Weitere Veröffentlichungen sind der Fortsetzung von Feld C zu entnehmen <input checked="" type="checkbox"/> Siehe Anhang Patentfamilie		
* Besondere Kategorien von angegebenen Veröffentlichungen : "A" Veröffentlichung, die den allgemeinen Stand der Technik definiert, aber nicht als besonders bedeutsam anzusehen ist "E" frühere Anmeldung oder Patent, die bzw. das jedoch erst am oder nach dem internationalen Anmeldedatum veröffentlicht worden ist "L" Veröffentlichung, die geeignet ist, einen Prioritätsanspruch zweifelhaft erscheinen zu lassen, oder durch die das Veröffentlichungsdatum einer anderen im Recherchenbericht genannten Veröffentlichung belegt werden soll oder die aus einem anderen besonderen Grund angegeben ist (wie ausgeführt) "O" Veröffentlichung, die sich auf eine mündliche Offenbarung, eine Benutzung, eine Ausstellung oder andere Maßnahmen bezieht "P" Veröffentlichung, die vor dem internationalen Anmeldedatum, aber nach dem beanspruchten Prioritätsdatum veröffentlicht worden ist "T" Spätere Veröffentlichung, die nach dem internationalen Anmeldedatum oder dem Prioritätsdatum veröffentlicht worden ist und mit der Anmeldung nicht kollidiert, sondern nur zum Verständnis des der Erfindung zugrundeliegenden Prinzips oder der ihr zugrundeliegenden Theorie angegeben ist "X" Veröffentlichung von besonderer Bedeutung; die beanspruchte Erfindung kann allein aufgrund dieser Veröffentlichung nicht als neu oder auf erfinderischer Tätigkeit beruhend betrachtet werden "Y" Veröffentlichung von besonderer Bedeutung; die beanspruchte Erfindung kann nicht als auf erfinderischer Tätigkeit beruhend betrachtet werden, wenn die Veröffentlichung mit einer oder mehreren Veröffentlichungen dieser Kategorie in Verbindung gebracht wird und diese Verbindung für einen Fachmann naheliegend ist "&" Veröffentlichung, die Mitglied derselben Patentfamilie ist		
Datum des Abschlusses der internationalen Recherche		Absenddatum des internationalen Recherchenberichts
7. Mai 2018		18/05/2018
Name und Postanschrift der Internationalen Recherchenbehörde Europäisches Patentamt, P.B. 5818 Patentlaan 2 NL - 2280 HV Rijswijk Tel. (+31-70) 340-2040, Fax: (+31-70) 340-3016		Bevollmächtigter Bediensteter Fischer, Elmar

C. (Fortsetzung) ALS WESENTLICH ANGESEHENE UNTERLAGEN		
Kategorie*	Bezeichnung der Veröffentlichung, soweit erforderlich unter Angabe der in Betracht kommenden Teile	Betr. Anspruch Nr.
Y	US 2014/350333 A1 (STOUT KELSEY MACKENZIE [US]) 27. November 2014 (2014-11-27) Zusammenfassung Absatz [0088]; Abbildungen -----	1-4,11
X	WO 2013/178223 A2 (BIERSCHENK FRANK [DE]) 5. Dezember 2013 (2013-12-05) Seite 10, Zeilen 3-5 Seite 13, Zeilen 10-13 Seite 14, Zeilen 12-18; Abbildungen 12a,12b,16 -----	5-12
X	US 2015/196455 A1 (MERTENS JANE [US] ET AL) 16. Juli 2015 (2015-07-16) Absätze [0056], [0059], [0065]; Abbildungen -----	5-7,10
Y	US 6 464 653 B1 (HOVLAND CLAIRE T [US] ET AL) 15. Oktober 2002 (2002-10-15) in der Anmeldung erwähnt Spalte 7, Zeilen 48-50 Spalte 8, Zeile 54 - Spalte 9, Zeile 57; Abbildungen 4-16 -----	8,11
A	US 5 377 701 A (FANG CUNYUN [CN]) 3. Januar 1995 (1995-01-03) in der Anmeldung erwähnt Spalte 5, Zeilen 40-49; Abbildung 4 -----	5-7
A	US 2014/179994 A1 (TOPOLOVAC MICHAEL [US] ET AL) 26. Juni 2014 (2014-06-26) Absätze [0021], [0028], [0042]; Ansprüche 4,16,20; Abbildungen -----	5-7,10, 13,14

Feld Nr. II Bemerkungen zu den Ansprüchen, die sich als nicht recherchierbar erwiesen haben (Fortsetzung von Punkt 2 auf Blatt 1)

Gemäß Artikel 17(2)a) wurde aus folgenden Gründen für bestimmte Ansprüche kein internationaler Recherchenbericht erstellt:

1. Ansprüche Nr. **15-17**
weil sie sich auf Gegenstände beziehen, zu deren Recherche diese Behörde nicht verpflichtet ist, nämlich
siehe BEIBLATT PCT/ISA/210
2. Ansprüche Nr.
weil sie sich auf Teile der internationalen Anmeldung beziehen, die den vorgeschriebenen Anforderungen so wenig entsprechen, dass eine sinnvolle internationale Recherche nicht durchgeführt werden kann, nämlich
3. Ansprüche Nr.
weil es sich dabei um abhängige Ansprüche handelt, die nicht entsprechend Satz 2 und 3 der Regel 6.4 a) abgefasst sind.

Feld Nr. III Bemerkungen bei mangelnder Einheitlichkeit der Erfindung (Fortsetzung von Punkt 3 auf Blatt 1)

Diese Internationale Recherchenbehörde hat festgestellt, dass diese internationale Anmeldung mehrere Erfindungen enthält:

siehe Zusatzblatt

1. Da der Anmelder alle erforderlichen zusätzlichen Recherchegebühren rechtzeitig entrichtet hat, erstreckt sich dieser internationale Recherchenbericht auf alle recherchierbaren Ansprüche.
2. Da für alle recherchierbaren Ansprüche die Recherche ohne einen Arbeitsaufwand durchgeführt werden konnte, der zusätzliche Recherchegebühr gerechtfertigt hätte, hat die Behörde nicht zur Zahlung solcher Gebühren aufgefordert.
3. Da der Anmelder nur einige der erforderlichen zusätzlichen Recherchegebühren rechtzeitig entrichtet hat, erstreckt sich dieser internationale Recherchenbericht nur auf die Ansprüche, für die Gebühren entrichtet worden sind, nämlich auf die Ansprüche Nr.
4. Der Anmelder hat die erforderlichen zusätzlichen Recherchegebühren nicht rechtzeitig entrichtet. Dieser internationale Recherchenbericht beschränkt sich daher auf die in den Ansprüchen zuerst erwähnte Erfindung; diese ist in folgenden Ansprüchen erfasst:

Bemerkungen hinsichtlich eines Widerspruchs

- Der Anmelder hat die zusätzlichen Recherchegebühren unter Widerspruch entrichtet und die gegebenenfalls erforderliche Widerspruchsgebühr gezahlt.
- Die zusätzlichen Recherchegebühren wurden vom Anmelder unter Widerspruch gezahlt, jedoch wurde die entsprechende Widerspruchsgebühr nicht innerhalb der in der Aufforderung angegebenen Frist entrichtet.
- Die Zahlung der zusätzlichen Recherchegebühren erfolgte ohne Widerspruch.

WEITERE ANGABEN

PCT/ISA/ 210

Die internationale Recherchenbehörde hat festgestellt, dass diese internationale Anmeldung mehrere (Gruppen von) Erfindungen enthält, nämlich:

1. Ansprüche: 2-4, 11(vollständig); 1(teilweise)

Stimulationsvorrichtung für die Klitoris, aufweisend eine Druckfelderzeugungseinrichtung mit einer Antriebseinheit und mit einem Hohlraum, wobei durch Volumenänderung des Hohlraums mittels der Antriebseinheit ein Druckfeld aus sich zeitlich abwechselnden Unter- und Überdrücken in dem Hohlraum erzeugt werden kann, wobei der Hohlraum eine Öffnung zum Aufsetzen über die Klitoris aufweist; eine Sensoreinrichtung, die derart eingerichtet ist, dass diese eine Annäherung der Stimulationsvorrichtung an die Klitoris oder alternativ eine Berührung der Stimulationsvorrichtung mit der Klitoris erfassen kann, und dass diese bei Erfassung einer Annäherung oder einer Berührung ein Aktivierungssignal an die Steuereinrichtung ausgeben kann; wobei die Steuereinrichtung derart eingerichtet ist, dass die Antriebseinheit bei Vorliegen eines Aktivierungssignals aktiviert wird.

2. Ansprüche: 5-7

Stimulationsvorrichtung für die Klitoris, aufweisend eine Druckfelderzeugungseinrichtung mit einer Antriebseinheit und mit einem Hohlraum, wobei durch Volumenänderung des Hohlraums mittels der Antriebseinheit ein Druckfeld aus sich zeitlich abwechselnden Unter- und Überdrücken in dem Hohlraum erzeugt werden kann, wobei der Hohlraum eine Öffnung zum Aufsetzen über die Klitoris aufweist, wobei die Stimulationsvorrichtung ein Heizelement aufweist, welches der Erwärmung einer Wand der Stimulationsvorrichtung dient.

3. Ansprüche: 8(vollständig); 1(teilweise)

Stimulationsvorrichtung für die Klitoris, mit einem Gehäuse, das im Wesentlichen stiftförmig ausgebildet ist, wobei das Gehäuse eine Längsachse aufweist, die sich von einem vorderen Ende des Gehäuses bis zu einem hinteren Ende des Gehäuses erstreckt, wobei eine Öffnung des Gehäuses derart angeordnet ist, dass die Längsachse des Gehäuses durch die Öffnung des Gehäuses durchtritt.

4. Ansprüche: 9(vollständig); 1(teilweise)

Stimulationsvorrichtung für die Klitoris, wobei die Antriebseinheit ein Elektromotor mit einer Antriebswelle ist und die Mittelachse der Antriebswelle des Elektromotors im Wesentlichen parallel, koaxial oder senkrecht zur Ausrichtungssachse angeordnet ist.

WEITERE ANGABEN

PCT/ISA/ 210

5. Ansprüche: 10(vollständig); 1(teilweise)

Stimulationsvorrichtung für die Klitoris, Stimulationsvorrichtung gemäß einem der vorhergehenden Ansprüche, wobei die Druckfelderzeugungseinrichtung derart ausgestaltet ist, dass diese zumindest ein Dämpfungselement aufweist.

6. Ansprüche: 12(vollständig); 1(teilweise)

Stimulationsvorrichtung für die Klitoris, wobei der Hohlraum der Druckfelderzeugungseinrichtung zumindest eine erste Kammer und zumindest eine zweite Kammer mit der Öffnung zum Aufsetzen über die Klitoris und zumindest ein Verbindungselement mit zumindest einer Öffnung in die zweite Kammer aufweist, und wobei das Verbindungselement die erste Kammer mit der zweiten Kammer verbindet, und wobei die Antriebseinheit das Volumen der ersten Kammer durch Auslenkung der flexiblen Wand derart verändern kann, dass über das Verbindungselement in der zweiten Kammer das Druckfeld erzeugt wird, welches der Stimulation dient.

7. Ansprüche: 13, 14

Stimulationsvorrichtung für die Klitoris, umfassend eine Steuereinrichtung, welche derart eingerichtet ist, dass die Abfolge der Stimulationsmuster bzw. die Unter- und Überdrücke des Druckfelds zufällig eingestellt bzw. erzeugt werden.

WEITERE ANGABEN

PCT/ISA/ 210

Fortsetzung von Feld II.1

Ansprüche Nr.: 15-17

Regel 39.1 iv) PCT - Verfahren zur therapeutischen Behandlung des menschlichen oder tierischen Körpers. Insbesondere betreffen die unabhängigen Verfahrensansprüche 15, 16 die Verwendung einer Stimulationsvorrichtung für die Klitoris bzw. ein Verfahren zur Stimulation der Klitoris. Diese Verfahren sind zwangsläufig und untrennbar mit therapeutischen Effekten verbunden, wie beispielsweise der Behandlung sexueller Funktionsstörungen und Therapie der Blutgefäße der Klitoris. Der in den unabhängigen Ansprüchen 15, 16 enthaltene Disclaimer "zum sexuellen Vergnügen, und nicht zu medizinischen oder therapeutischen Zwecken" ist nicht klar (Art. 6 PCT), da eine Trennung von therapeutischen und nicht-therapeutischen Effekten nicht möglich ist und ein unvermeidlich - zumindest auch - therapeutisches Verfahren nicht als nicht-therapeutisch bezeichnet werden kann. Die Ansprüche werden folglich durch den Disclaimer in sich widersprüchlich. Überdies ist nicht klar (Art. 6 PCT) - und auch nicht offenbart (Art. 5 PCT) - wie eine ausschließlich nicht-therapeutische Verwendung erreicht werden könnte. Hierzu offenbart die Anmeldung weder die notwendigen Verfahrensschritte noch die notwendigen technischen Merkmale der Stimulationsvorrichtung. Schließlich sind die betreffenden Verfahren nicht gewerblich anwendbar (Artikel 33(4) PCT), da sie im privaten, persönlichen Bereich angewendet werden.

INTERNATIONALER RECHERCHENBERICHT

Angaben zu Veröffentlichungen, die zur selben Patentfamilie gehören

Internationales Aktenzeichen

PCT/EP2017/075400

Im Recherchenbericht angeführtes Patentdokument	Datum der Veröffentlichung	Mitglied(er) der Patentfamilie	Datum der Veröffentlichung
US 2015328081	A1	19-11-2015	KEINE
WO 2015039787	A1	26-03-2015	AU 2014323661 A1 24-03-2016 AU 2018200852 A1 22-02-2018 CA 2923526 A1 26-03-2015 CN 105579017 A 11-05-2016 CN 107519004 A 29-12-2017 DE 102013110501 A1 26-03-2015 EP 2976057 A1 27-01-2016 EP 3308762 A1 18-04-2018 EP 3311787 A1 25-04-2018 HK 1214126 A1 22-07-2016 US 2016213557 A1 28-07-2016 US 2017065483 A1 09-03-2017 WO 2015039787 A1 26-03-2015
US 2014236151	A1	21-08-2014	CN 102188316 A 21-09-2011 CN 201701457 U 12-01-2011 EP 2364687 A1 14-09-2011 HK 1161829 A1 17-07-2015 US 2011034837 A1 10-02-2011 US 2012330097 A1 27-12-2012 US 2013226050 A1 29-08-2013 US 2014236151 A1 21-08-2014 US 2017095399 A1 06-04-2017 US 2018071167 A1 15-03-2018
US 2014350333	A1	27-11-2014	KEINE
WO 2013178223	A2	05-12-2013	DE 112013002900 A5 12-03-2015 DE 202012005414 U1 21-06-2012 EP 2895135 A2 22-07-2015 WO 2013178223 A2 05-12-2013
US 2015196455	A1	16-07-2015	US 2013116503 A1 09-05-2013 US 2015196455 A1 16-07-2015 WO 2013067367 A1 10-05-2013
US 6464653	B1	15-10-2002	AT 397435 T 15-06-2008 AU 1733400 A 05-06-2000 CA 2350498 A1 25-05-2000 EP 1143909 A2 17-10-2001 JP 2002529199 A 10-09-2002 TW 476646 B 21-02-2002 US 6464653 B1 15-10-2002 WO 0028939 A2 25-05-2000
US 5377701	A	03-01-1995	CN 1078135 A 10-11-1993 JP H06209975 A 02-08-1994 US 5377701 A 03-01-1995
US 2014179994	A1	26-06-2014	US 2014046127 A1 13-02-2014 US 2014088470 A1 27-03-2014 US 2014179994 A1 26-06-2014 US 2016296417 A1 13-10-2016 US 2017156971 A1 08-06-2017