



US00D358402S

United States Patent [19] Scholl

[11] Patent Number: **Des. 358,402**
[45] Date of Patent: **** May 16, 1995**

[54] **COMBINED BLEACHING AND DYEING
TEXTILE FABRIC APPARATUS**

[75] Inventor: **Marc D. Scholl**, Elon College, N.C.

[73] Assignee: **Scholl America, Inc.**, Gibsonville,
N.C.

[**] Term: **14 Years**

[21] Appl. No.: **5,181**

[22] Filed: **Feb. 25, 1993**

Related U.S. Application Data

[63] Continuation-in-part of Ser. No. 557,496, Jul. 24, 1990,
Pat. No. Des. 339,359.

[52] U.S. Cl. **D15/66**

[58] Field of Search **D15/66-78;**
8/152, 157, 158; 28/169; 68/5 C, 5 D, 12.07,
12.13, 18 R, 178, 207

[56] References Cited

U.S. PATENT DOCUMENTS

3,510,251 5/1970 Fujii et al. 8/152
3,788,809 1/1974 Carpenter 8/152
4,020,658 5/1977 Thies, Jr. 68/5 C
4,928,338 5/1970 Magin 8/158

FOREIGN PATENT DOCUMENTS

735947 8/1955 United Kingdom 68/5 C

Primary Examiner—Prabhakar G. Deshmukh

Assistant Examiner—Sandra Morris

Attorney, Agent, or Firm—Ralph H. Dougherty

[57] CLAIM

The ornamental design for a combined bleaching and dyeing textile fabric apparatus, as shown and described.

DESCRIPTION

FIG. 1 is a front elevational view of a combined bleaching and dyeing textile fabric apparatus, showing my new design;

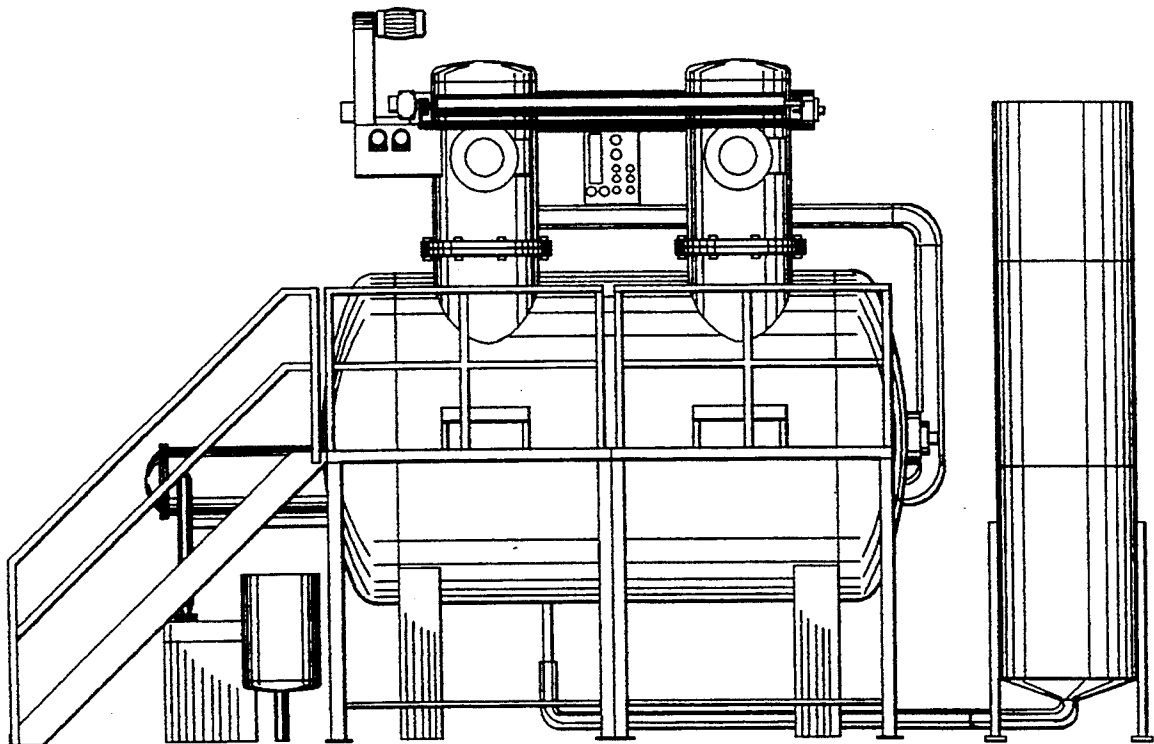
FIG. 2 is a top plan view thereof;

FIG. 3 is a right side elevational view thereof;

FIG. 4 is a rear elevational view thereof;

FIG. 5 is a bottom plan view thereof; and,

FIG. 6 is a left side elevational view thereof.



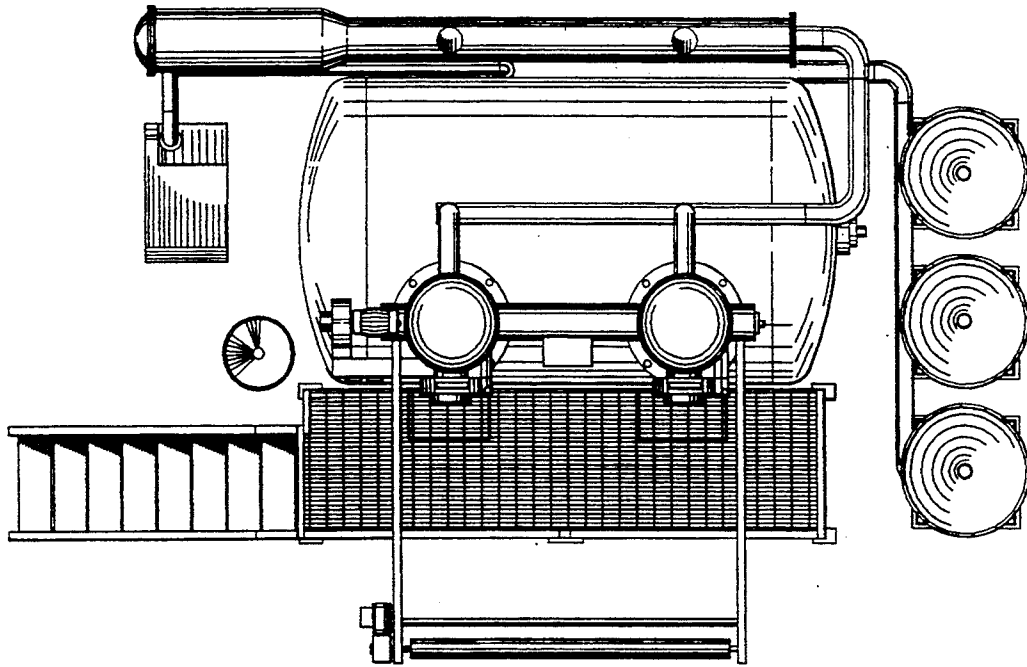


Fig. 2

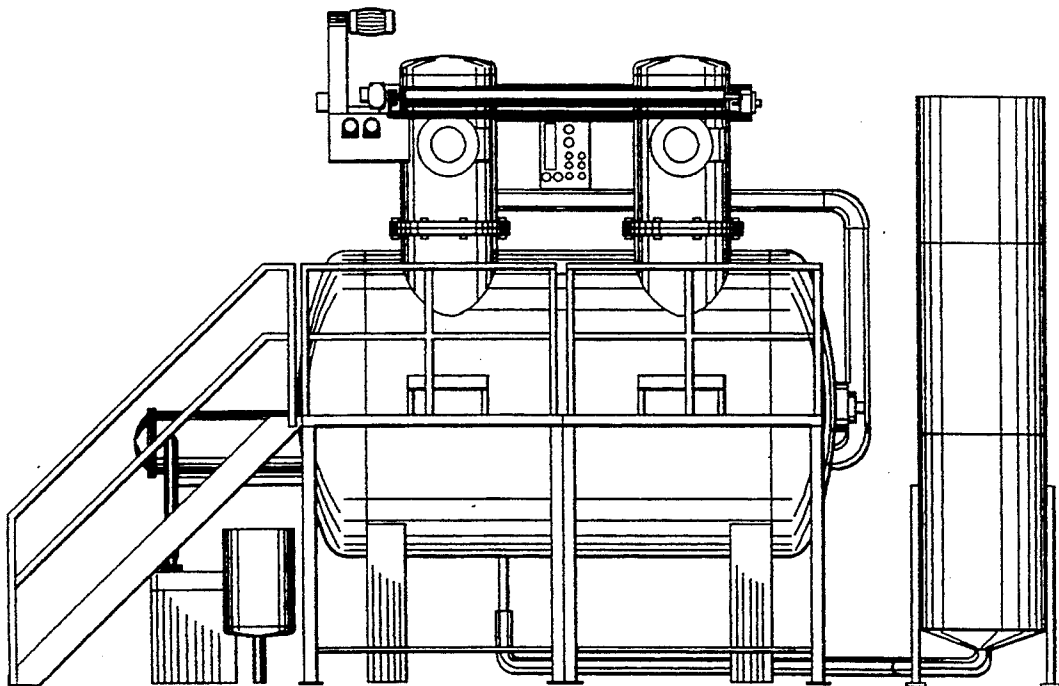


Fig. 1

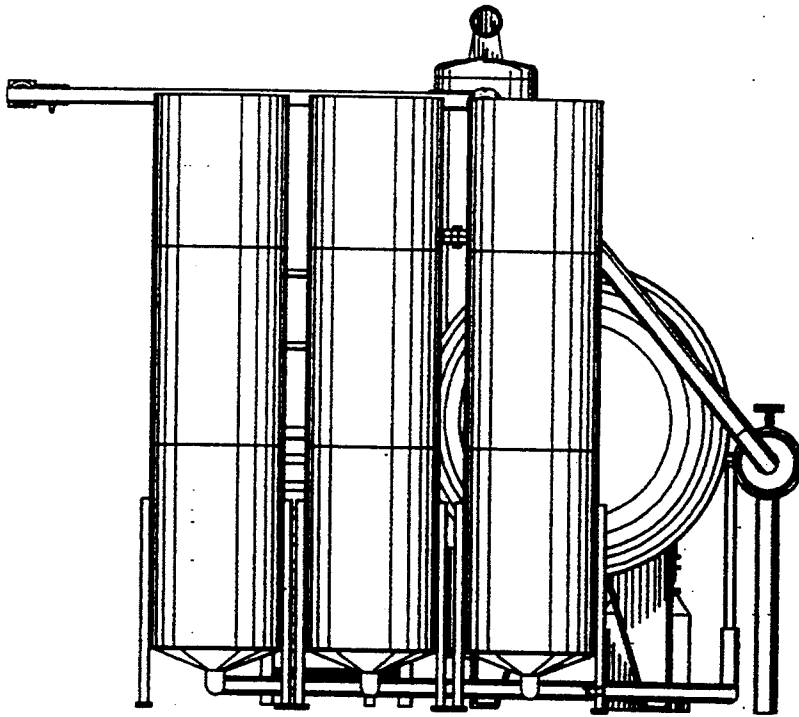


Fig. 3

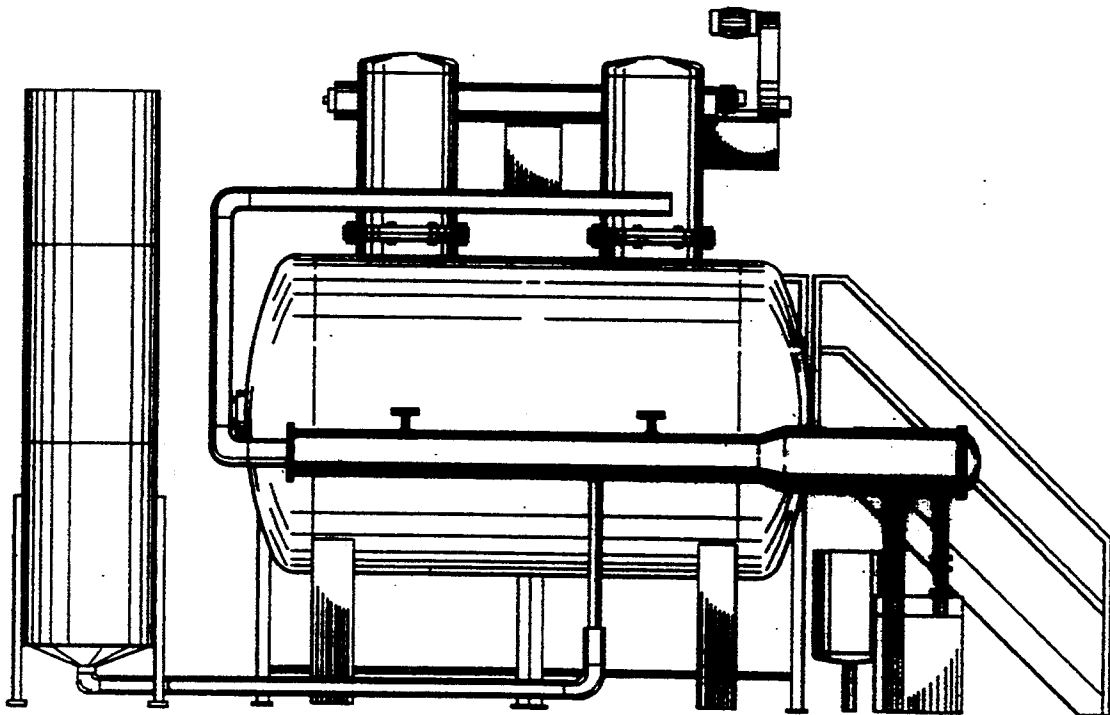


Fig. 4

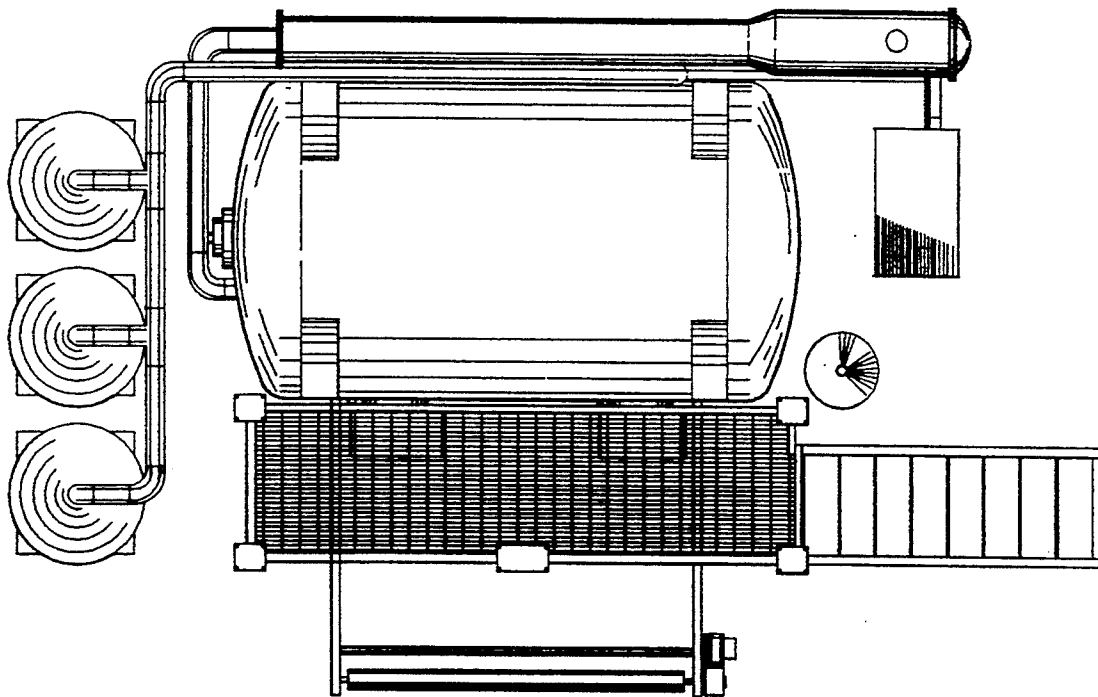


Fig. 5

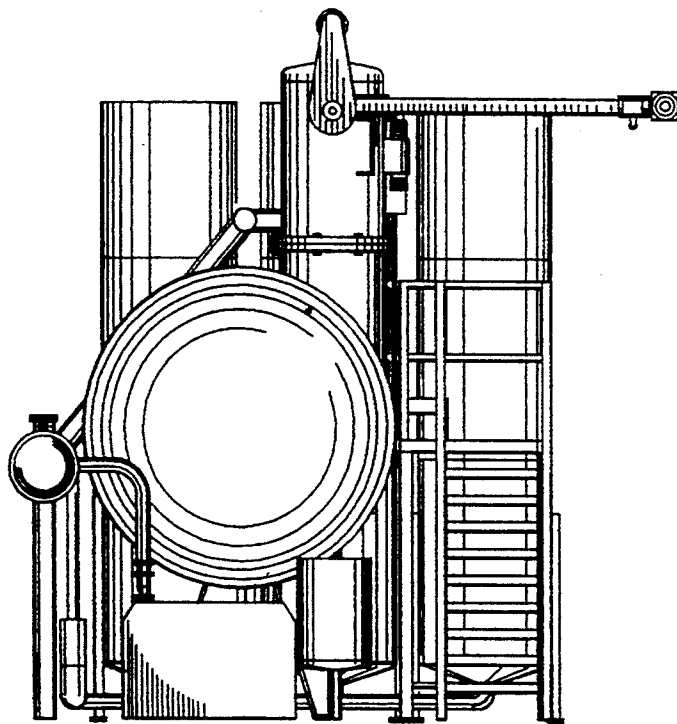


Fig. 6