



US00D608634S

(12) **United States Design Patent**
Riedi

(10) **Patent No.:** **US D608,634 S**

(45) **Date of Patent:** **** Jan. 26, 2010**

(54) **CORN PACKAGING CONTAINER**

(76) Inventor: **Martin Riedi**, P.O. Box 560249, Miami,
FL (US) 33256

(**) Term: **14 Years**

(21) Appl. No.: **29/307,431**

(22) Filed: **Apr. 18, 2008**

(51) **LOC (9) Cl.** **09-03**

(52) **U.S. Cl.** **D9/432**

(58) **Field of Classification Search** D9/430-433,
D9/414, 418, 420-423; D3/272; 206/278,
206/297, 299, 457, 770, 737, 822; 299/100,
299/101, 101.3, 106, 108, 108.1, 116.1, 116.3,
299/116.5, 121, 122, 201, 213, 221, 222,
299/227, 922, 939, 942, 87.08, 101.2, 193,
299/195, 197, 157

See application file for complete search history.

(56) **References Cited**

U.S. PATENT DOCUMENTS

490,167 A *	1/1893	Schmidt	229/157
1,946,315 A	2/1934	Ferguson		
2,721,689 A *	10/1955	Nye	206/392
3,055,570 A *	9/1962	Hamilton	229/160
3,352,472 A	11/1967	Cummings et al.		
3,670,949 A *	6/1972	Galanes	229/120
3,713,579 A *	1/1973	Chaffers	206/509
D242,845 S *	12/1976	Booth	D9/433
4,175,691 A *	11/1979	Cornell et al.	206/509
4,279,377 A *	7/1981	Peeples et al.	229/157
4,279,379 A *	7/1981	Lohrbach et al.	229/185
4,304,353 A *	12/1981	Stollberg	229/126
4,650,112 A *	3/1987	Booth	229/157
4,709,852 A *	12/1987	Stoll	229/119
4,770,339 A	9/1988	Weimer		
4,884,741 A *	12/1989	Nederveld	229/157
D307,109 S *	4/1990	Dasher et al.	D9/418
4,984,734 A	1/1991	Zion et al.		
5,002,224 A	3/1991	Muise		

5,046,662 A *	9/1991	Cowles	229/157
5,104,035 A *	4/1992	Rosenbaum, II	229/157
5,305,950 A *	4/1994	Oppenheim	229/157
5,318,220 A *	6/1994	Gagliardo	229/157
5,642,854 A *	7/1997	Hatton	229/149
5,690,275 A	11/1997	Bose et al.		
5,913,474 A	6/1999	Chu		
6,290,122 B1	9/2001	Correll		
6,354,487 B1	3/2002	Muise, Jr.		
6,390,357 B1	5/2002	Ogryzlo et al.		
6,575,356 B2 *	6/2003	McClure	229/143
6,889,893 B2 *	5/2005	Kent	229/171
6,938,818 B2 *	9/2005	Moorman et al.	229/122
D542,129 S *	5/2007	Moorman	D9/431
7,261,231 B2	8/2007	Kuhn et al.		
7,481,354 B2 *	1/2009	Kawagoe et al.	229/117.01
2002/0130167 A1 *	9/2002	Riedi	229/120
2006/0163333 A1 *	7/2006	Kornacki	229/104

* cited by examiner

Primary Examiner—Robert M Spear

Assistant Examiner—Karen Acker

(74) *Attorney, Agent, or Firm*—Malloy & Malloy, P.A.

(57) **CLAIM**

The ornamental design for a corn packaging container, as shown and described.

DESCRIPTION

FIG. 1 is a top front perspective view illustrating my design for a corn packaging container;

FIG. 2 is a right side view thereof;

FIG. 3 is a rear end view thereof;

FIG. 4 is a top view thereof;

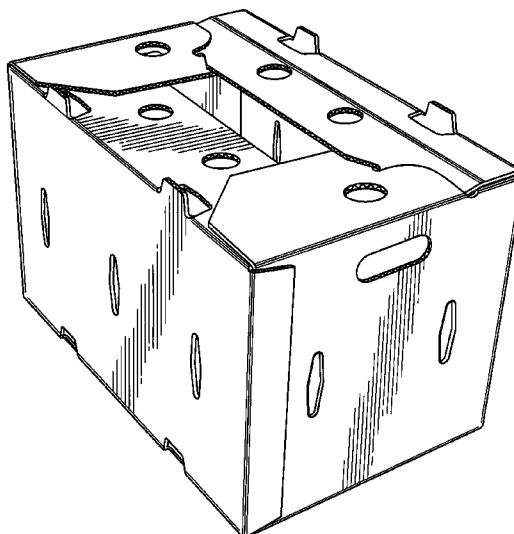
FIG. 5 is a front end view thereof;

FIG. 6 is a bottom view thereof;

FIG. 7 is a left side view thereof; and,

FIG. 8 is a bottom rear perspective view thereof.

1 Claim, 7 Drawing Sheets



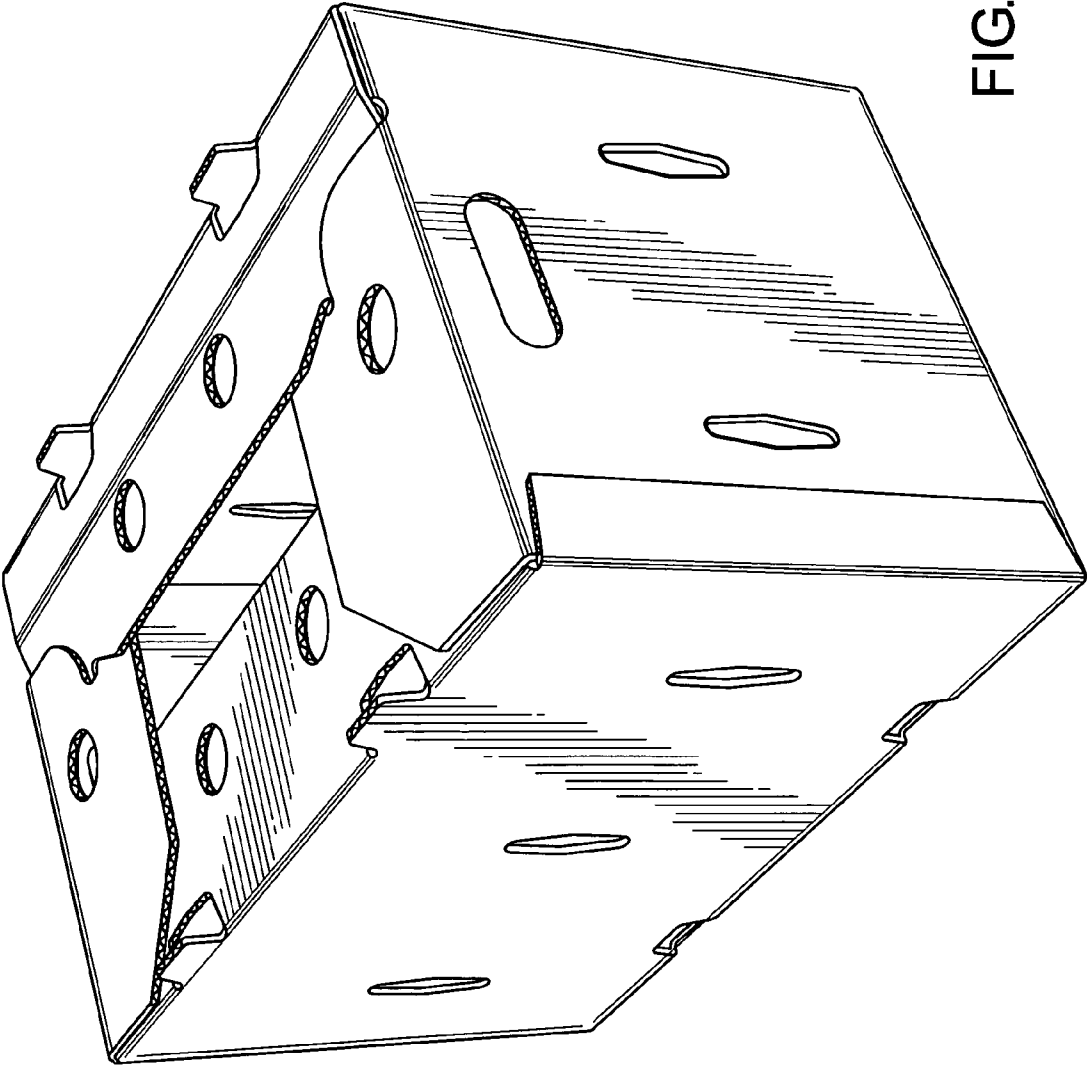


FIG. 1

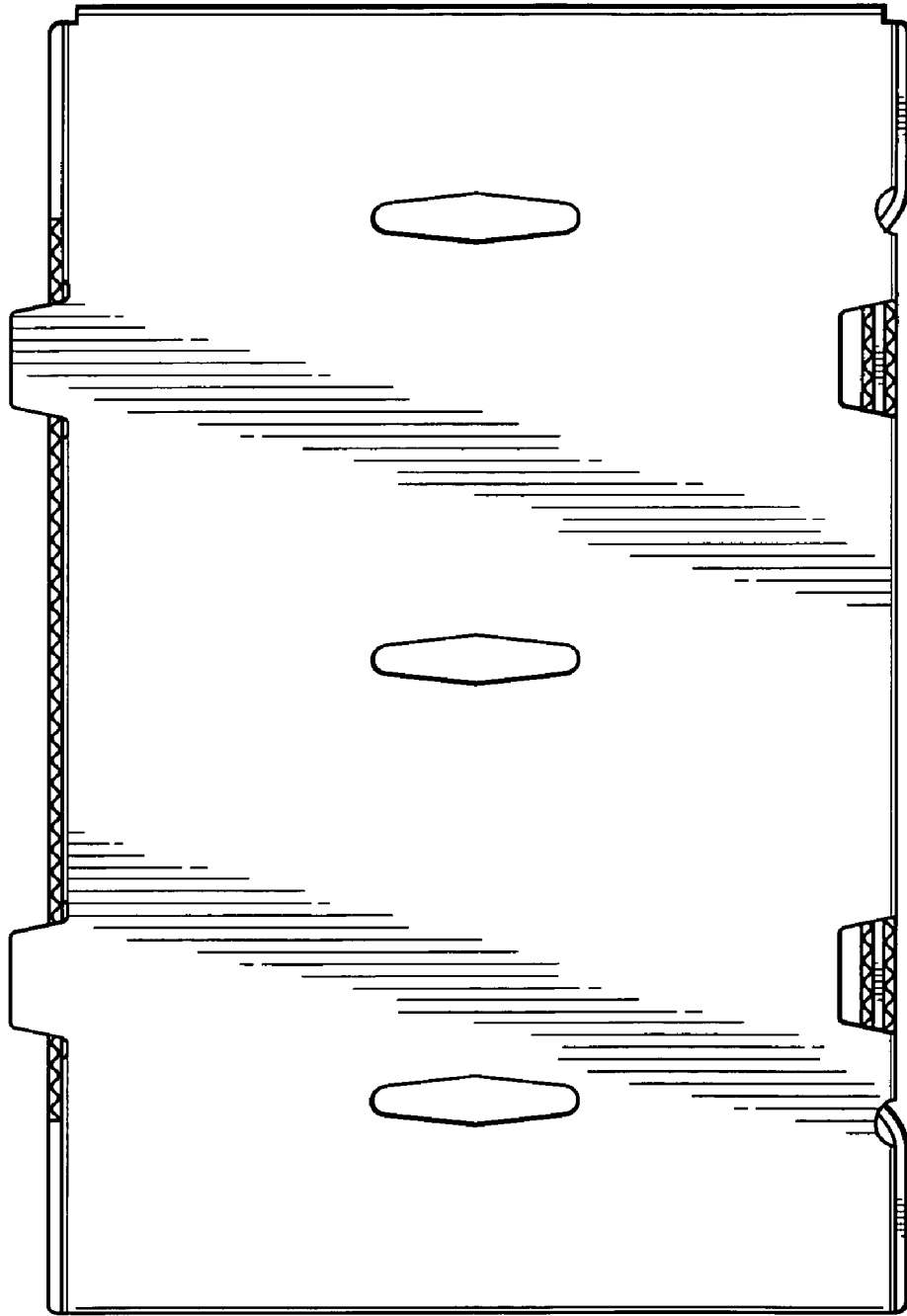


FIG. 2

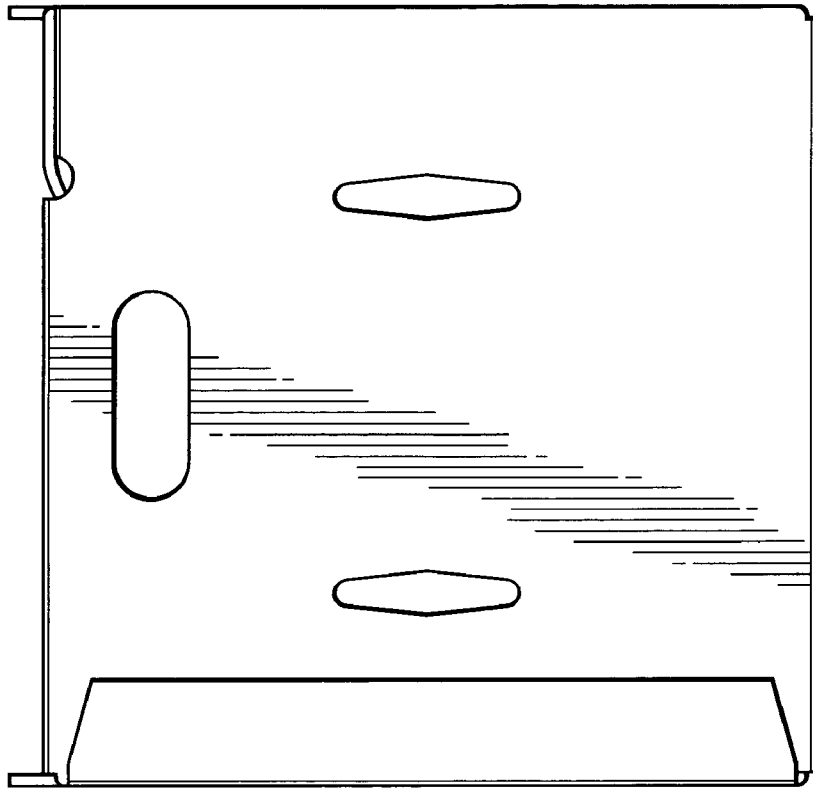


FIG. 5

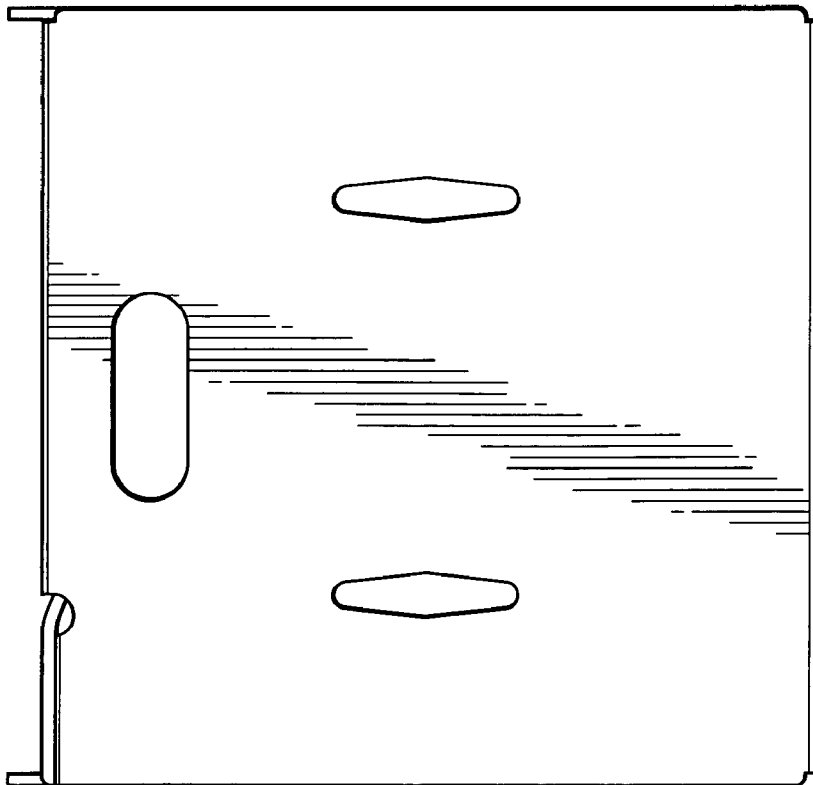


FIG. 3

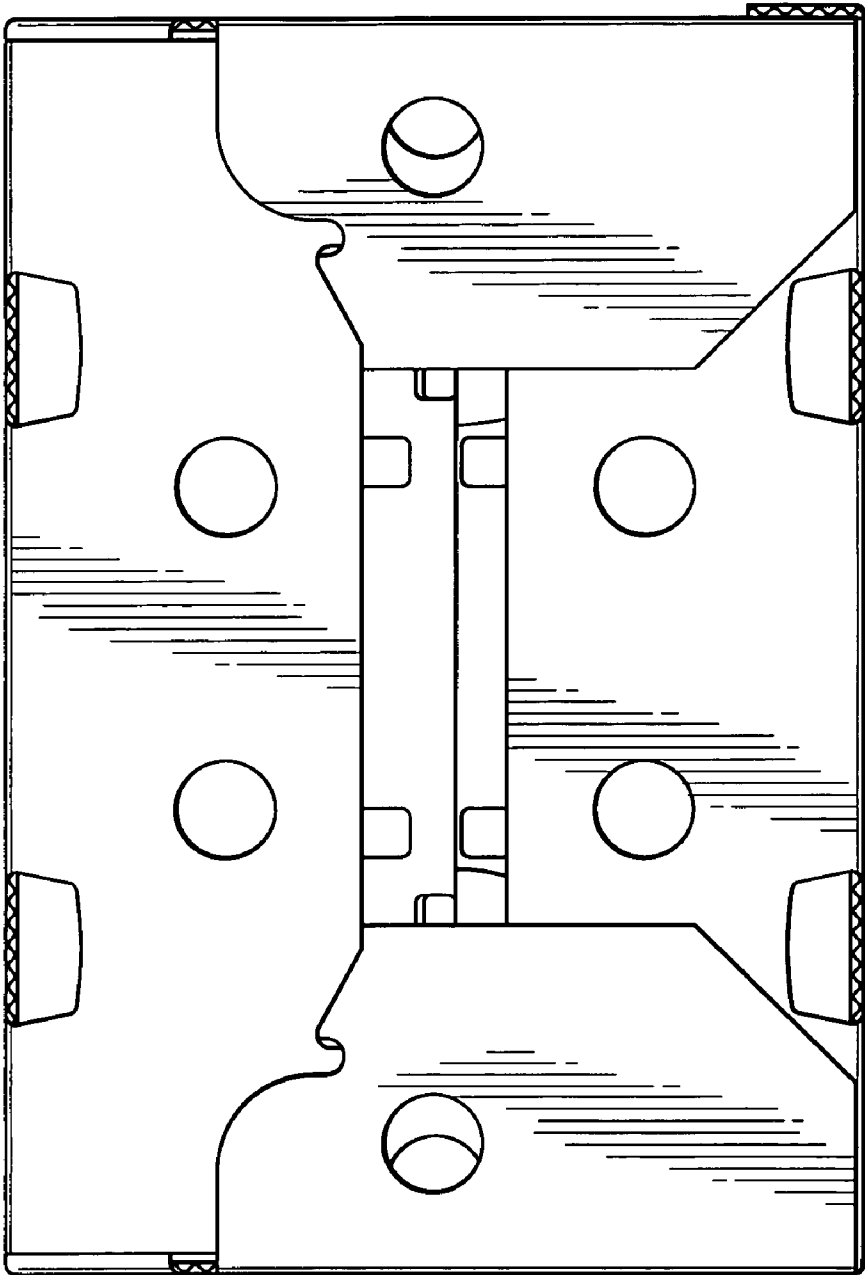


FIG. 4

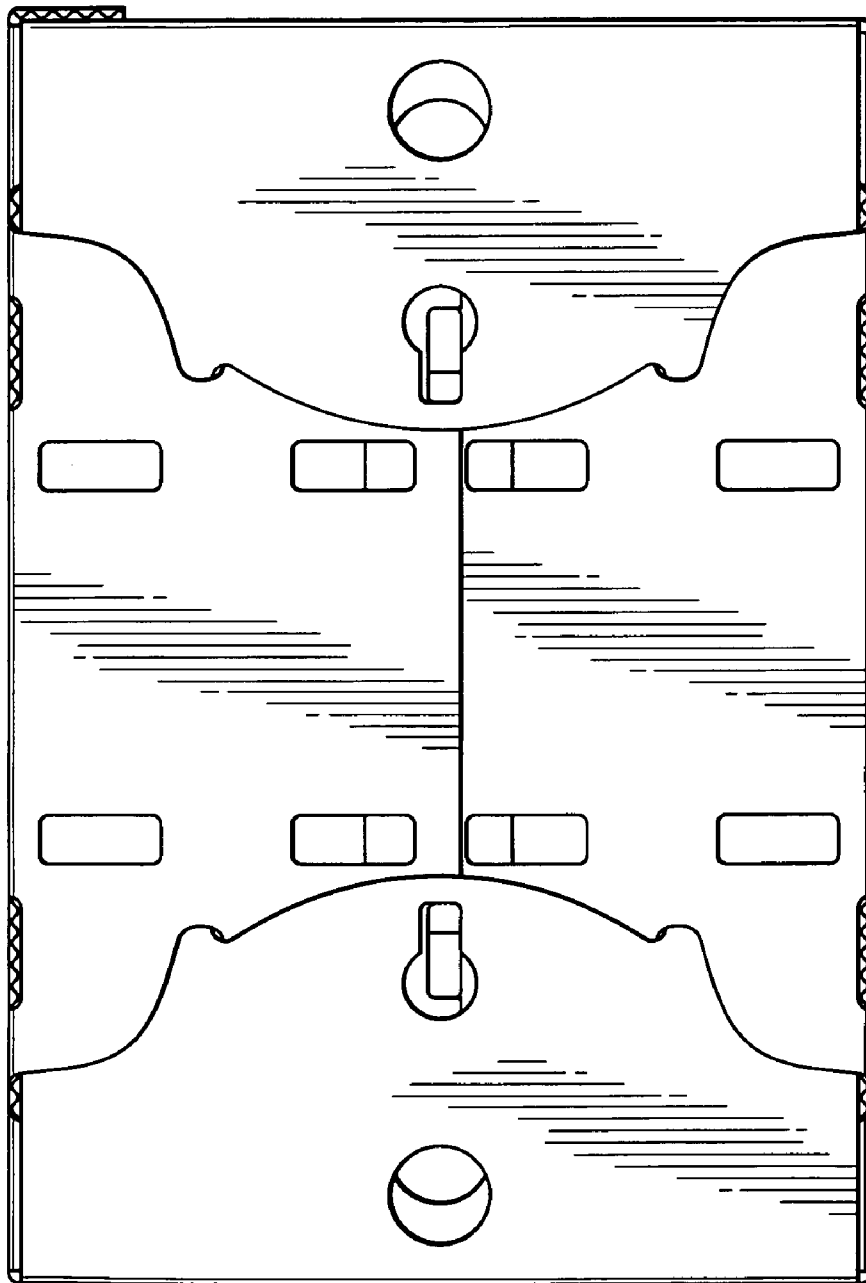


FIG. 6

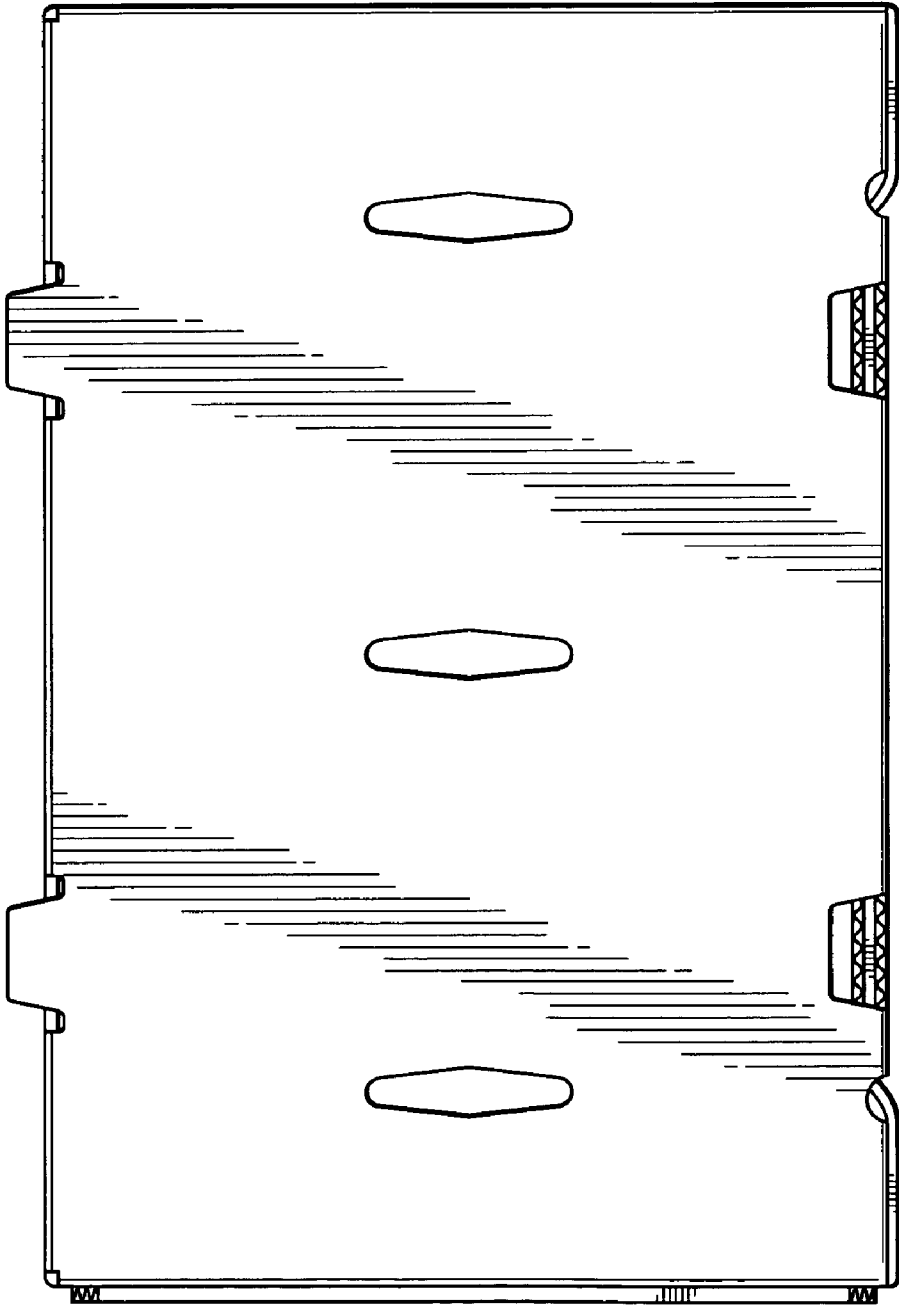


FIG. 7

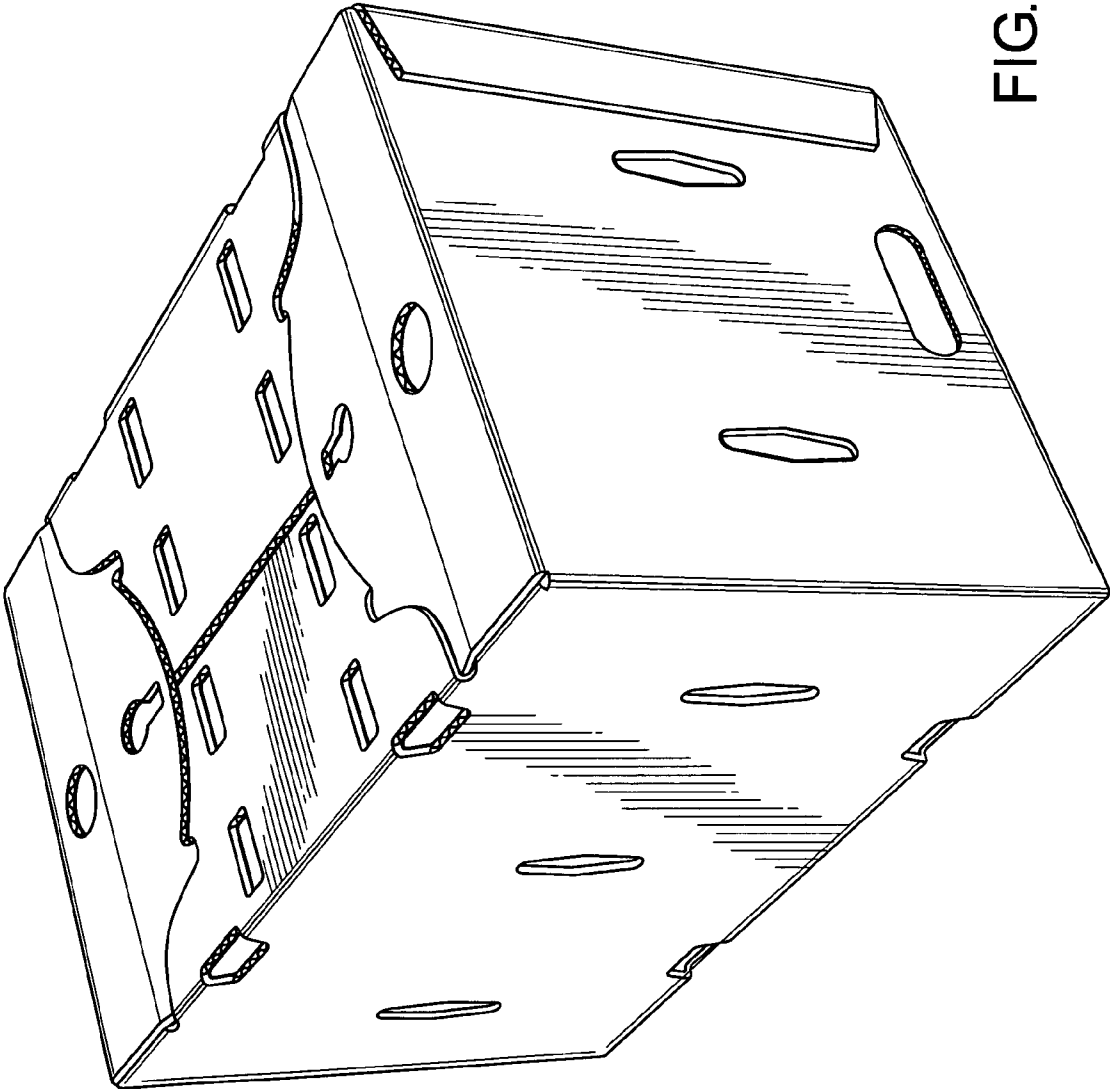


FIG. 8