

[54] TOY BULLDOZER ATTACHMENT

[75] Inventor: Herbert C. Weiland, Rancho Palos Verdes, Calif.

[73] Assignee: Clover Toys, Inc., La Mirada, Calif.

[**] Term: 14 Years

[21] Appl. No.: 208,545

[22] Filed: Jun. 20, 1988

[52] U.S. Cl. D21/141; D21/134

[58] Field of Search D21/59, 108, 114, 133, D21/134, 139, 141; 446/85, 88, 93, 103, 108, 115, 124

[56] References Cited

U.S. PATENT DOCUMENTS

- D. 242,734 12/1976 Breneman et al. D21/134
- D. 249,576 9/1978 Dunbar D21/134

- D. 264,106 4/1982 Orenstein D21/134
- D. 287,522 12/1986 Blumenthal D21/134

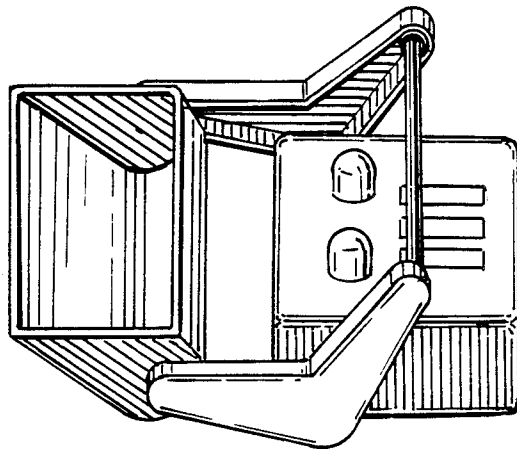
Primary Examiner—Charles A. Rademaker
Assistant Examiner—Alicia A. Farrell
Attorney, Agent, or Firm—G. Donald Weber, Jr.

[57] CLAIM

The ornamental design for a toy bulldozer attachment, as shown and described.

DESCRIPTION

FIG. 1 is a perspective view of a toy bulldozer attachment showing showing my new design;
FIG. 2 is a top plan view thereof;
FIG. 3 is a bottom plan view thereof;
FIG. 4 is a side elevational view thereof; the side opposite being a mirror image;
FIG. 5 is a front elevational view thereof; and
FIG. 6 is a rear elevational view thereof.



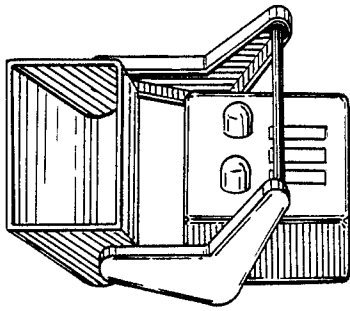


FIG. 1

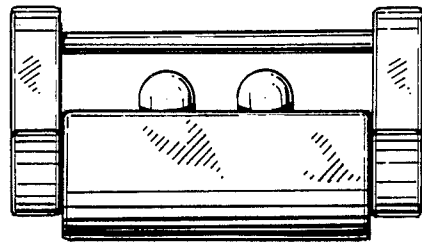


FIG. 6

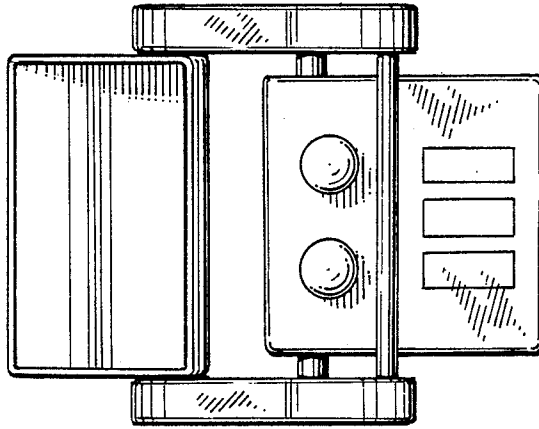


FIG. 2

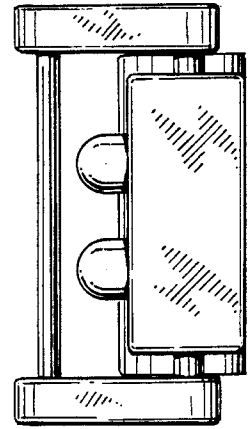


FIG. 5

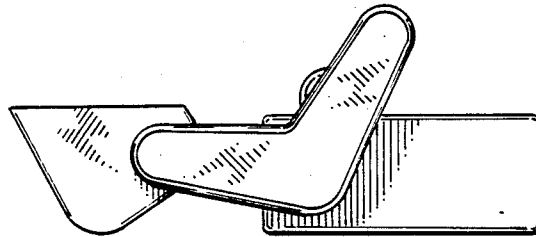


FIG. 4

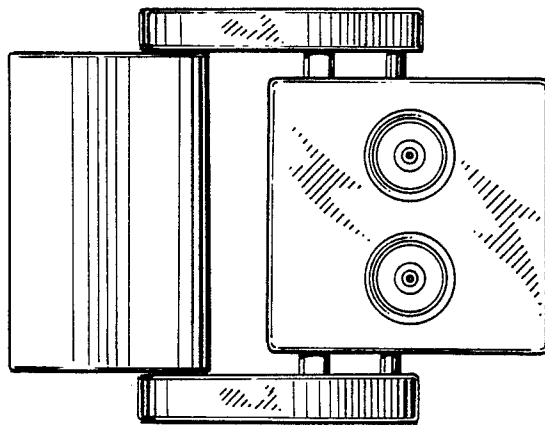


FIG. 3