



US00D421826S

United States Patent [19]
Dallman

[11] **Patent Number: Des. 421,826**
[45] **Date of Patent: ** Mar. 21, 2000**

[54] **LIGHT FIXTURE FOR AN ATM KIOSK OR SURROUND**

[75] Inventor: **Ernest R. Dallman**, Zionsville, Ind.

[73] Assignee: **Dallman Industrial Corporation**, Indianapolis, Ind.

[**] Term: **14 Years**

[21] Appl. No.: **29/096,983**

[22] Filed: **Nov. 25, 1998**

Related U.S. Application Data

[63] Continuation-in-part of application No. 08/996,421, Dec. 22, 1997, which is a continuation-in-part of application No. 29/047,266, Nov. 30, 1995, Pat. No. Des. 375,091, which is a continuation-in-part of application No. 29/030,929, Nov. 14, 1994, abandoned, which is a continuation-in-part of application No. 29/022,639, May 10, 1994, Pat. No. Des. 361,192.

[51] **LOC (6) Cl.** **99-00**

[52] **U.S. Cl.** **D99/43; D99/28**

[58] **Field of Search** D99/28, 35, 41, D99/43; 362/362, 374, 355, 249, 218, 217, 145; D26/24, 42, 59, 63, 67, 72, 74, 75, 76, 85, 90; D10/114; D20/1, 5, 8; D14/100, 107, 114

[56] **References Cited**

U.S. PATENT DOCUMENTS

- Re. 22,431 2/1944 Sloan, Jr. .
- D. 158,803 5/1950 Russell D26/76
- D. 264,764 6/1982 Freijd .
- D. 284,321 6/1986 Kobayashi .
- D. 286,098 10/1986 Prinzhorn .
- D. 288,011 1/1987 Prinzhorn .
- D. 289,215 4/1987 Prinzhorn .
- D. 293,151 12/1987 Prinzhorn .
- D. 293,269 12/1987 Prinzhorn .
- D. 303,448 9/1989 Noda et al. .
- D. 314,076 1/1991 Tarkany et al. .
- D. 319,329 8/1991 Ogasawara et al. .
- D. 320,047 9/1991 Novak .
- D. 326,756 6/1992 Millikon D99/28
- D. 331,996 12/1992 Fukutake et al. .

- D. 356,382 3/1995 Jaksich D26/75
- D. 358,899 5/1995 Crouch D26/75
- D. 360,735 7/1995 Hall D99/28
- D. 361,192 8/1995 Dallman et al. D99/28
- D. 362,314 9/1995 Shemitz D26/74
- D. 379,546 5/1997 Littman D26/74
- D. 388,227 12/1997 Dallman et al. D99/28
- 2,140,418 12/1938 Dilts .
- 2,185,763 1/1940 Dee Lisle .
- 2,590,592 3/1952 Wittemann .
- 2,722,179 11/1955 Belew .
- 2,963,333 12/1960 Mestre .
- 2,978,575 4/1961 Cohen 362/355
- 3,028,209 4/1962 Hinkel et al. .
- 3,091,816 6/1963 Wetzel .
- 3,728,017 4/1973 Schmidlin et al. .
- 3,897,901 8/1975 Grosswiller, Jr. et al. .

(List continued on next page.)

FOREIGN PATENT DOCUMENTS

- 3-50694 3/1991 Japan .
- 976991 12/1964 United Kingdom .

Primary Examiner—Paula A. Mortimer
Attorney, Agent, or Firm—Barnes & Thornburg

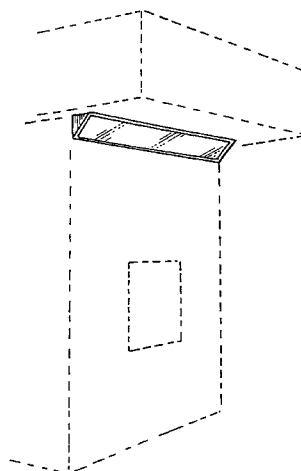
[57] **CLAIM**

The ornamental design for a light fixture for an ATM kiosk or surround, as shown and described.

DESCRIPTION

FIG. 1 is a perspective view of a light fixture for an ATM kiosk or surround according to my new design, with elements of an automatic teller machine kiosk or surround which form an illustrative environment for the light fixture being shown in broken lines which are for illustrative purposes only and form no part of the claimed design; FIG. 2 is an elevational view thereof; FIG. 3 is a front elevational view of the light fixture of FIG. 1; FIG. 4 is a left side elevational view thereof, the right side elevational view being a mirror image of FIG. 4; FIG. 5 is a top plan view thereof; FIG. 6 is a bottom view thereof; and, FIG. 7 is a rear elevational view thereof.

1 Claim, 1 Drawing Sheet



U.S. PATENT DOCUMENTS

4,192,544	3/1980	Patterson .	4,813,475	3/1989	Couvrette .
4,399,755	8/1983	Wiedmann .	4,856,437	8/1989	Trucksess .
4,457,492	7/1984	Lahti .	5,036,779	8/1991	Capraro .
4,497,261	2/1985	Ferris et al. .	5,052,878	10/1991	Brockhaus .
4,513,670	4/1985	Berman .	5,087,107	2/1992	Fumanelli .
4,557,352	12/1985	Tschappat, Jr. .	5,215,363	6/1993	Warwick, III .
4,558,650	12/1985	Berman .	5,222,445	6/1993	Capraro .
4,577,562	3/1986	Berman .	5,275,064	1/1994	Hobbs .
4,603,643	8/1986	Couvrette .	5,299,511	4/1994	Dallman et al. .
4,649,832	3/1987	Hain et al. .	5,440,999	8/1995	Dallman et al. .
4,681,044	7/1987	Dallman .	5,611,288	3/1997	Dallman et al. .
4,720,154	1/1988	Seiter .	5,615,623	4/1997	Capraro, Jr. .
			5,794,547	8/1998	Dallman et al. .
			5,836,256	11/1998	Senterfeit, Sr. .

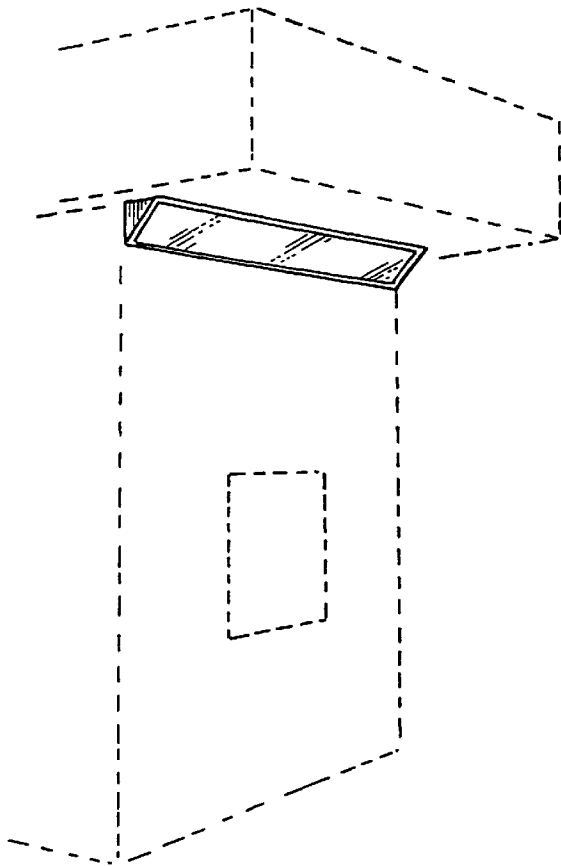


FIG. 1



FIG. 4

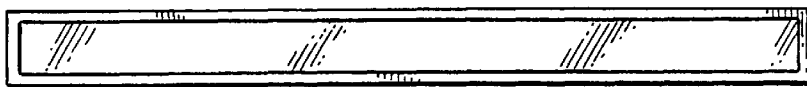


FIG. 2



FIG. 5

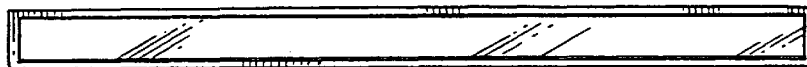


FIG. 3

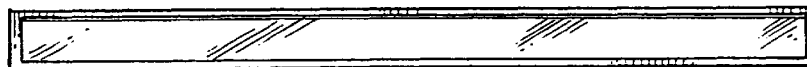


FIG. 6



FIG. 7