



US00D744422S

(12) **United States Design Patent**  
**Landry et al.**

(10) **Patent No.:** **US D744,422 S**

(45) **Date of Patent:** **\*\* Dec. 1, 2015**

(54) **CONNECTOR**

(56) **References Cited**

(71) Applicant: **Hypertronics Corporation**, Hudson, MA (US)  
  
(72) Inventors: **Mark D. Landry**, Westminister, MA (US); **Douglas McCormack**, Worcester, MA (US); **David E. Salomon**, Southborough, MA (US); **Francesco A. Nania**, Clinton, MA (US); **Christopher D. Coughlan**, Hudson, MA (US)

U.S. PATENT DOCUMENTS

D49,693	S	*	9/1916	Abbott	.....	D13/155
D49,697	S	*	9/1916	Abbott	.....	D13/155
D401,907	S	*	12/1998	Gazerro	.....	D13/155
D402,265	S	*	12/1998	Viklund et al.	.....	D13/155
D544,201	S	*	6/2007	Berl	.....	D3/12
D606,944	S	*	12/2009	Mehnert et al.	.....	D13/154
D618,527	S	*	6/2010	Deguglimo et al.	.....	D8/29
D636,334	S	*	4/2011	Kato et al.	.....	D13/119
D664,408	S	*	7/2012	Mitchell	.....	D8/21
D692,564	S	*	10/2013	Ninomiya et al.	.....	D24/187
D706,715	S	*	6/2014	Ball	.....	D13/133
2008/0289671	A1	*	11/2008	Chiu	.....	135/65
2011/0271990	A1	*	11/2011	Diamond	.....	135/65

(73) Assignee: **Hypertronics Corporation**, Hudson, MA (US)

\* cited by examiner

(\*\*) Term: **14 Years**

*Primary Examiner* — Thomas Johannes  
*Assistant Examiner* — Shawn T Gingrich  
(74) *Attorney, Agent, or Firm* — Snell & Wilmer LLP

(21) Appl. No.: **29/494,544**

(57) **CLAIM**

(22) Filed: **Jun. 20, 2014**

We claim the ornamental design for a connector, as shown and described.

(51) **LOC (10) Cl.** ..... **13-03**

**DESCRIPTION**

(52) **U.S. Cl.**

USPC ..... **D13/133**

(58) **Field of Classification Search**

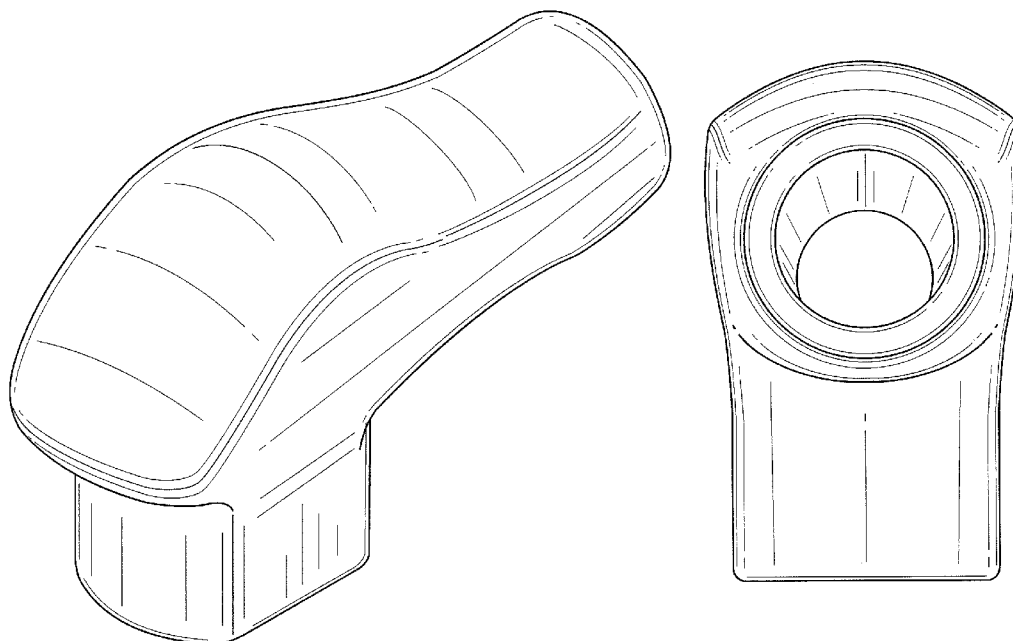
USPC ..... D13/110, 123, 133, 147-149, 154-56, D13/158, 173, 184, 199; D3/5, 10, 12  
CPC ..... A45B 9/00; H01R 9/05; H01R 9/051; H01R 9/052; H01R 11/00; H01R 13/40; H01R 13/52; H01R 13/533; H01R 13/56; H01R 13/58; H01R 13/62; H01R 13/63; H01R 13/631; H01R 13/635

FIG. 1 is a rear perspective view of the connector showing our new design;  
FIG. 2 is a rear view of the connector;  
FIG. 3 is a front view of the connector;  
FIG. 4 is a left side view of the connector;  
FIG. 5 is a right side view of the connector;  
FIG. 6 is a top view of the connector; and,  
FIG. 7 is a bottom view of the connector.

The broken line portion of the figure drawings is included to show unclaimed subject matter only and forms no part of the claimed design.

See application file for complete search history.

**1 Claim, 6 Drawing Sheets**



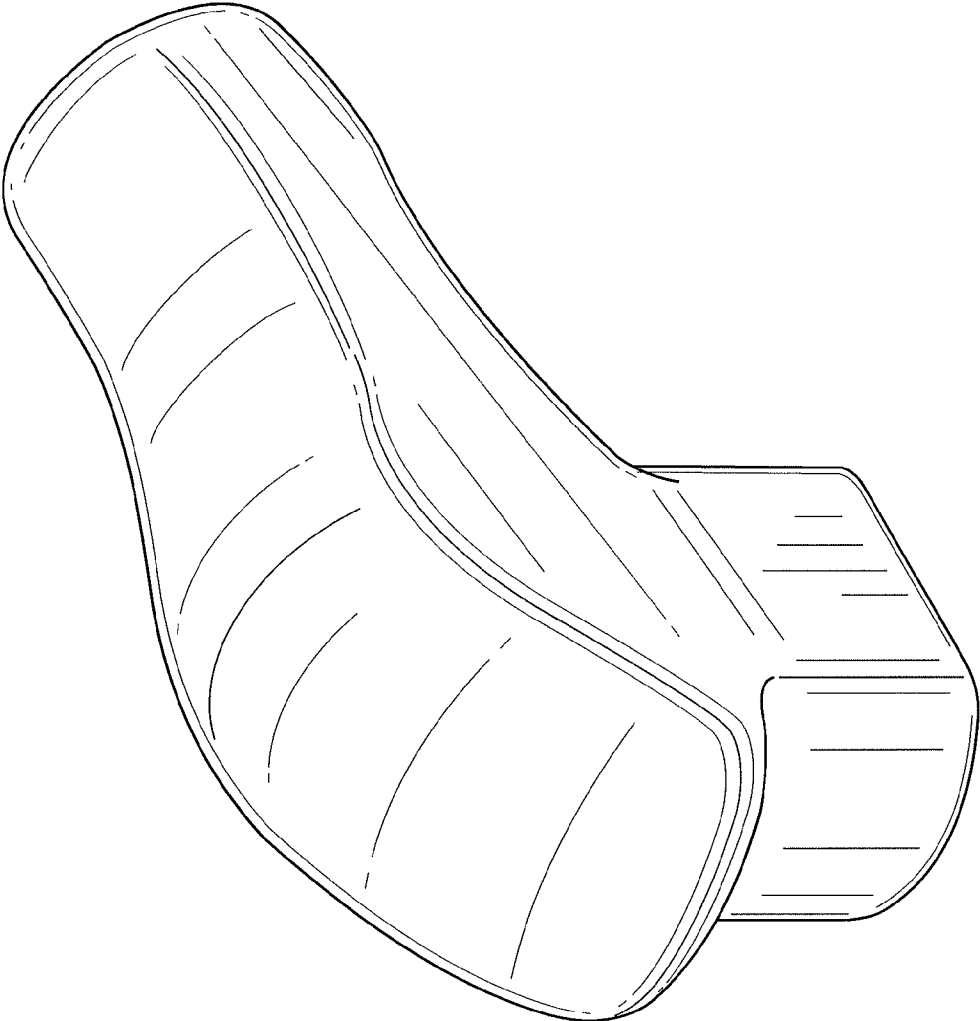


FIG. 1

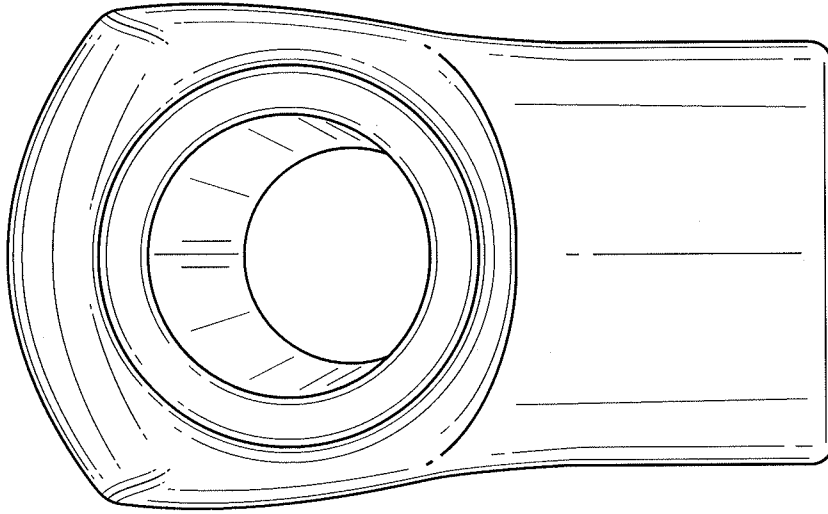


FIG. 3

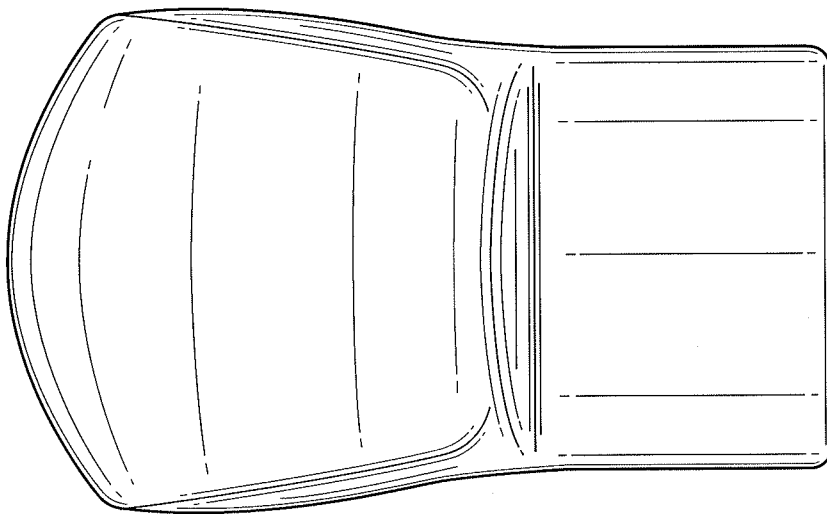


FIG. 2

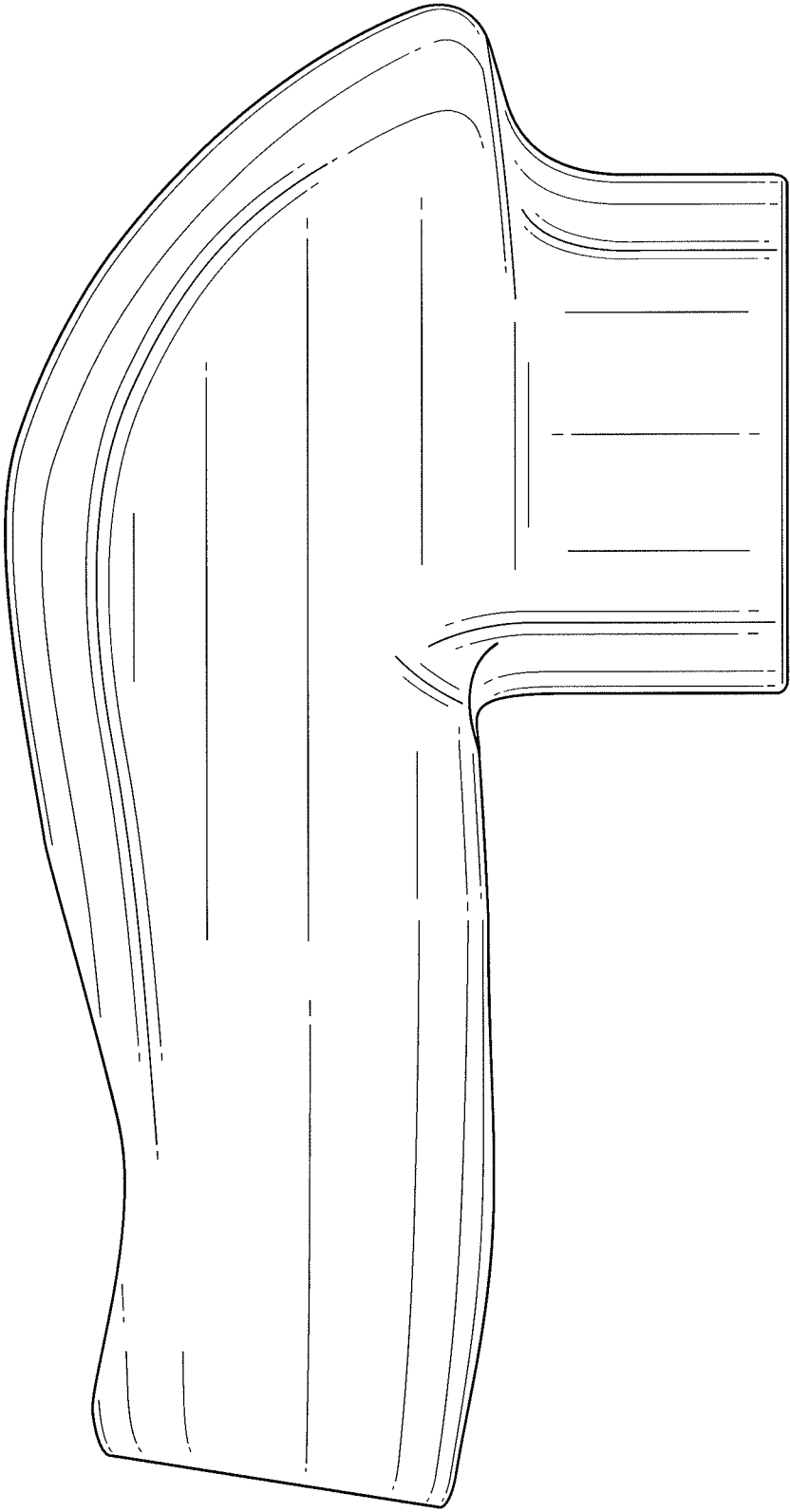


FIG. 4

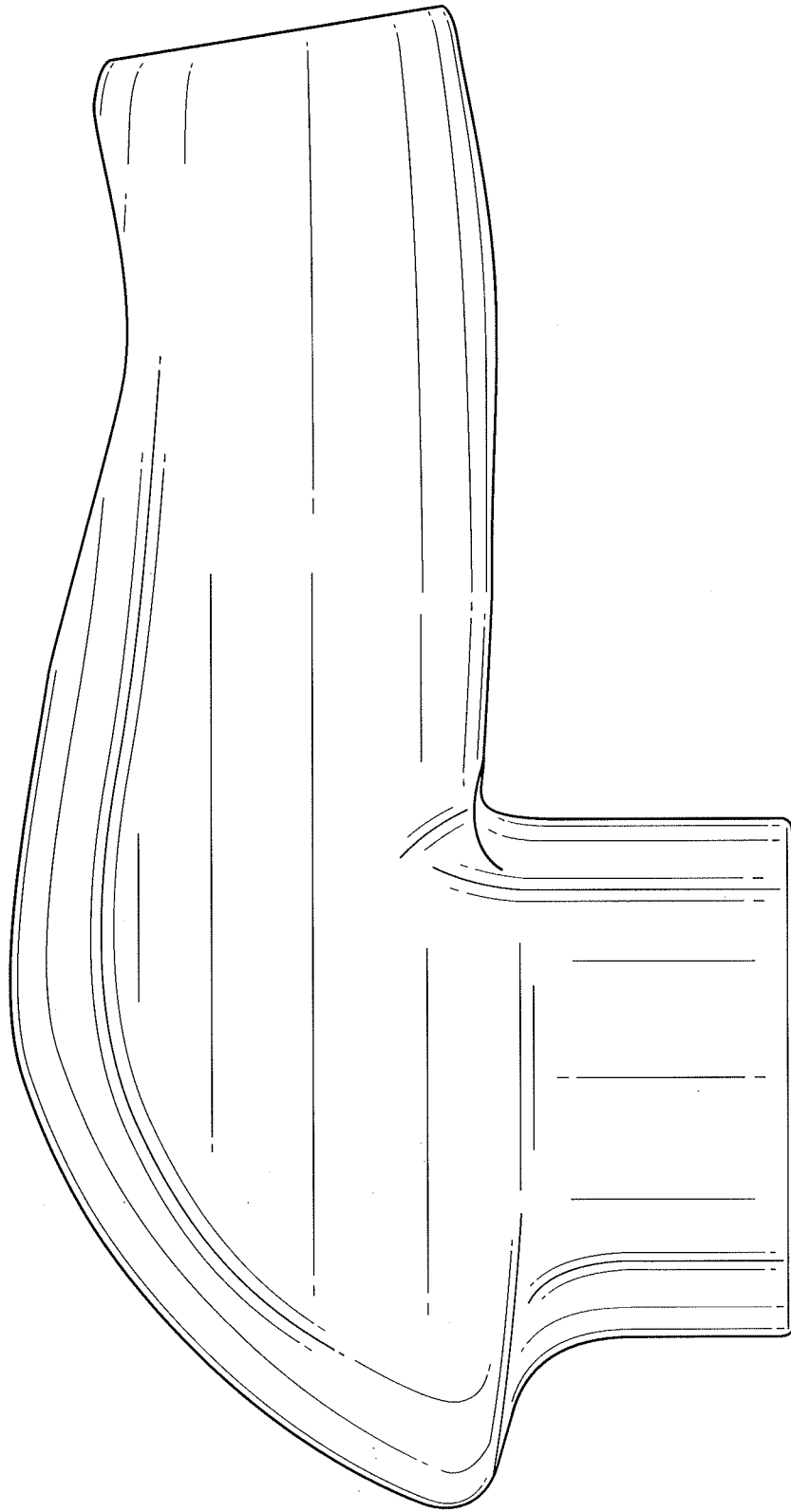


FIG. 5

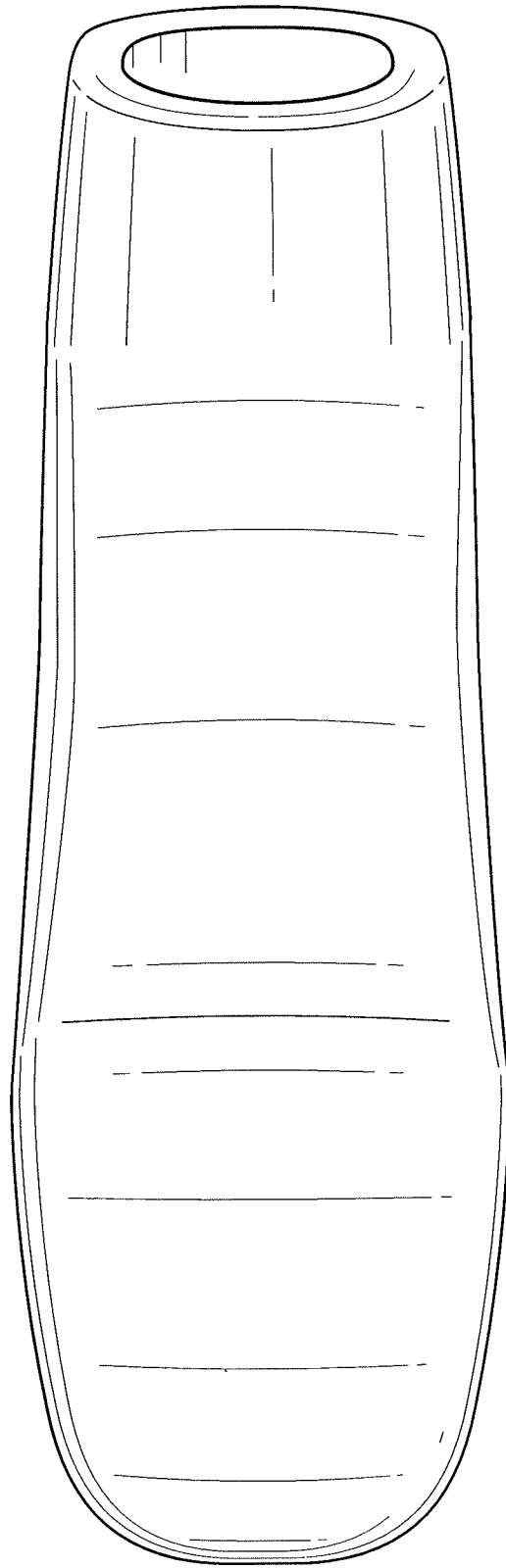


FIG. 6

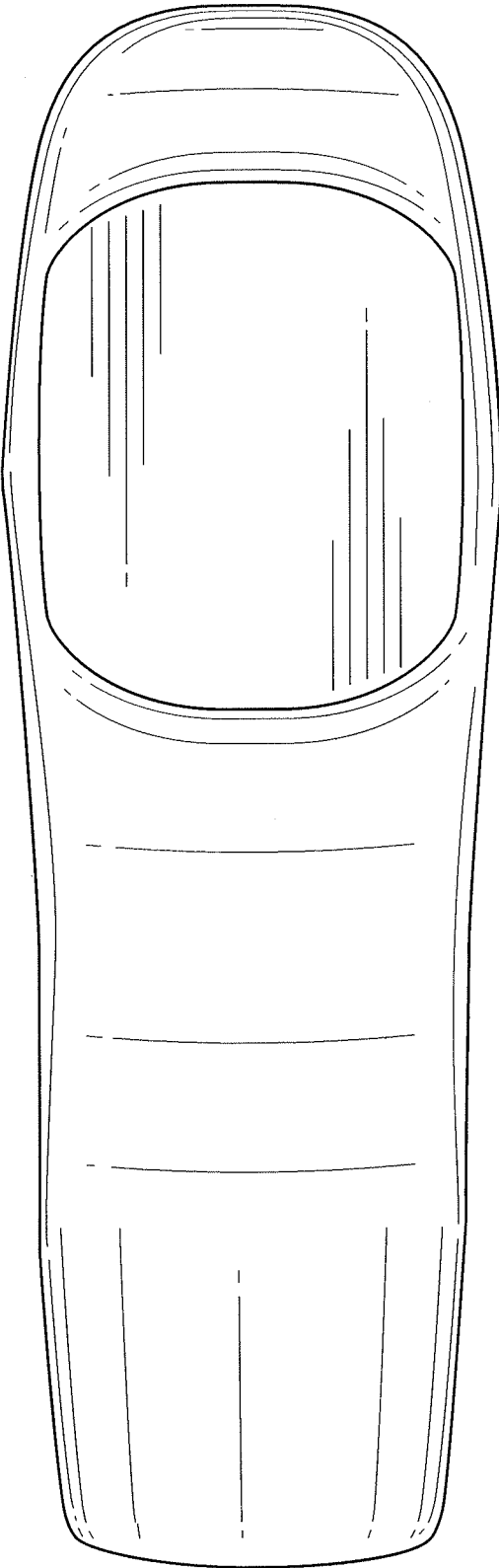


FIG. 7