



US00D635634S

(12) **United States Design Patent**
Swan

(10) **Patent No.:** **US D635,634 S**

(45) **Date of Patent:** **** Apr. 5, 2011**

(54) **LOW PROFILE FLIP UP FRONT SIGHT**

(76) Inventor: **Richard E. Swan**, E. Bridgewater, MA
(US)

(**) Term: **14 Years**

(21) Appl. No.: **29/353,894**

(22) Filed: **Jan. 15, 2010**

(51) **LOC (9) Cl.** **22-01**

(52) **U.S. Cl.** **D22/109**

(58) **Field of Classification Search** D22/108-110,
D22/199; 89/200-204; 359/399, 823, 744;
42/104, 105, 111-113, 116, 120, 124-126,
42/127-129, 141-148, 133-140; 33/227,
33/229

See application file for complete search history.

(56) **References Cited**

U.S. PATENT DOCUMENTS

| | | |
|-------------|---------|----------------|
| 308,699 A | 12/1884 | Rabbeth |
| 396,043 A | 1/1889 | Lyman |
| 426,887 A | 4/1890 | West |
| 561,360 A | 6/1896 | Taylor |
| 564,514 A | 7/1896 | Fuller |
| 805,770 A | 11/1905 | Bassell et al. |
| 878,857 A | 2/1908 | Bevier |
| 894,755 A | 7/1908 | Snedden |
| 1,034,925 A | 8/1912 | Newitt |
| 1,089,009 A | 3/1914 | Porter |
| 1,257,713 A | 2/1918 | Johnson |
| 1,260,907 A | 3/1918 | Johnson et al. |
| 1,276,572 A | 8/1918 | Rogers |
| 1,602,116 A | 10/1926 | Manahan et al. |
| 1,908,019 A | 5/1933 | Howard |
| 2,032,648 A | 3/1936 | Bliss |
| 2,093,676 A | 9/1937 | Hennessy |
| 2,276,446 A | 3/1942 | Zimmerman |
| 2,331,903 A | 10/1943 | Garand |
| 2,334,300 A | 11/1943 | Williams |
| 2,437,363 A | 3/1948 | Smith |
| 2,444,038 A | 6/1948 | Garand |

| | | |
|--------------|---------|---------------|
| 2,724,897 A | 11/1955 | Hough |
| 2,806,288 A | 9/1957 | Sarvis |
| 2,939,217 A | 6/1960 | Hajek |
| 3,930,316 A | 1/1976 | Tellie |
| 3,969,827 A | 7/1976 | Ellis |
| 4,665,622 A | 5/1987 | Idan |
| 4,691,442 A | 9/1987 | Center |
| 4,957,211 A | 9/1990 | Ekkert et al. |
| 5,533,292 A | 7/1996 | Swan |
| 6,490,822 B1 | 12/2002 | Swan |
| 6,568,118 B1 | 5/2003 | Teetzel |
| 6,606,813 B1 | 8/2003 | Squire et al. |
| 6,615,530 B2 | 9/2003 | Johansson |

(Continued)

FOREIGN PATENT DOCUMENTS

DE 151669 6/1904

(Continued)

Primary Examiner — T. Chase Nelson

Assistant Examiner — Michael A Pratt

(74) *Attorney, Agent, or Firm* — Barlow, Josephs & Holmes, Ltd.

(57) **CLAIM**

The ornamental design for a low profile flip up front sight, as shown and described.

DESCRIPTION

FIG. 1 is a perspective view of the low profile flip up front sight in accordance with the present invention;

FIG. 2 is a right side view thereof;

FIG. 3 is a rear view thereof;

FIG. 4 is a left side view thereof;

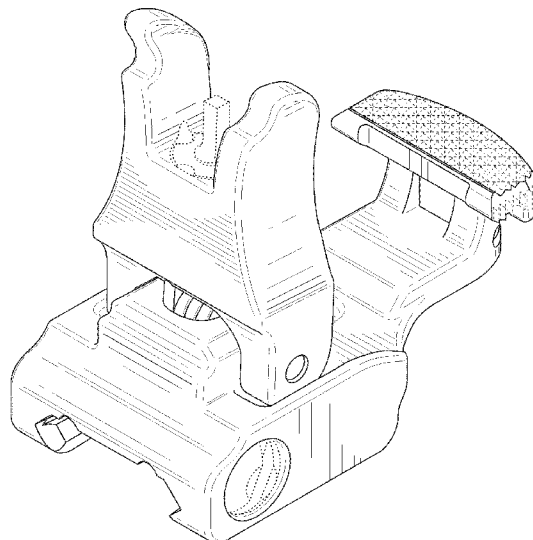
FIG. 5 is a bottom view thereof;

FIG. 6 is a top view thereof; and,

FIG. 7 is a front view thereof.

The elements depicted in broken line in the various figures are included for environmental purposes only, and form no part of the claimed design.

1 Claim, 7 Drawing Sheets



US D635,634 S

Page 2

U.S. PATENT DOCUMENTS

6,622,415 B1 9/2003 Canaday et al.
6,722,075 B1 4/2004 Gabaldon
6,732,467 B1 5/2004 Luth
6,779,290 B1 8/2004 Houtsma
6,968,643 B2 11/2005 Woodbury
7,076,907 B2 7/2006 Nesseth et al.
D526,380 S 8/2006 Swan
7,181,882 B2 2/2007 Woodbury
7,356,962 B2* 4/2008 Swan 42/147

D594,083 S 6/2009 Mayberry et al.
D594,084 S 6/2009 Mayberry et al.
D615,144 S * 5/2010 Mayberry et al. D22/109
2003/0140546 A1 7/2003 Kay

FOREIGN PATENT DOCUMENTS

GB 1272 7/1906
GB 169397 8/1921

* cited by examiner

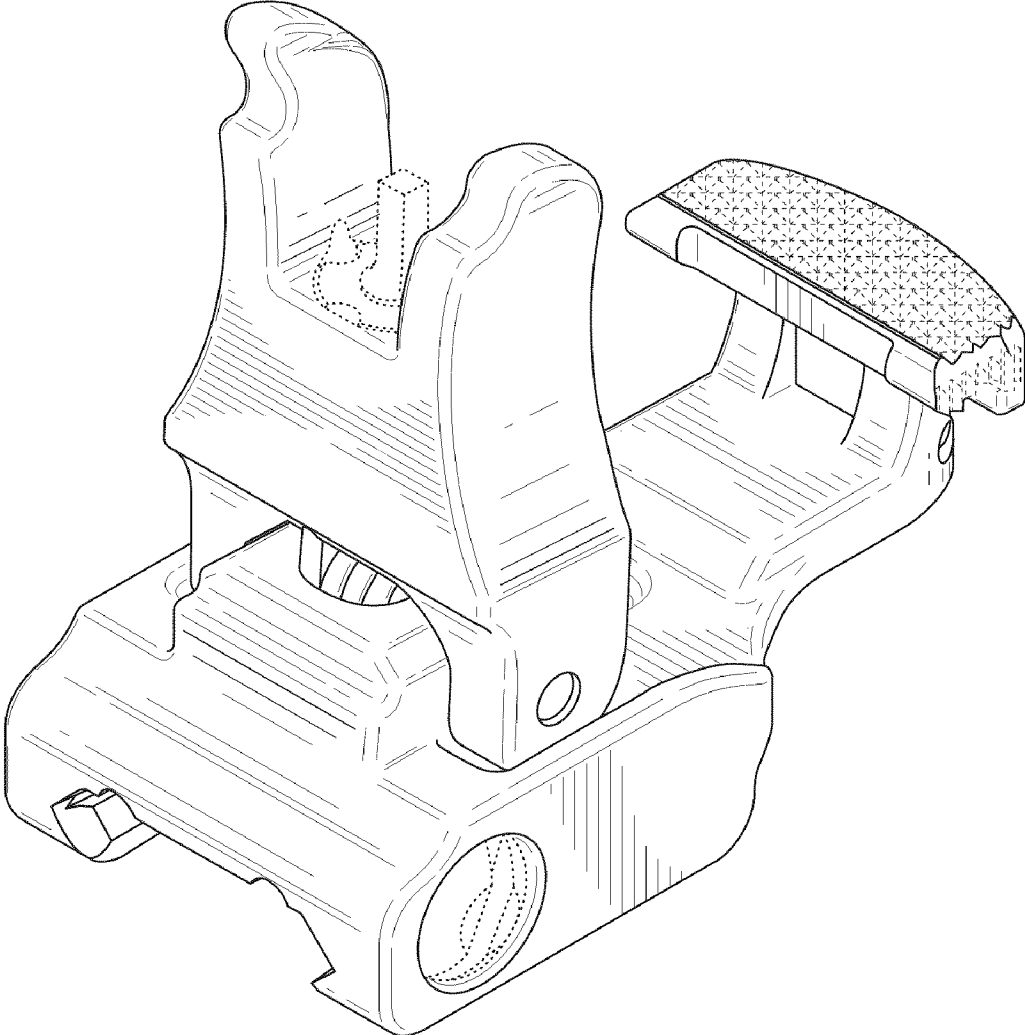


FIG. 1

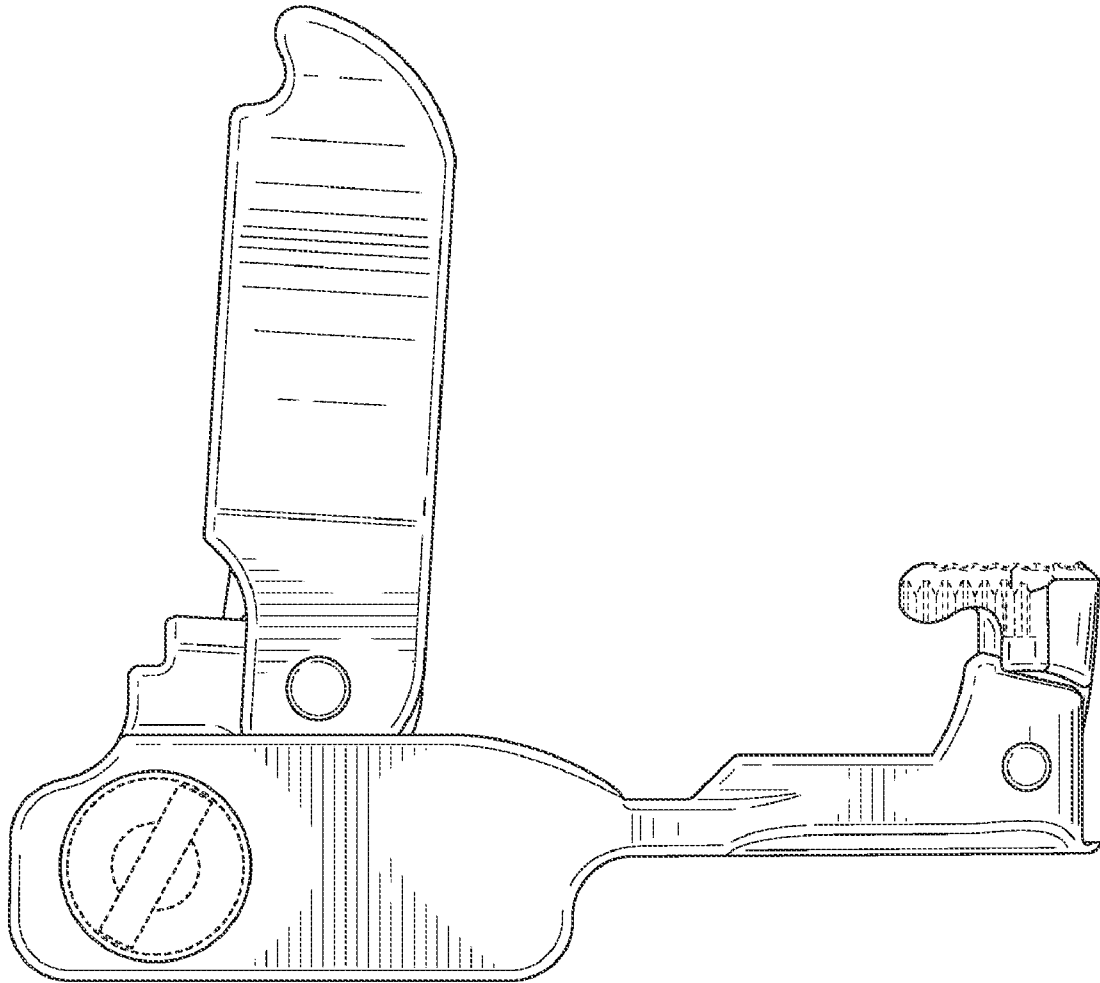


FIG. 2

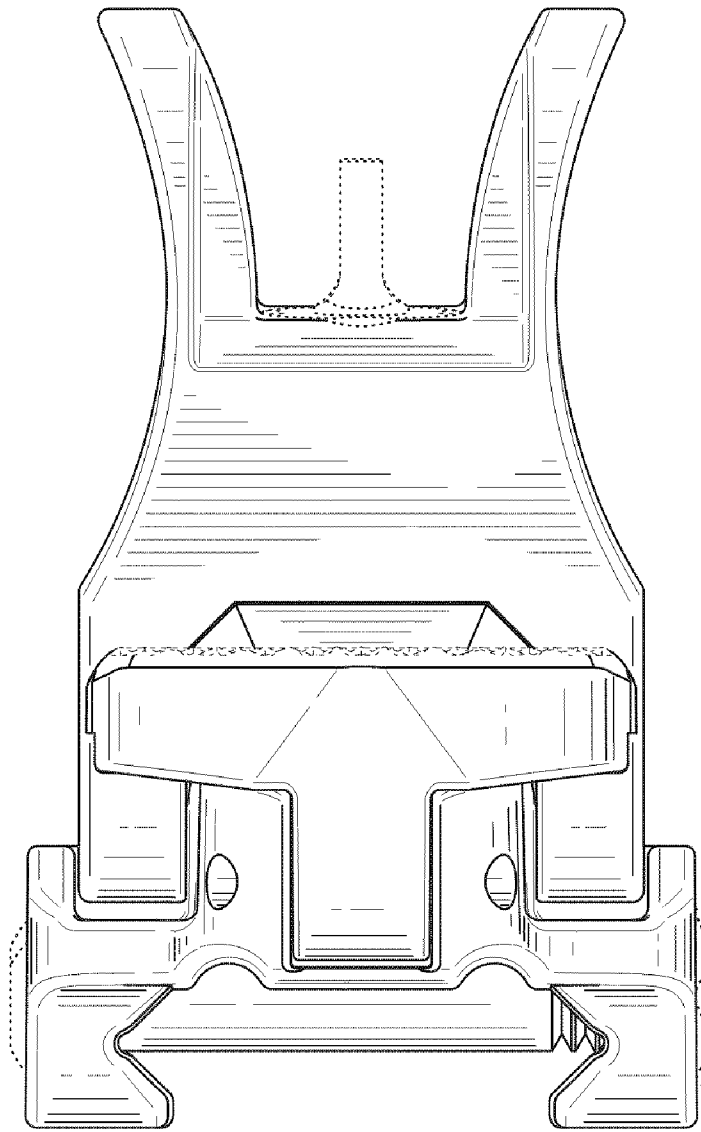


FIG. 3

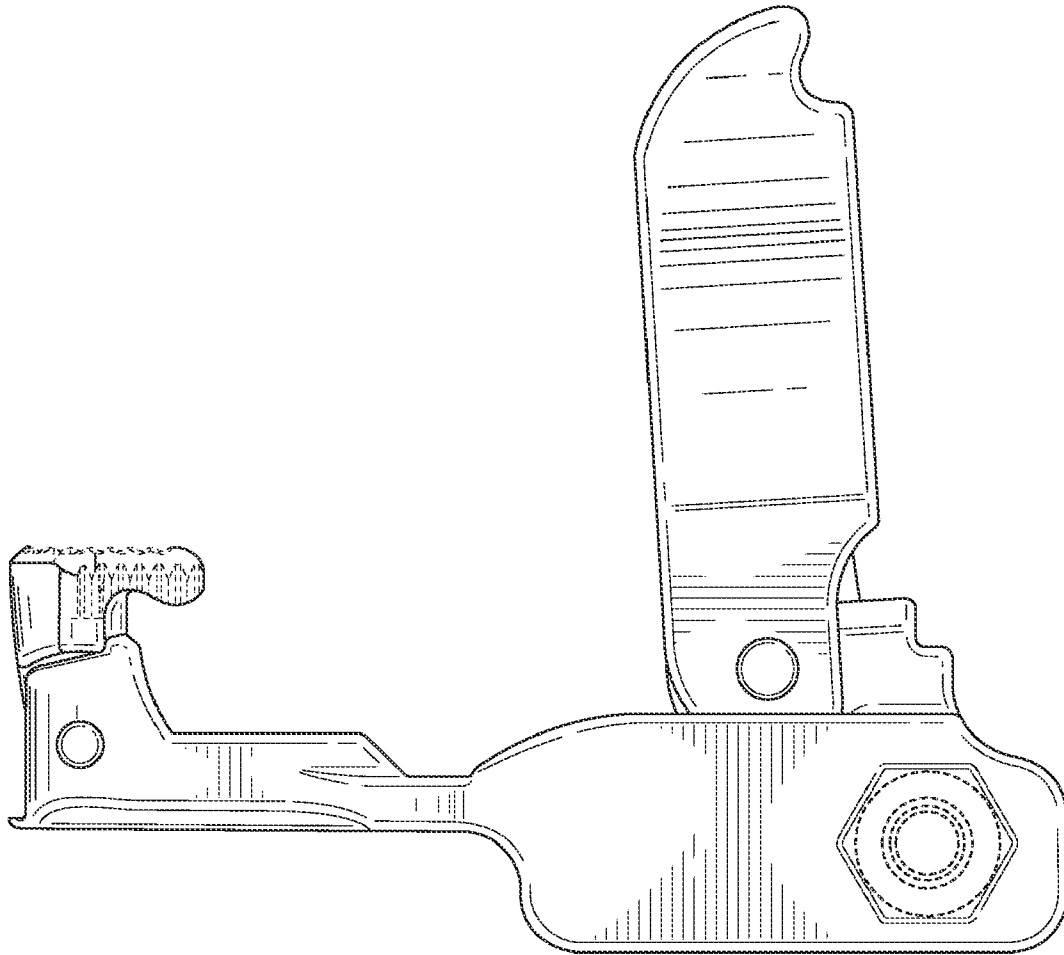


FIG. 4

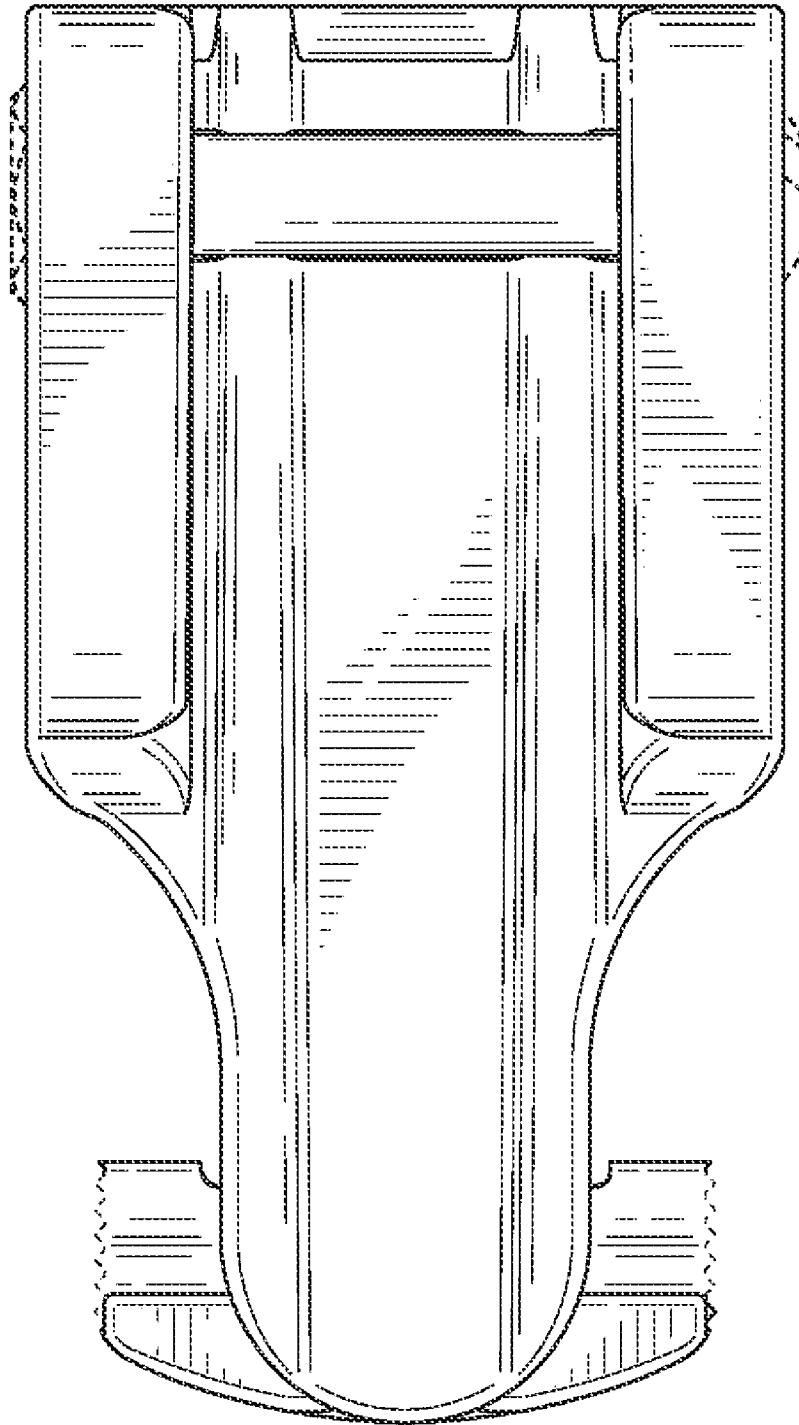


FIG. 5

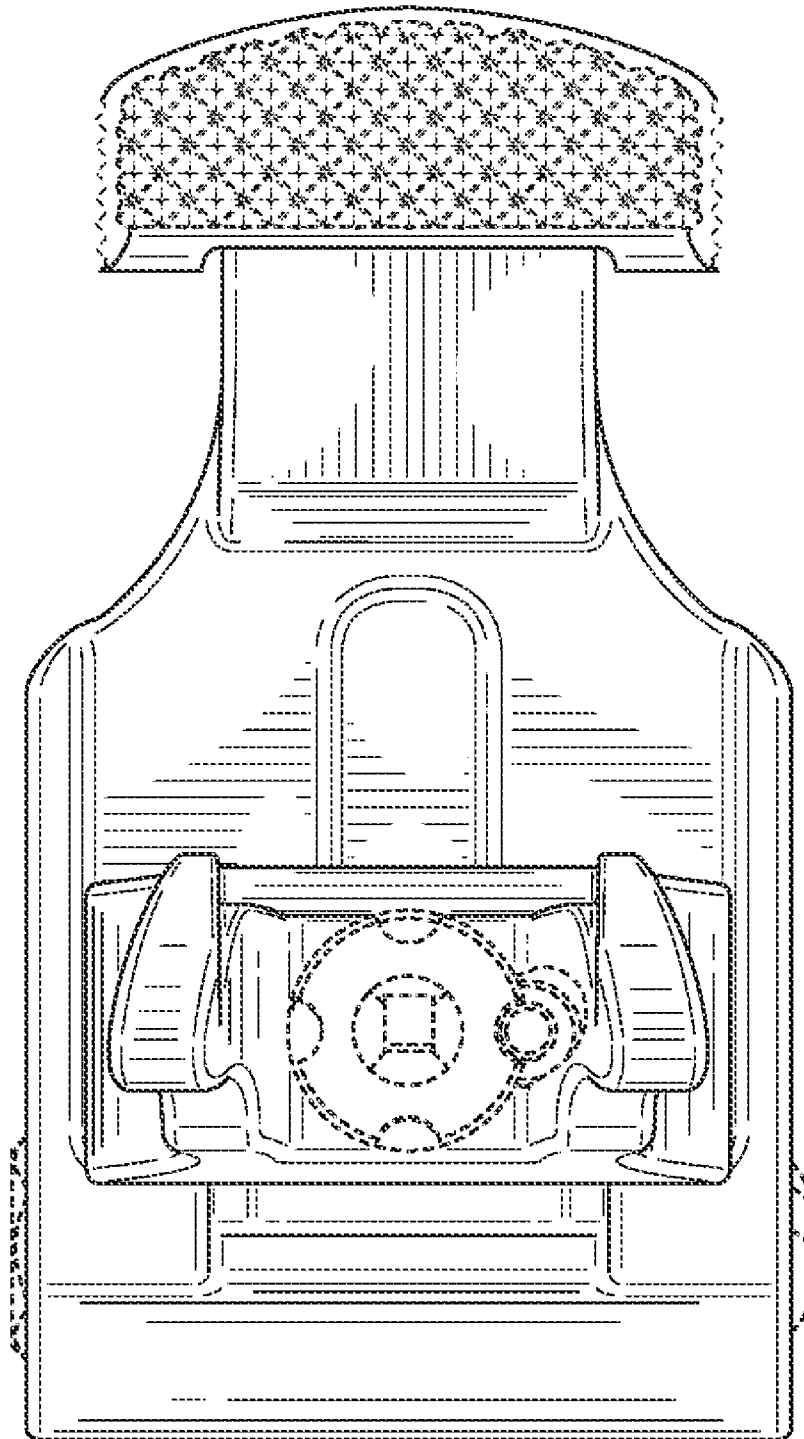


FIG. 6

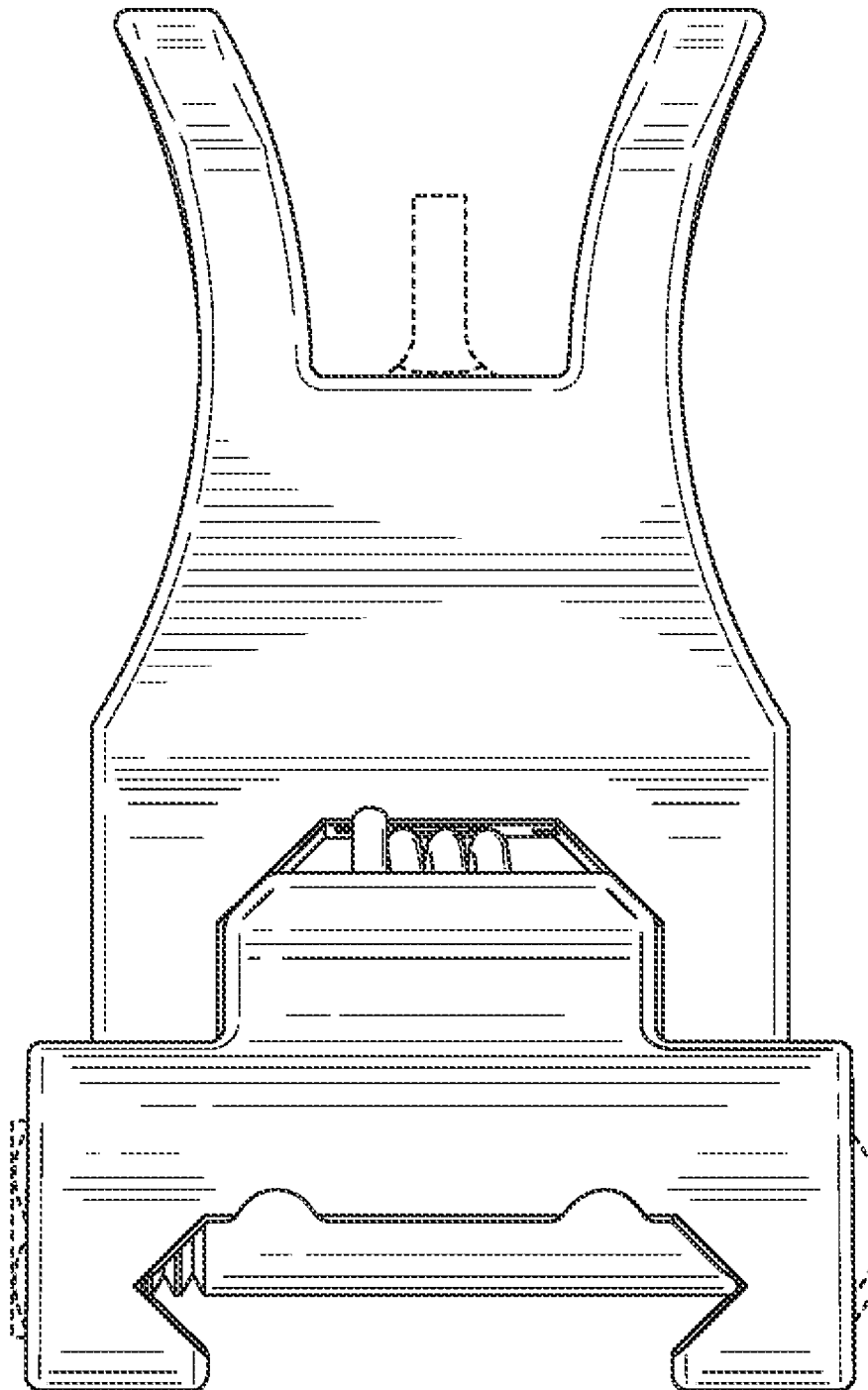


FIG. 7