



US00D829947S

(12) **United States Design Patent** (10) **Patent No.:** **US D829,947 S**
Jung et al. (45) **Date of Patent:** **** Oct. 2, 2018**

(54) **HEADLIGHT FOR CARS**

(56) **References Cited**

(71) Applicant: **HYUNDAI MOTOR COMPANY,**
Seoul (KR)

U.S. PATENT DOCUMENTS

(72) Inventors: **Woo-Joo Jung,** Anyang-si (KR);
Jun-Ho Kim, Uiwang-si (KR)

D602,616	S	*	10/2009	Okamura	D26/28
D605,793	S	*	12/2009	Weil	D26/28
D637,319	S	*	5/2011	Jeong	D26/28
D674,940	S	*	1/2013	Lai	D26/28
D709,213	S	*	7/2014	Futschik	D26/28
D709,219	S	*	7/2014	Kim	D26/28
D720,871	S	*	1/2015	Lim	D26/28
D739,578	S	*	9/2015	Han	D26/28
D740,463	S	*	10/2015	Ko	D26/28
D747,512	S	*	1/2016	Lai	D26/28
D750,299	S	*	2/2016	Morikawa	D26/28
D759,865	S	*	6/2016	Shim	D26/28
D760,413	S	*	6/2016	Shim	D26/28
D770,649	S	*	11/2016	Lim	D26/28
D771,293	S	*	11/2016	Ha	D26/28

(**) Term: **15 Years**

(21) Appl. No.: **35/503,208**

(22) Filed: **Apr. 25, 2017**

(80) **Hague Agreement Data**

Int. Filing Date: **Apr. 25, 2017**
Int. Reg. No.: **DM/096400**
Int. Reg. Date: **Apr. 25, 2017**
Int. Reg. Pub. Date: **Jun. 23, 2017**

* cited by examiner

Primary Examiner — George D Kirschbaum
Assistant Examiner — Natasha Vujcic

(30) **Foreign Application Priority Data**

Feb. 3, 2017 (KR) 30-2017-0005175

(51) **LOC (11) Cl.** **26-06**

(52) **U.S. Cl.**
USPC **D26/28**

(58) **Field of Classification Search**

USPC ... D26/3, 28, 76, 78, 79, 80, 81, 82, 83, 85,
D26/86, 88, 90, 93, 111, 113, 118, 119,
D26/120, 121, 122, 138, 139, 140, 141,
D26/142, 152
CPC F21S 2/00; F21S 4/00; F21S 4/003; F21S
4/005; F21S 4/006; F21S 4/007; F21S
4/008; F21S 6/00; F21S 8/00; F21S
8/024; F21S 8/026; F21S 8/031; F21S
8/033; F21S 8/035-8/037; F21S 8/04;
F21S 8/043; F21S 8/063

See application file for complete search history.

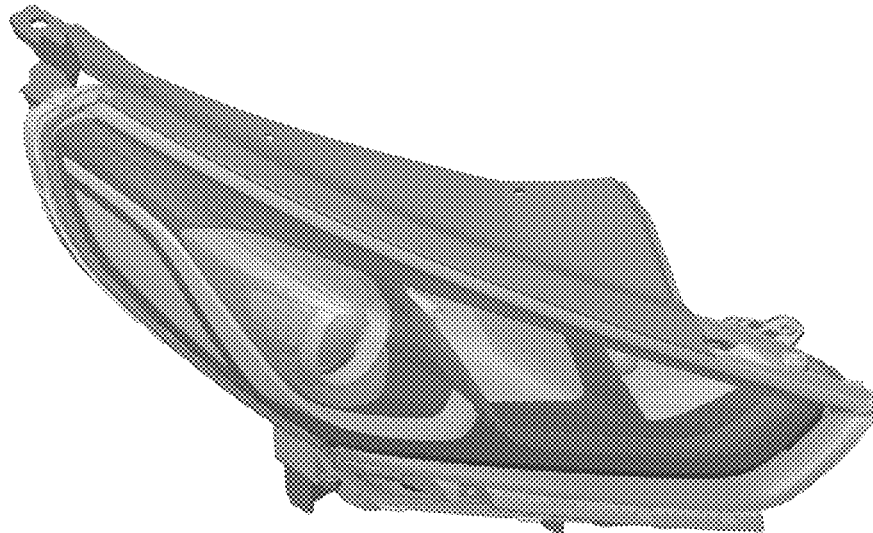
(57) **CLAIM**

The ornamental design for a headlight for cars, as shown and described.

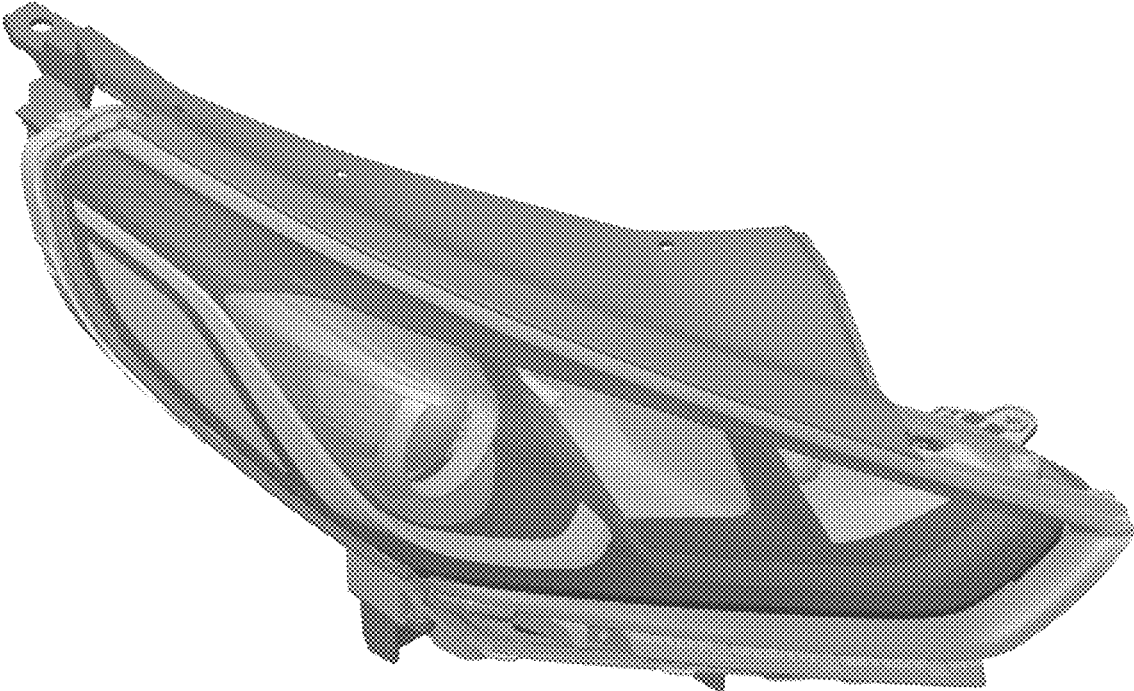
DESCRIPTION

- 1. Headlight for cars
- 1.1 : Perspective
- 1.2 : Front
- 1.3 : Back
- 1.4 : Left
- 1.5 : Right
- 1.6 : Top
- 1.7 : Bottom

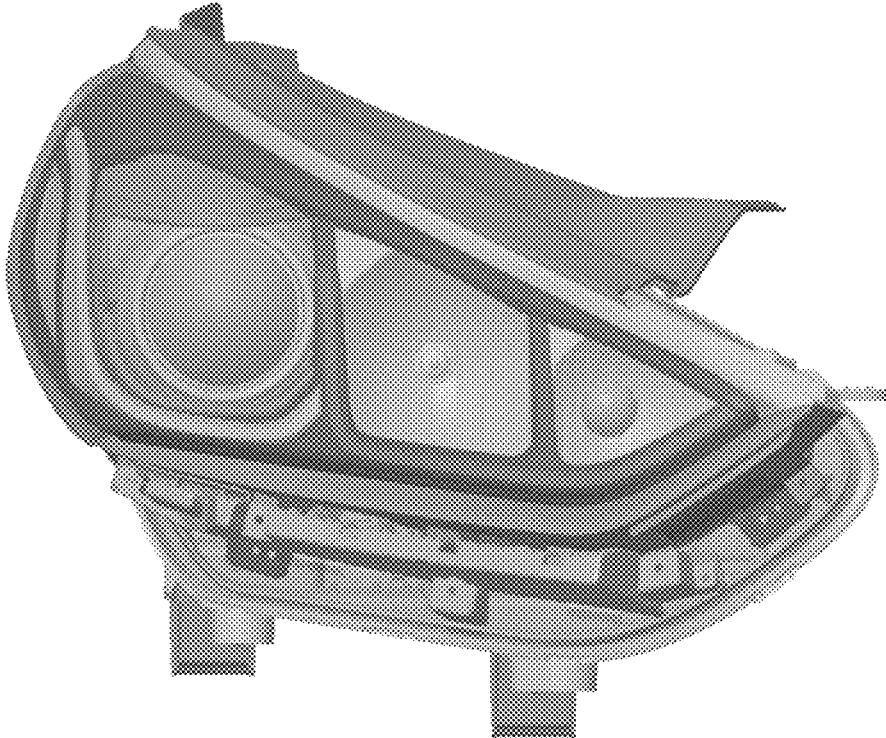
1 Claim, 7 Drawing Sheets



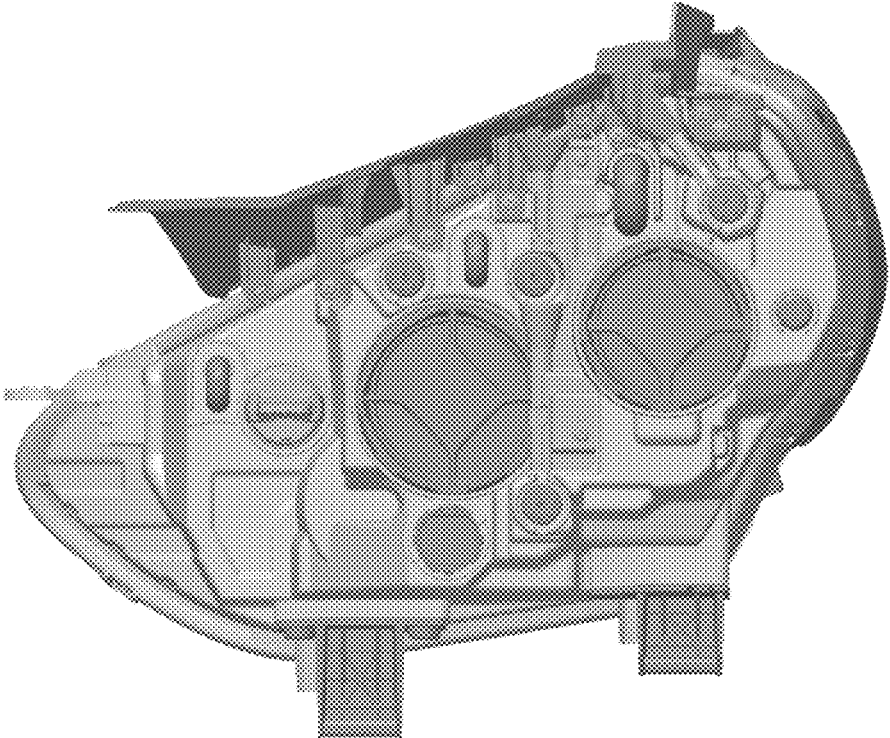
1.1



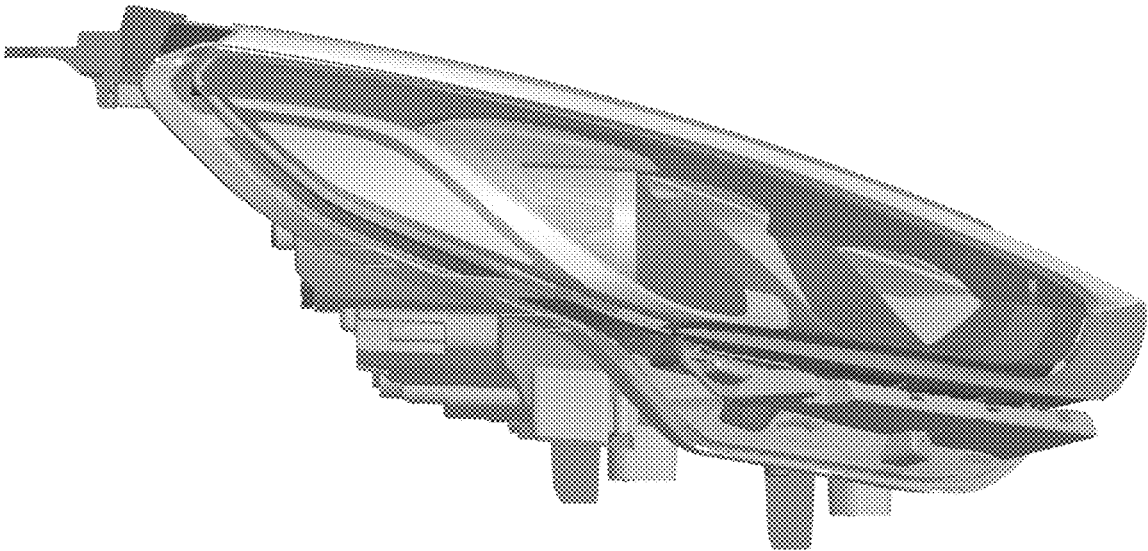
1.2



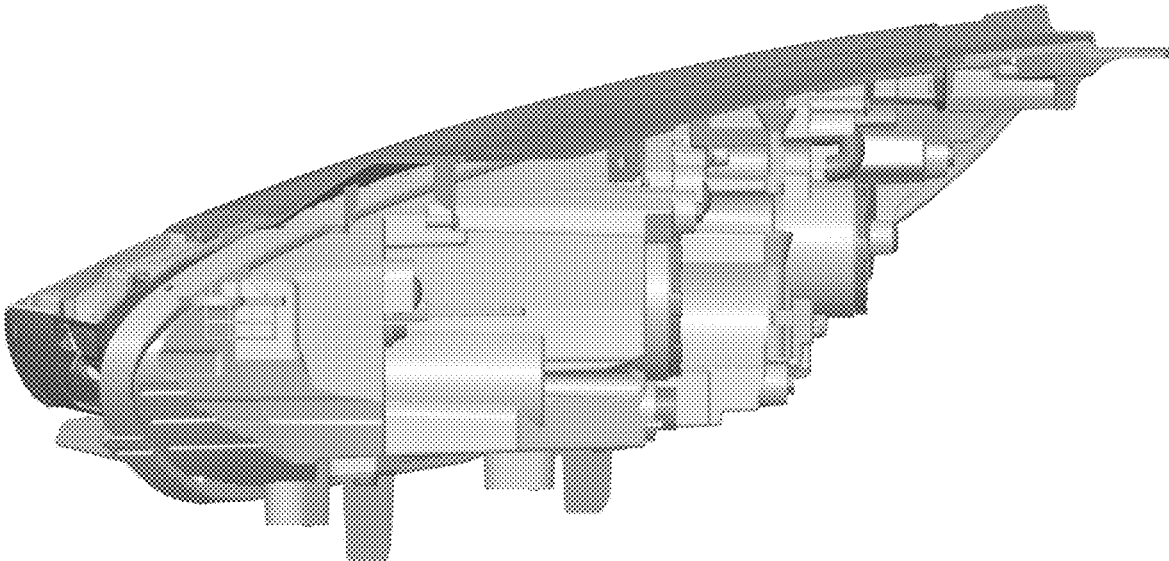
1.3



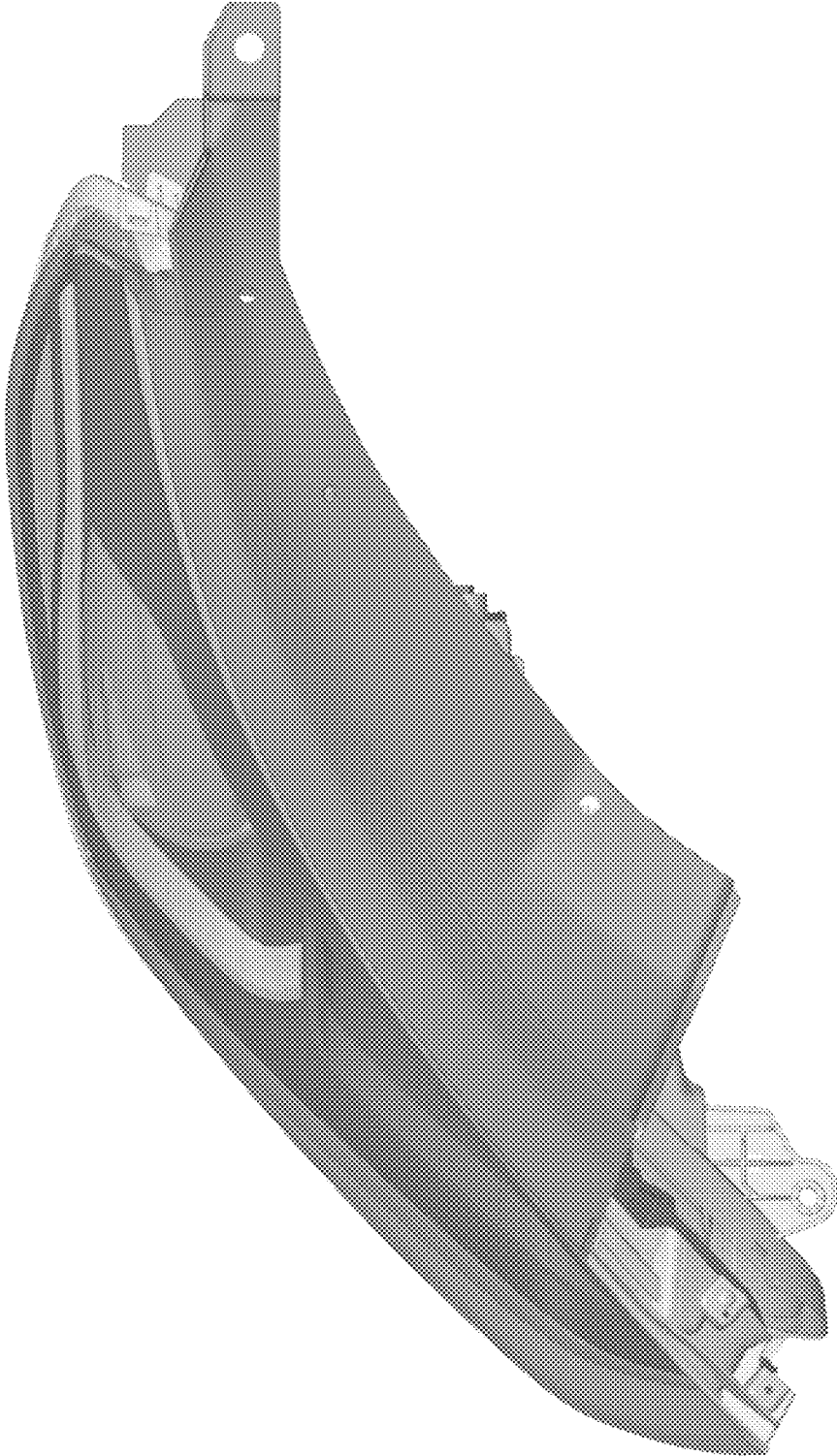
1.4



1.5



1.6



1.7

