



US00D523177S

(12) **United States Design Patent**
Ashiwa et al.

(10) **Patent No.:** **US D523,177 S**

(45) **Date of Patent:** **** Jun. 13, 2006**

(54) **COSMETIC CONTAINER**

(75) Inventors: **Akiko Ashiwa**, Kobe (JP); **Tadayasu Koga**, Kobe (JP)

(73) Assignee: **The Procter & Gamble Company**, Cincinnati, OH (US)

(**) Term: **14 Years**

(21) Appl. No.: **29/219,154**

(22) Filed: **Dec. 13, 2004**

(30) **Foreign Application Priority Data**

Jun. 14, 2004 (GB) 3017672

(51) **LOC (8) Cl.** **28-03**

(52) **U.S. Cl.** **D28/82**

(58) **Field of Classification Search** D28/76,
D28/77, 78, 81, 82; D9/529; 220/4.22, 4.27;
132/293-307; 206/581, 823

See application file for complete search history.

(56) **References Cited**

U.S. PATENT DOCUMENTS

2,315,647 A * 4/1943 Nyden 132/305
3,552,402 A * 1/1971 Levy 132/293
D423,723 S * 4/2000 Metcalf D28/77

6,354,308 B1 * 3/2002 Kuk 132/301
D473,345 S * 4/2003 Thorpe D28/82
2003/0172949 A1 * 9/2003 Alexander et al. 132/303

* cited by examiner

Primary Examiner—Jennifer Rivard

(74) *Attorney, Agent, or Firm*—Vladimir Vitenberg; Laura L. Whitmer; Tara M. Rosnell

(57) **CLAIM**

The ornamental design for a cosmetic container, as shown and described.

DESCRIPTION

FIG. 1 is a front view of a cosmetic container embodying our new design;

FIG. 2 is a back view thereof;

FIG. 3 is a right side view thereof;

FIG. 4 is a left side view thereof;

FIG. 5 is a top plan view thereof;

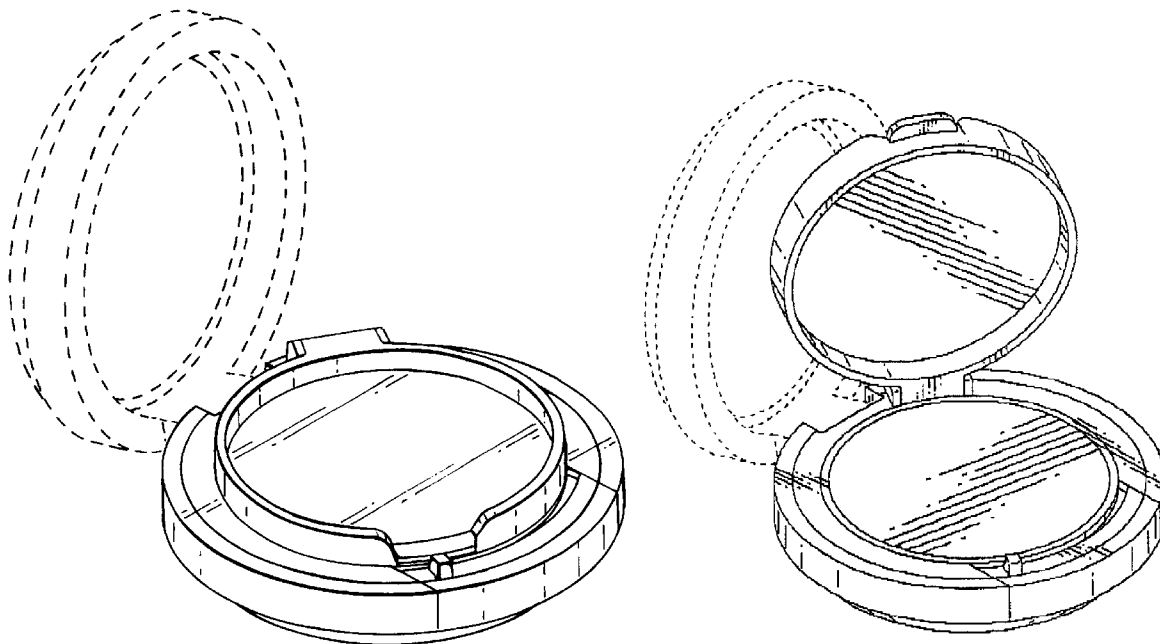
FIG. 6 is a bottom view thereof;

FIG. 7 is a perspective view thereof; and,

FIG. 8 is a reference view of a cosmetic container with an outer lid, embodying our new design.

The broken lines are shown for illustrative purposes only and form no part of the claimed design.

1 Claim, 4 Drawing Sheets



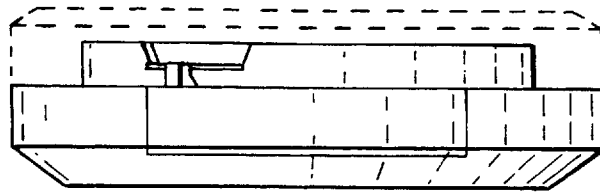


Fig.1

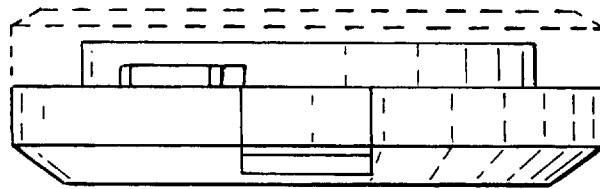


Fig.2

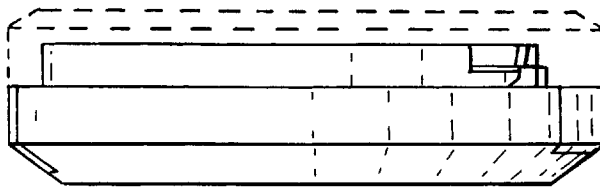


Fig.3

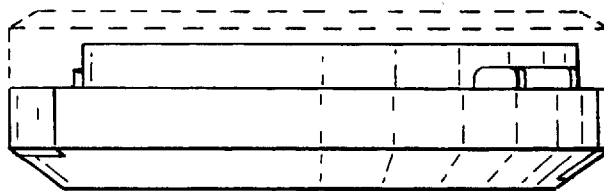


Fig.4

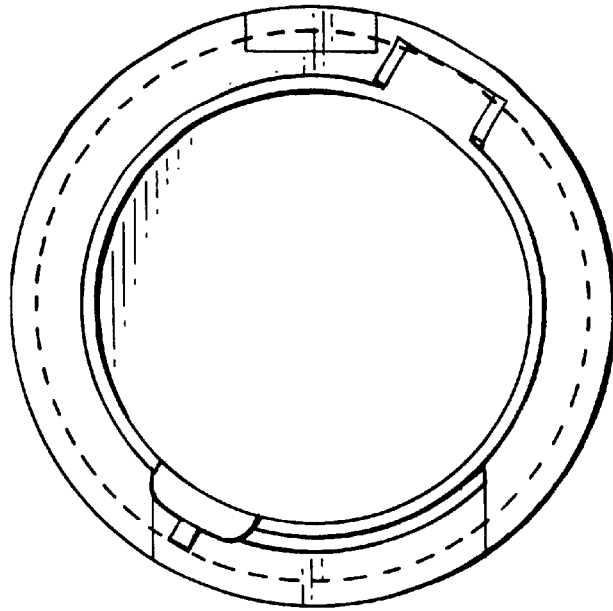


Fig.5

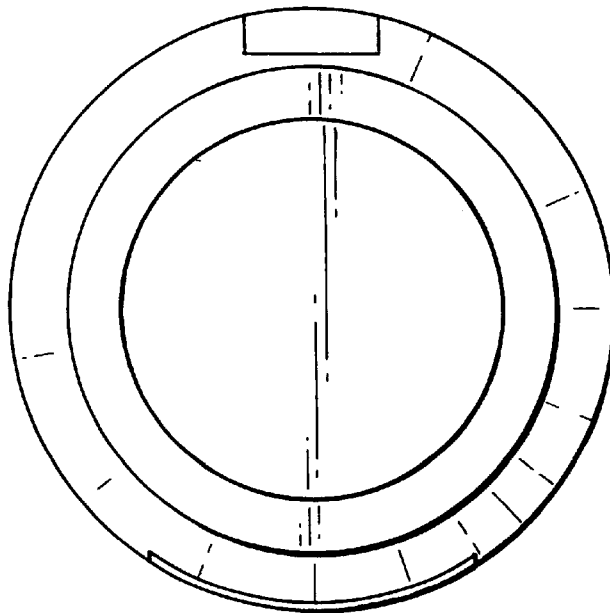


Fig.6

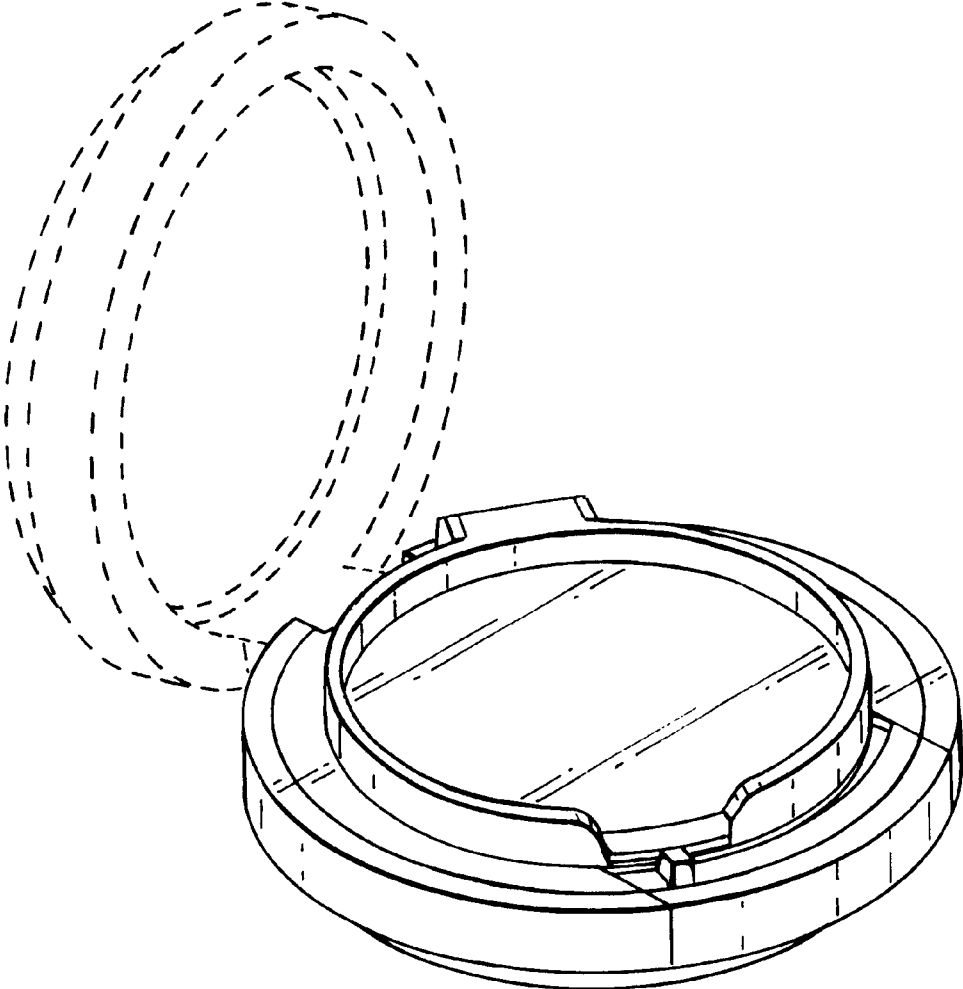


Fig.7

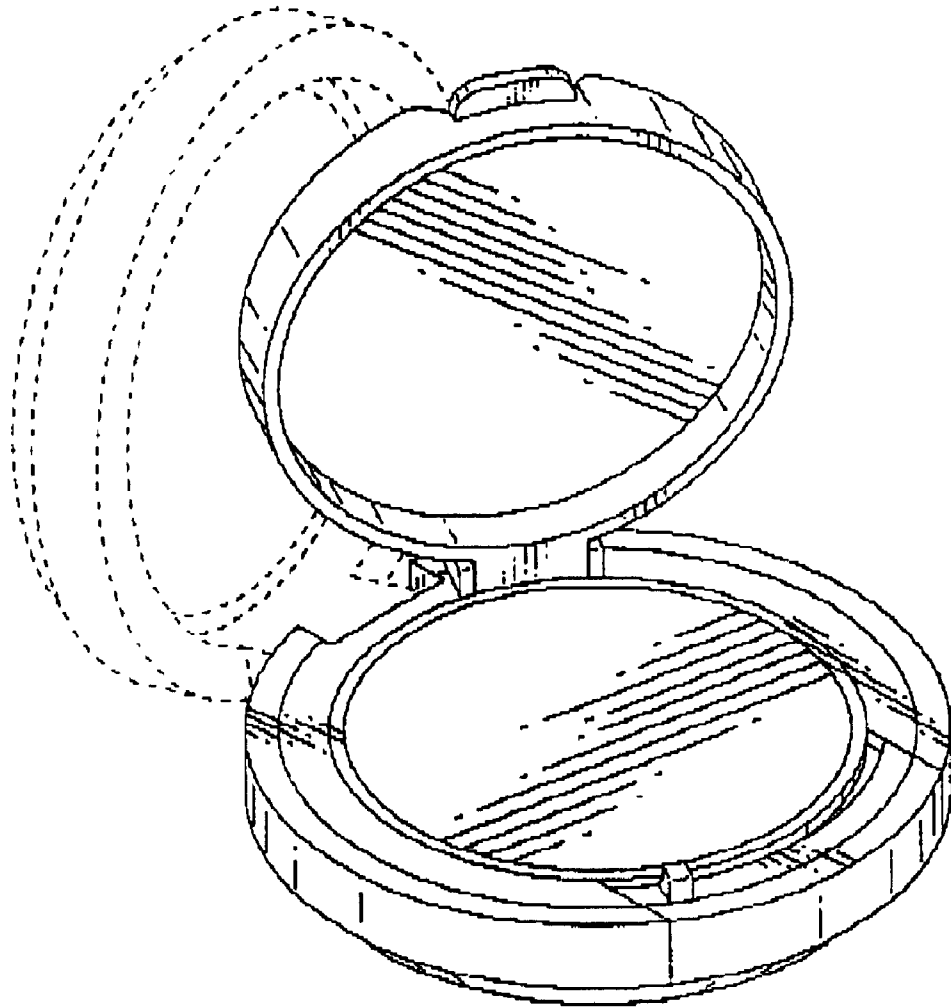


Fig. 8