



US00D913425S

(12) **United States Design Patent**  
**Eads**

(10) **Patent No.:** **US D913,425 S**

(45) **Date of Patent:** **\*\* Mar. 16, 2021**

(54) **FAUCET**

(71) Applicant: **DELTA FAUCET COMPANY,**  
Indianapolis, IN (US)

(72) Inventor: **Thad Eads,** Urbana, IN (US)

(73) Assignee: **DELTA FAUCET COMPANY,**  
Indianapolis, IN (US)

(\*\*) Term: **15 Years**

(21) Appl. No.: **29/679,864**

(22) Filed: **Feb. 11, 2019**

(51) **LOC (13) Cl.** ..... **23-01**

(52) **U.S. Cl.**  
USPC ..... **D23/238**

(58) **Field of Classification Search**  
USPC ..... D23/238-242, 254, 255, 257  
See application file for complete search history.

(56) **References Cited**

**U.S. PATENT DOCUMENTS**

D368,302 S *	3/1996	Doughty	.....	D23/241
D406,876 S *	3/1999	Ko	.....	D23/241
D518,149 S *	3/2006	Spangler	.....	D23/241
D520,115 S *	5/2006	Fritz	.....	D23/241
D522,093 S *	5/2006	Fritz	.....	D23/241
D643,096 S *	8/2011	Corbett	.....	D23/242
D657,019 S *	4/2012	Padgett	.....	D23/242
D704,305 S *	5/2014	Flowers	.....	D23/242
D754,297 S *	4/2016	Garland	.....	D23/242
D755,932 S *	5/2016	Fritz	.....	D23/242
D767,099 S *	9/2016	Flowers	.....	D23/242
D791,279 S *	7/2017	Fritz	.....	D23/242
D791,280 S *	7/2017	Fritz	.....	D23/242
D796,638 S *	9/2017	Liao	.....	D23/242
D820,409 S *	6/2018	Zeng	.....	D23/242

D822,171 S *	7/2018	Bennett	.....	D23/242
D839,390 S *	1/2019	Eads	.....	D23/242
D859,591 S *	9/2019	Kuang	.....	D23/242
D865,126 S *	10/2019	Zeng	.....	D23/242
D873,965 S *	1/2020	Lazarini	.....	D23/241
2019/0390446 A1 *	12/2019	Mooren	.....	E03C 1/0401

**FOREIGN PATENT DOCUMENTS**

CA	82581	*	12/1997
CA	04-1999	*	4/1999

(Continued)

**OTHER PUBLICATIONS**

Two handle faucet, announced Date unavailable[online], [site visited Jul. 13, 2020]. Available from internet, URL:<https://www.deltafaucet.com/kitchen/product/2497LF-CZ> (Year: 2020).\*

(Continued)

*Primary Examiner* — Barbara Fox  
*Assistant Examiner* — Jamaal Rasheed  
(74) *Attorney, Agent, or Firm* — Nirav D. Parikh; Edgar A. Zarins

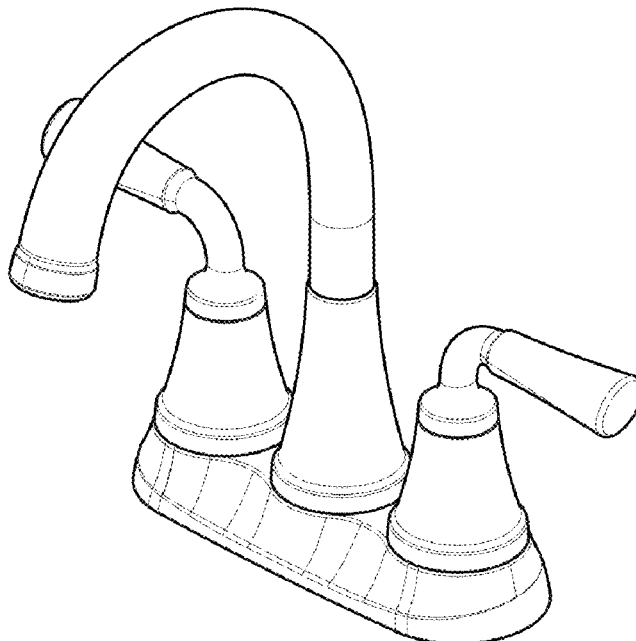
(57) **CLAIM**

The ornamental design for a faucet, as shown and described.

**DESCRIPTION**

FIG. 1 is a first front perspective view of a faucet showing my new design;  
FIG. 2 is a rear perspective view thereof;  
FIG. 3 is a right side view thereof;  
FIG. 4 is a front elevational view thereof;  
FIG. 5 is a rear view thereof;  
FIG. 6 is a left side view thereof; and,  
FIG. 7 is a top plan view thereof.

**1 Claim, 4 Drawing Sheets**



(56)

**References Cited**

FOREIGN PATENT DOCUMENTS

CA	146286	*	7/2012
CA	151300	*	5/2013

OTHER PUBLICATIONS

Two Handle Faucet, announced Date unavailable[online], [site visited Jul. 13, 2020]. Available from internet, URL:<<https://www.deltafaucet.com/kitchen/product/21716LF-OB>> (Year: 2020).\*

Two Handle Faucet, announced Date unavailable[online], [site visited Jul. 13, 2020]. Available from internet, URL:<<https://www.deltafaucet.com/kitchen/product/21742LF>> (Year: 2020).\*

\* cited by examiner

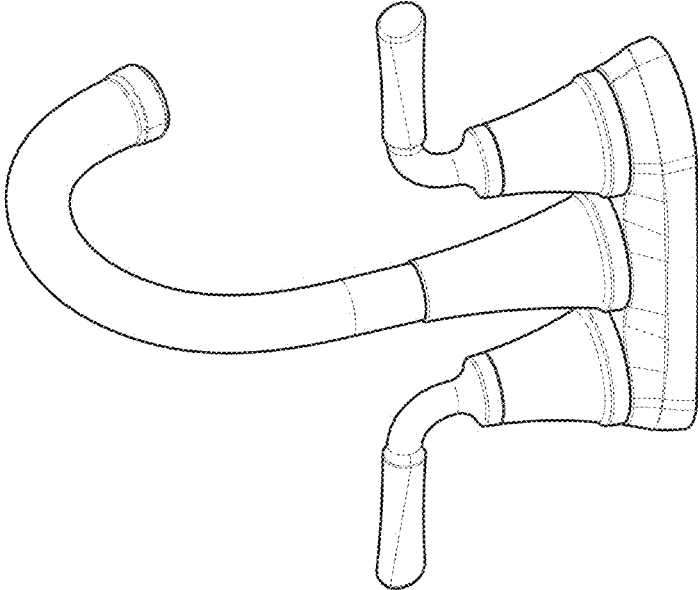


FIG 2

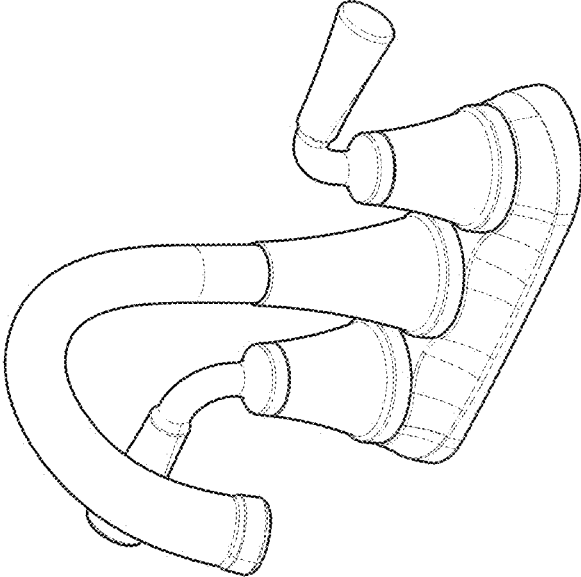


FIG 1

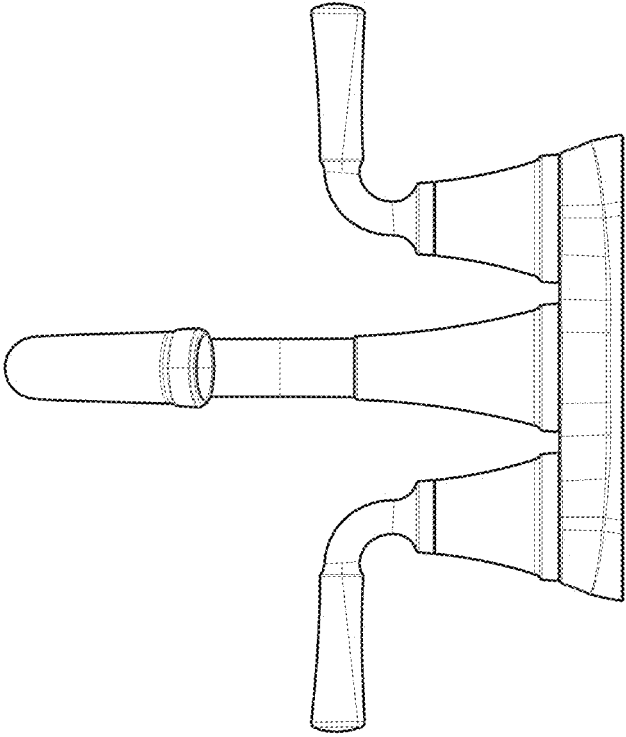


FIG 4

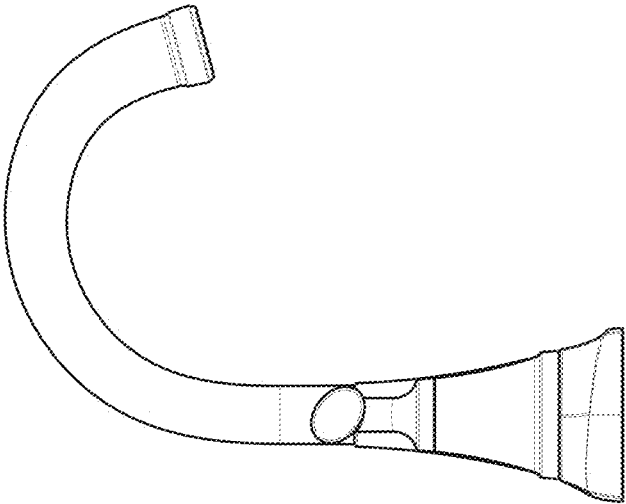


FIG 3

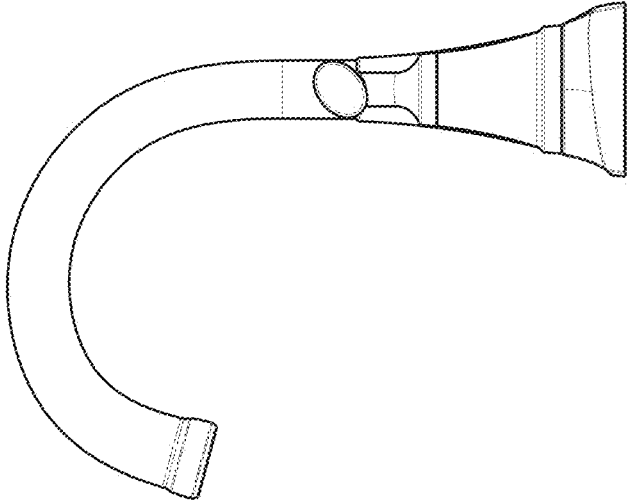


FIG 6

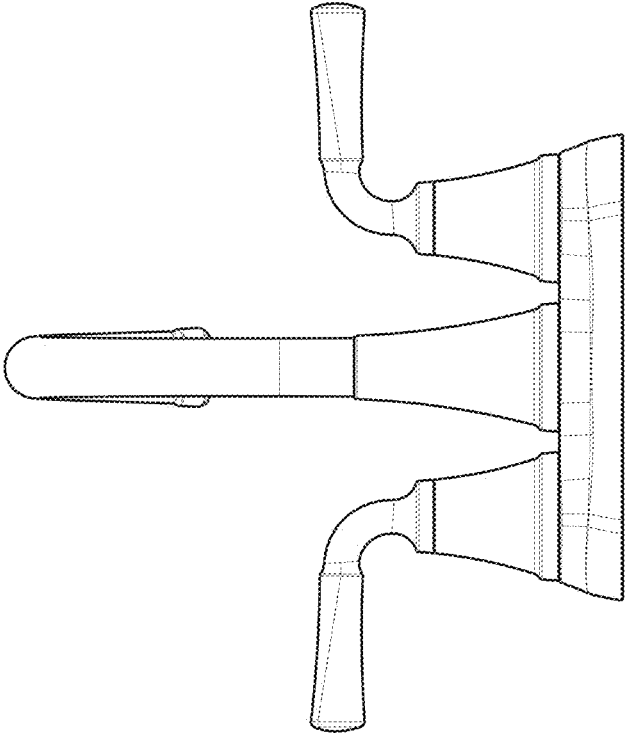


FIG 5

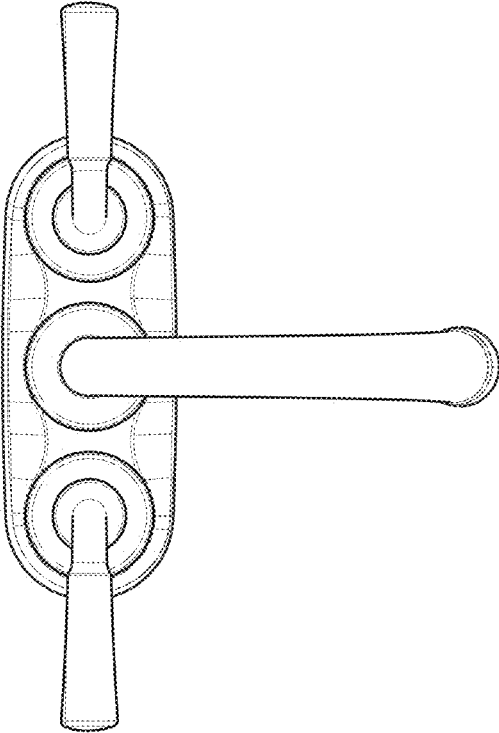


FIG 7