



US00D783892S

(12) **United States Design Patent**
Peng

(10) **Patent No.:** **US D783,892 S**

(45) **Date of Patent:** **** Apr. 11, 2017**

(54) **LAMP HOLDER HOUSING**

(74) *Attorney, Agent, or Firm* — Alan D. Kamrath;
Kamrath IP Lawfirm, P.A.

(71) Applicant: **Rich Brand Industries Limited,**
Dongguan, Guangdong Province (CN)

(57) **CLAIM**

The ornamental design for a lamp holder housing, as shown and described.

(72) Inventor: **Te-Shui Peng,** Taoyuan (TW)

(73) Assignee: **Rich Brand Industries Limited,**
Dongguan (CN)

DESCRIPTION

(**) Term: **15 Years**

FIG. 1 is a perspective view of the lamp holder housing showing my new design;

(21) Appl. No.: **29/546,717**

FIG. 2 is a front elevational view thereof;

(22) Filed: **Nov. 25, 2015**

FIG. 3 is a rear elevational view thereof;

(51) **LOC (10) Cl.** **26-99**

FIG. 4 is a left side elevational view thereof;

(52) **U.S. Cl.**
USPC **D26/138**

FIG. 5 is a right side elevational view thereof;

(58) **Field of Classification Search**

FIG. 6 is a top plan view thereof;

USPC D26/64, 66, 138-139, 26-28, 72, 74-76,

FIG. 7 is a bottom plan view thereof;

D26/81-82, 106, 109, 113, 118, 142;

FIG. 8 is a perspective view of the top cover portion of the lamp holder housing showing my new design, separated for ease of illustration;

D13/110, 123, 133, 135, 137, 138, 199

FIG. 9 is a front elevational view thereof;

CPC H01R 25/00; H01R 25/14; H01R 25/142;

FIG. 10 is a rear elevational view thereof;

F21V 23/0442; F21V 23/04; F21V

FIG. 11 is a left side elevational view thereof;

15/013; F21V 21/005

FIG. 12 is a right side elevational view thereof;

See application file for complete search history.

FIG. 13 is a top plan view thereof;

FIG. 14 is a bottom plan view thereof;

FIG. 15 is a perspective view of the bottom holder portion of the lamp holder housing showing my new design, separated for ease of illustration;

(56) **References Cited**

U.S. PATENT DOCUMENTS

D91,143 S * 12/1933 Nero D13/134

FIG. 16 is a front elevational view thereof;

2,583,916 A * 1/1952 Wickman F23D 3/00

FIG. 17 is a rear elevational view thereof;

126/256

FIG. 18 is a left side elevational view thereof;

2,599,419 A * 6/1952 Stark F21L 4/00

FIG. 19 is a right side elevational view thereof;

362/185

FIG. 20 is a top plan view thereof; and,

FIG. 21 is a bottom plan view.

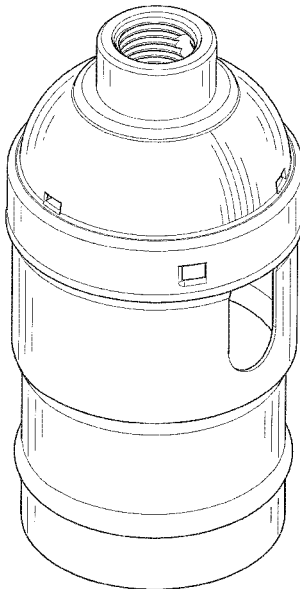
The broken lines in the drawings depict portions of the lamp holder housing that form no part of the claimed design.

(Continued)

Primary Examiner — Eric Goodman

Assistant Examiner — Christopher J Matthews

1 Claim, 14 Drawing Sheets



(56)

References Cited

U.S. PATENT DOCUMENTS

D448,880 S * 10/2001 Benghozi D26/74
D452,581 S * 12/2001 Zakrzewski D13/139.2
6,555,750 B2 * 4/2003 Kiely H02G 3/0691
174/50
7,081,001 B1 * 7/2006 Conroy H01R 13/625
439/314
7,205,489 B2 * 4/2007 Auray H01R 4/646
174/650
7,228,869 B2 * 6/2007 Wilhelm F16K 17/0433
137/514
7,381,088 B1 * 6/2008 Gretz H01R 13/5804
174/661
D578,249 S * 10/2008 Conroy D26/138
7,854,627 B1 * 12/2010 Gretz H02G 3/083
439/557
7,896,404 B2 * 3/2011 Hull F16L 37/0987
285/148.23
7,952,034 B2 * 5/2011 Kiely H02G 3/0683
174/650
D658,328 S * 4/2012 Baldwin D26/138
8,147,089 B2 * 4/2012 Matthews F21L 4/027
362/196
8,350,163 B2 * 1/2013 Auray H02G 3/0691
174/650
9,103,448 B2 * 8/2015 Witkowski F16K 5/0457
D743,617 S * 11/2015 Clifton-Draper D26/114
2013/0052868 A1 * 2/2013 Yang H01R 33/9555
439/620.02
2014/0048734 A1 * 2/2014 Witkowski F16K 5/0457
251/309
2016/0028196 A1 * 1/2016 Peng H01R 13/70
362/394

* cited by examiner

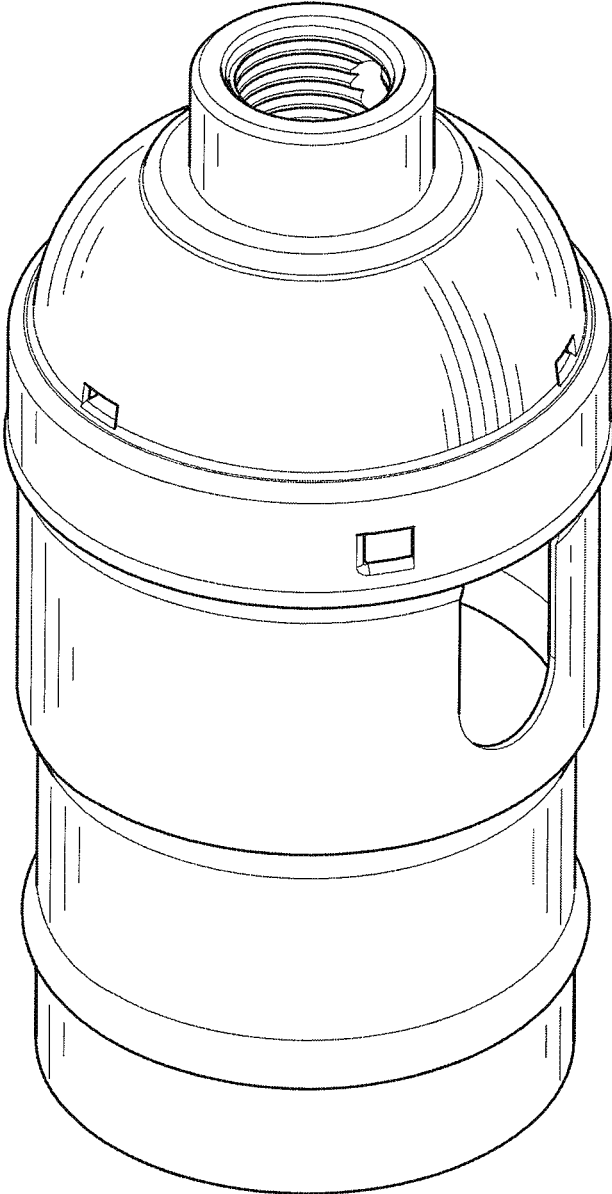


FIG. 1

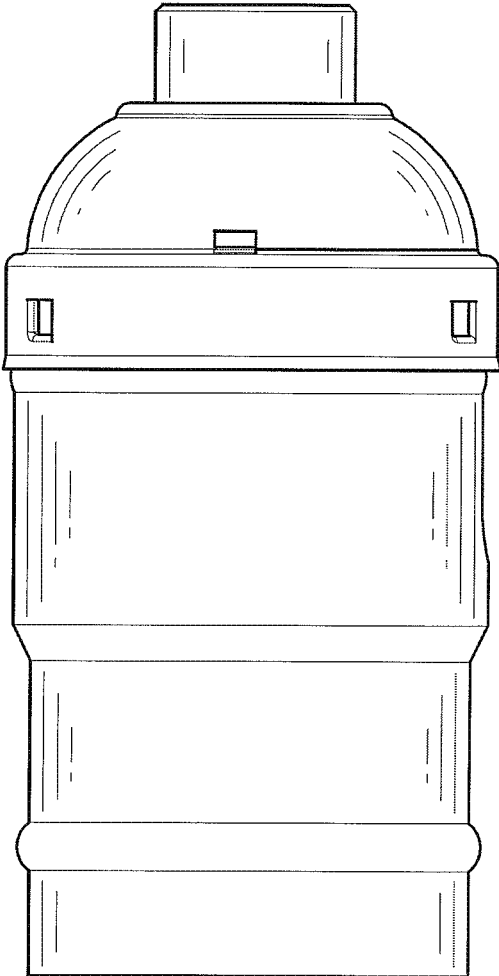


FIG. 2

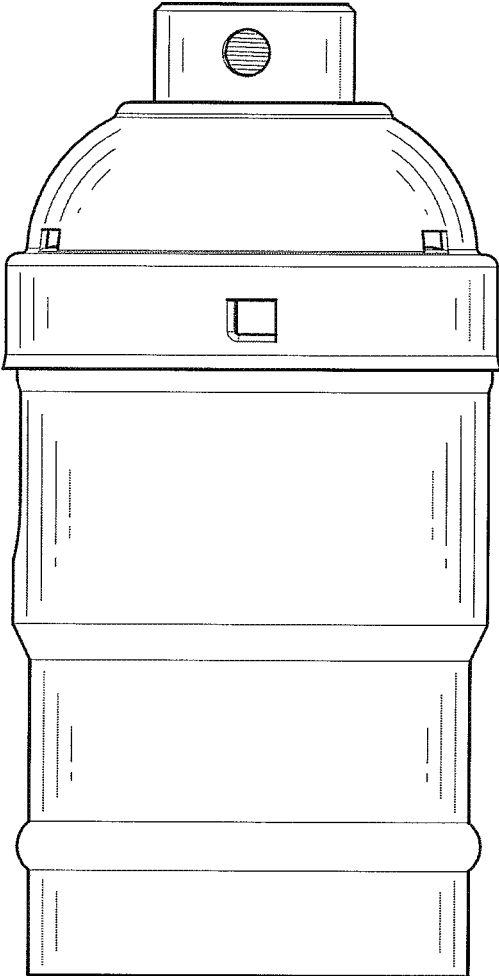


FIG. 3

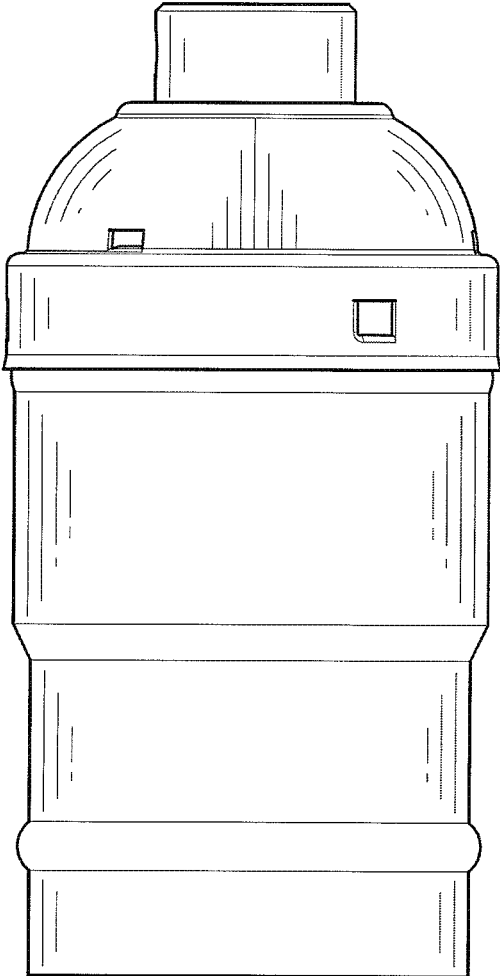


FIG. 4

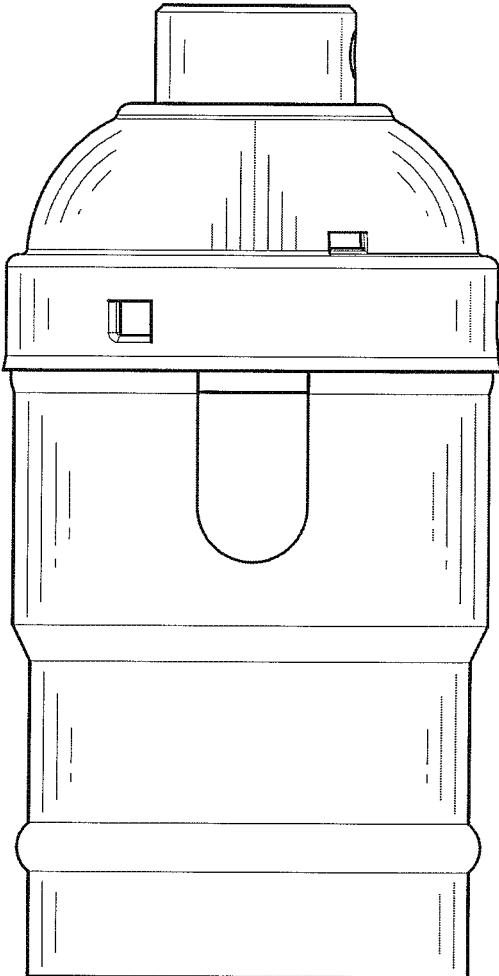


FIG. 5

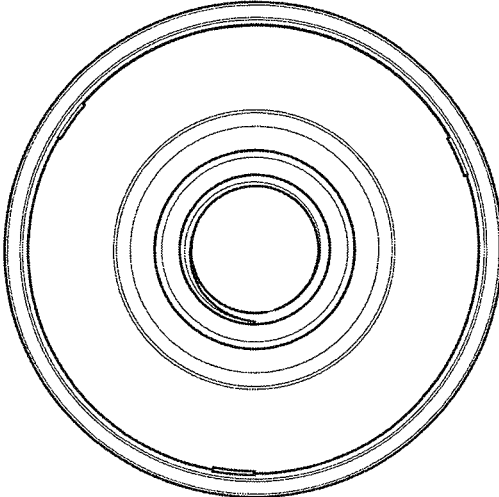


FIG. 6

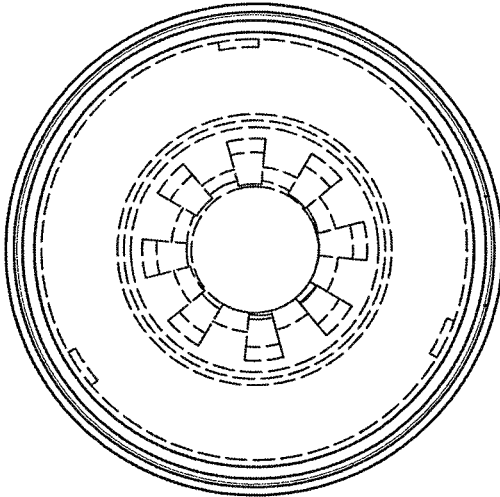


FIG. 7

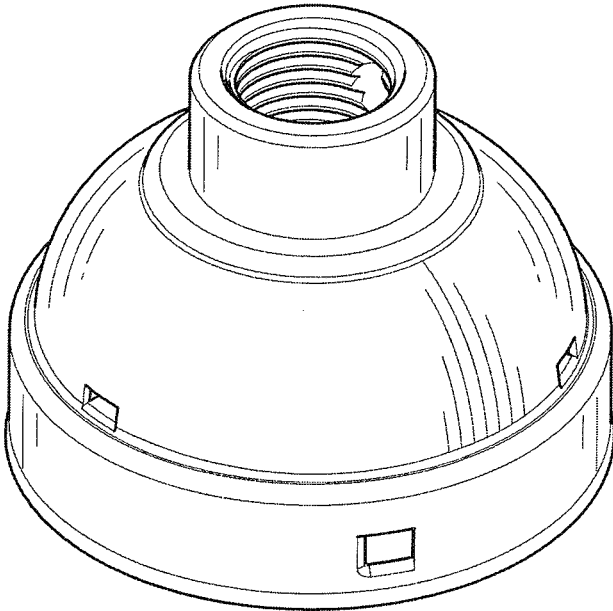


FIG. 8

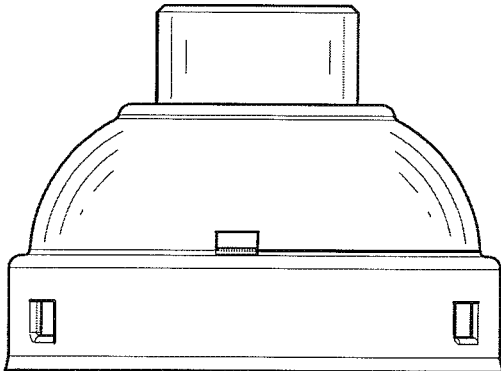


FIG. 9

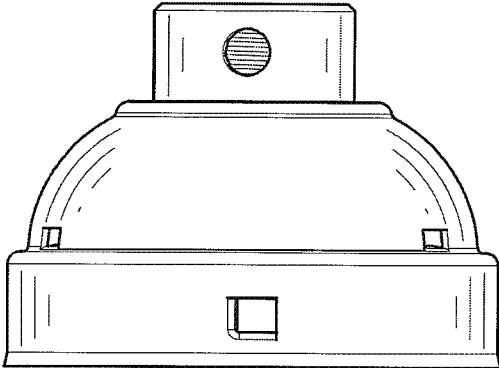


FIG. 10

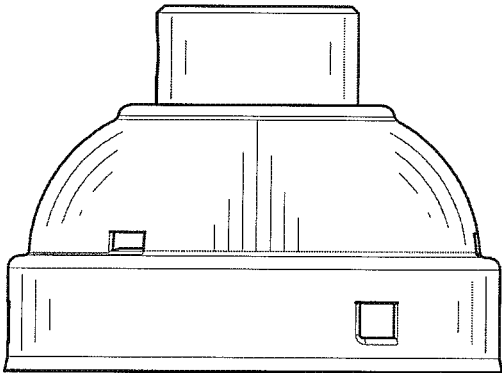


FIG. 11

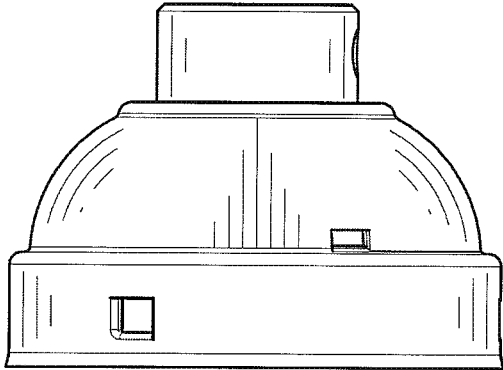


FIG. 12

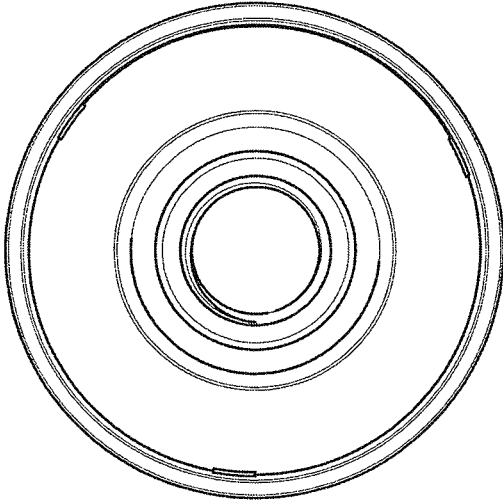


FIG. 13

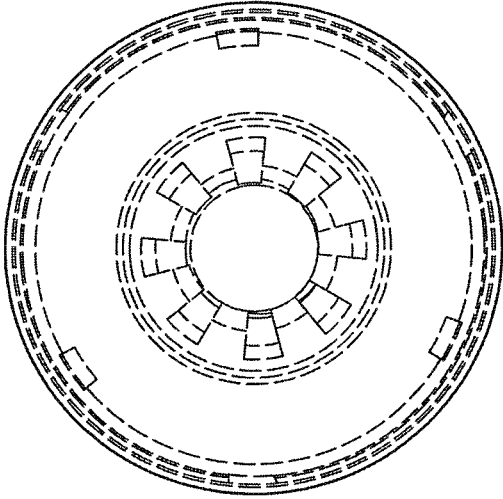


FIG. 14

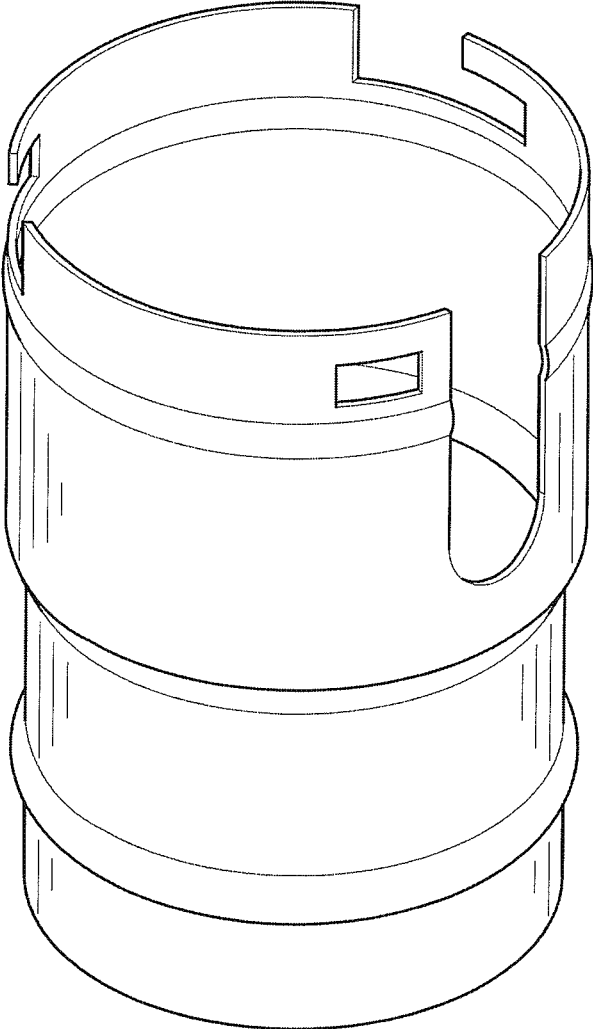


FIG. 15

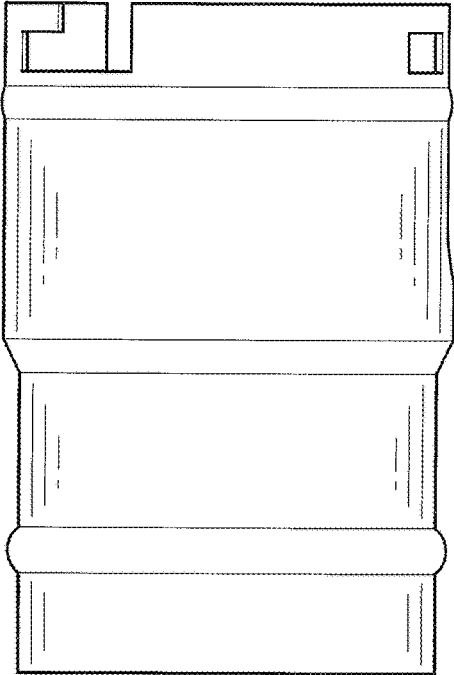


FIG. 16

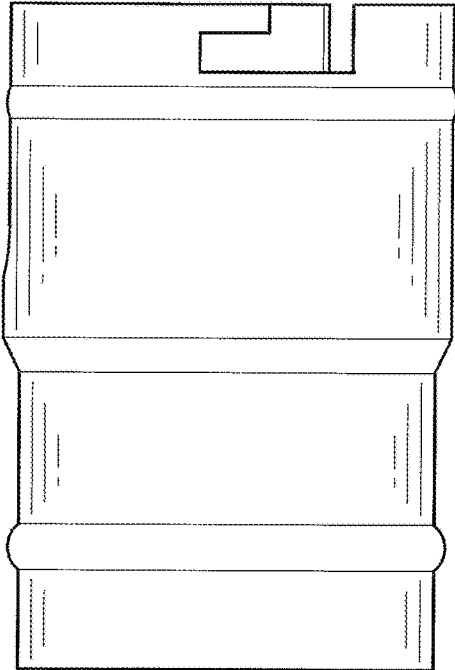


FIG. 17

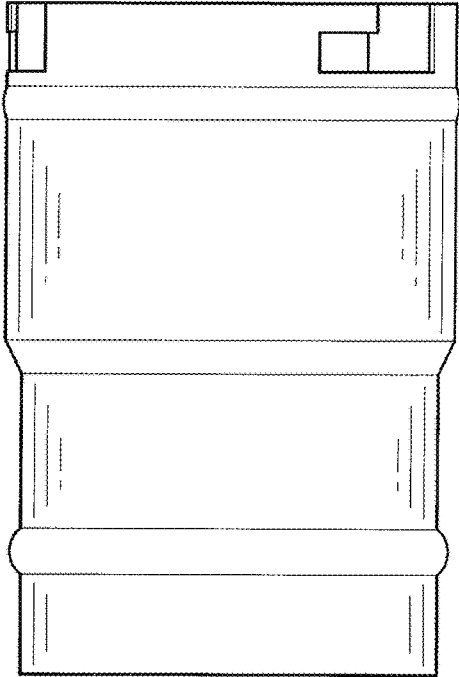


FIG. 18

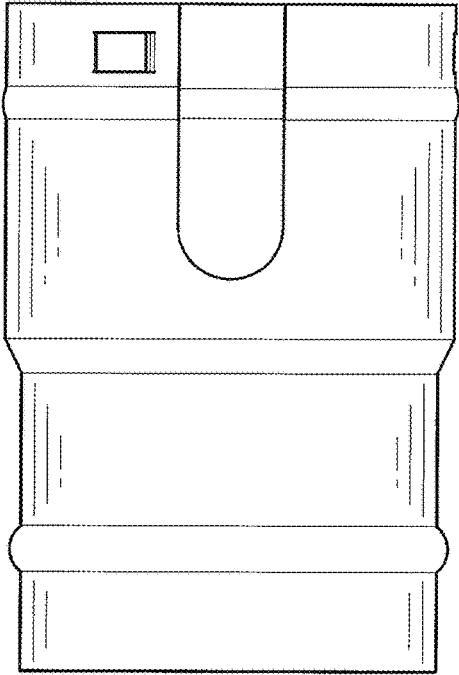


FIG. 19

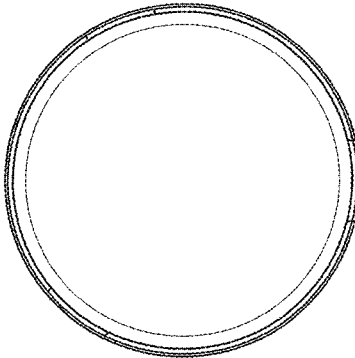


FIG. 20

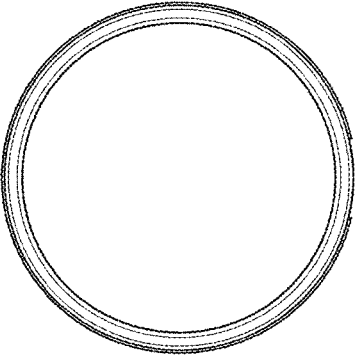


FIG. 21