



US00D401340S

**United States Patent** [19]  
**Waldman et al.**

[11] **Patent Number: Des. 401,340**  
[45] **Date of Patent: \*\*Nov. 17, 1998**

[54] **DERMATOME HANDLE**  
[75] Inventors: **Joel N. Waldman**, Fairway, Kans.;  
**James William Petersen**, Grain Valley,  
Mo.; **James Edward Petersen**,  
Shawnee Mission, Kans.

4,038,986 8/1977 Mahler .  
4,098,278 7/1978 Schwartz .  
4,270,540 6/1981 Schwartz .  
4,690,139 9/1987 Rosenberg .  
4,754,756 7/1988 Shelanski .  
4,838,284 6/1989 Shelanski .  
4,917,086 4/1990 Feltovich et al. .

[73] Assignee: **Padgett Instruments, Inc.**, Kansas  
City, Mo.

**OTHER PUBLICATIONS**

[\*\*] Term: **14 Years**

Zimmer Air Dermatome 2-sided brochure; Zimmer, Inc.  
(1988).

[21] Appl. No.: **62,237**

*Primary Examiner*—Pamela Burgess  
*Attorney, Agent, or Firm*—Hovey, Williams, Timmons &  
Collins

[22] Filed: **Nov. 12, 1996**

[51] **LOC (6) Cl.** ..... **24-02**

[57] **CLAIM**

[52] **U.S. Cl.** ..... **D24/146**

The ornamental design for a dermatome handle, as shown  
and described.

[58] **Field of Search** ..... D24/144, 146,  
D24/170, 133, 127-129; D8/80, 83, 94;  
D7/393, 395; 606/79-85, 131, 132, 133,  
167-172, 180, 41-47, 9, 13; 607/2; 30/223,  
280, 283

**DESCRIPTION**

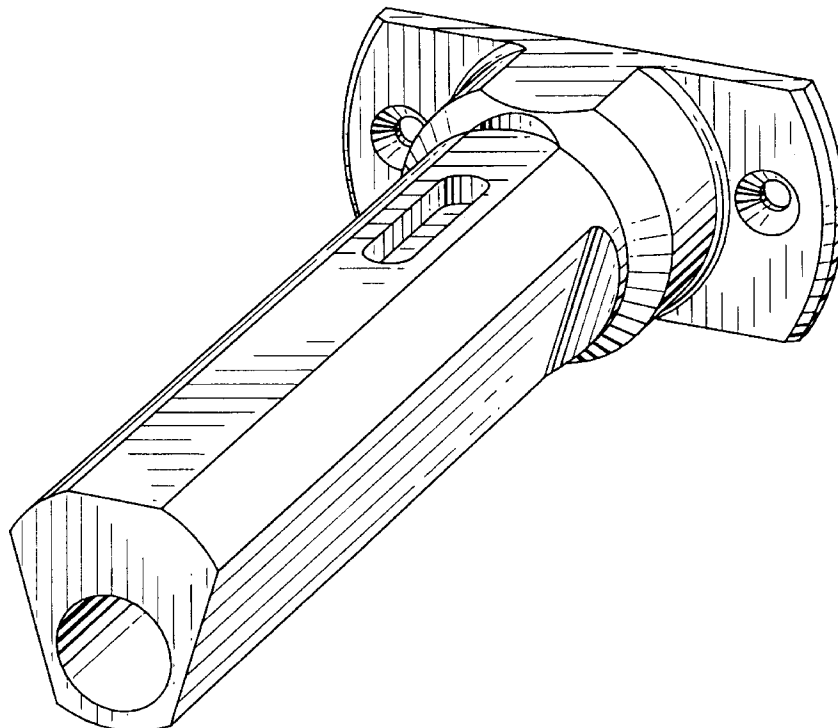
[56] **References Cited**

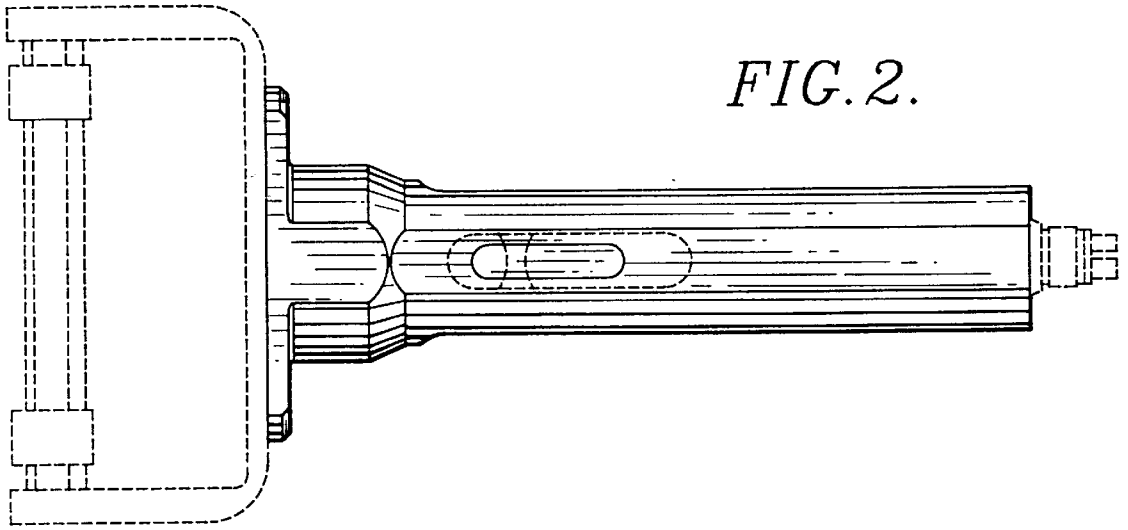
**U.S. PATENT DOCUMENTS**

D. 303,148	8/1989	Rexroth	.....	D24/146
D. 322,672	12/1991	Feltovich et al.	.	
D. 323,556	1/1992	Miyaguchi	.....	D24/147
D. 381,079	7/1997	Koepnick	.....	D24/146
3,327,711	6/1967	Vallis	.	
3,412,732	11/1968	Simon	.	
3,428,045	2/1969	Kratzsch et al.	.	
3,563,120	2/1971	Barinka et al.	.	
3,583,403	6/1971	Pohl et al.	.	
3,776,236	12/1973	Brent	.	
3,934,591	1/1976	Gleason	.	

FIG. 1 is a right side elevational view of a dermatome handle showing our new design, the broken lines illustrating environmental structure are for illustrative purposes only and form no part of the claimed design;  
FIG. 2 is a top plan view thereof, the broken lines illustrative environmental structure are for illustrative purposes only and form no part of the claimed design;  
FIG. 3 is a bottom plan view thereof;  
FIG. 4 is a front elevational view thereof;  
FIG. 5 is a rear elevational view thereof;  
FIG. 6 is an enlarged left, rear, top perspective view thereof; and,  
FIG. 7 is an enlarged right, front, lower perspective view thereof.

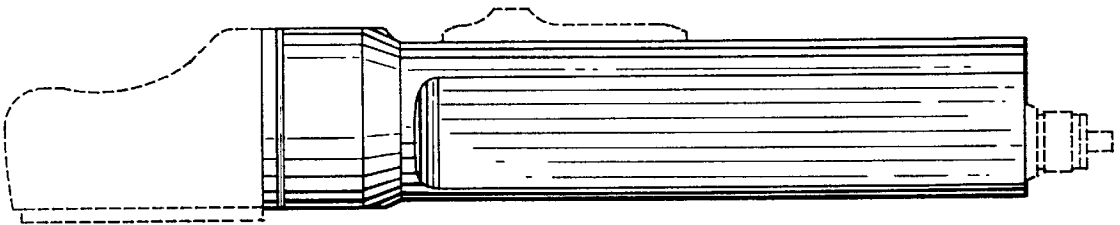
**1 Claim, 2 Drawing Sheets**



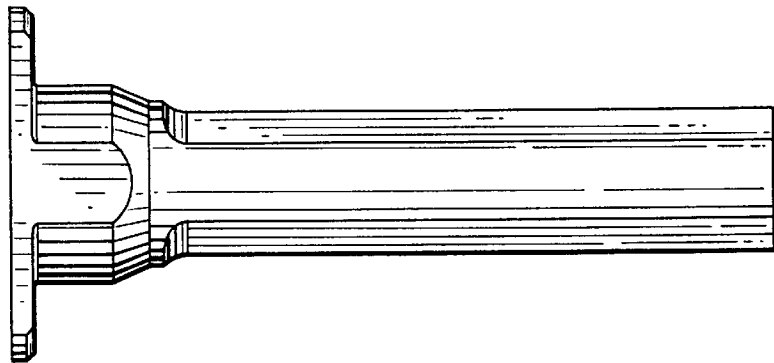


*FIG. 2.*

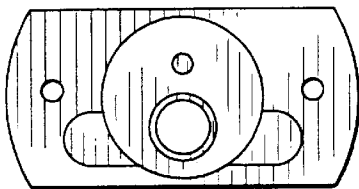
*FIG. 1.*



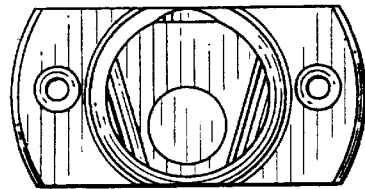
*FIG. 3.*



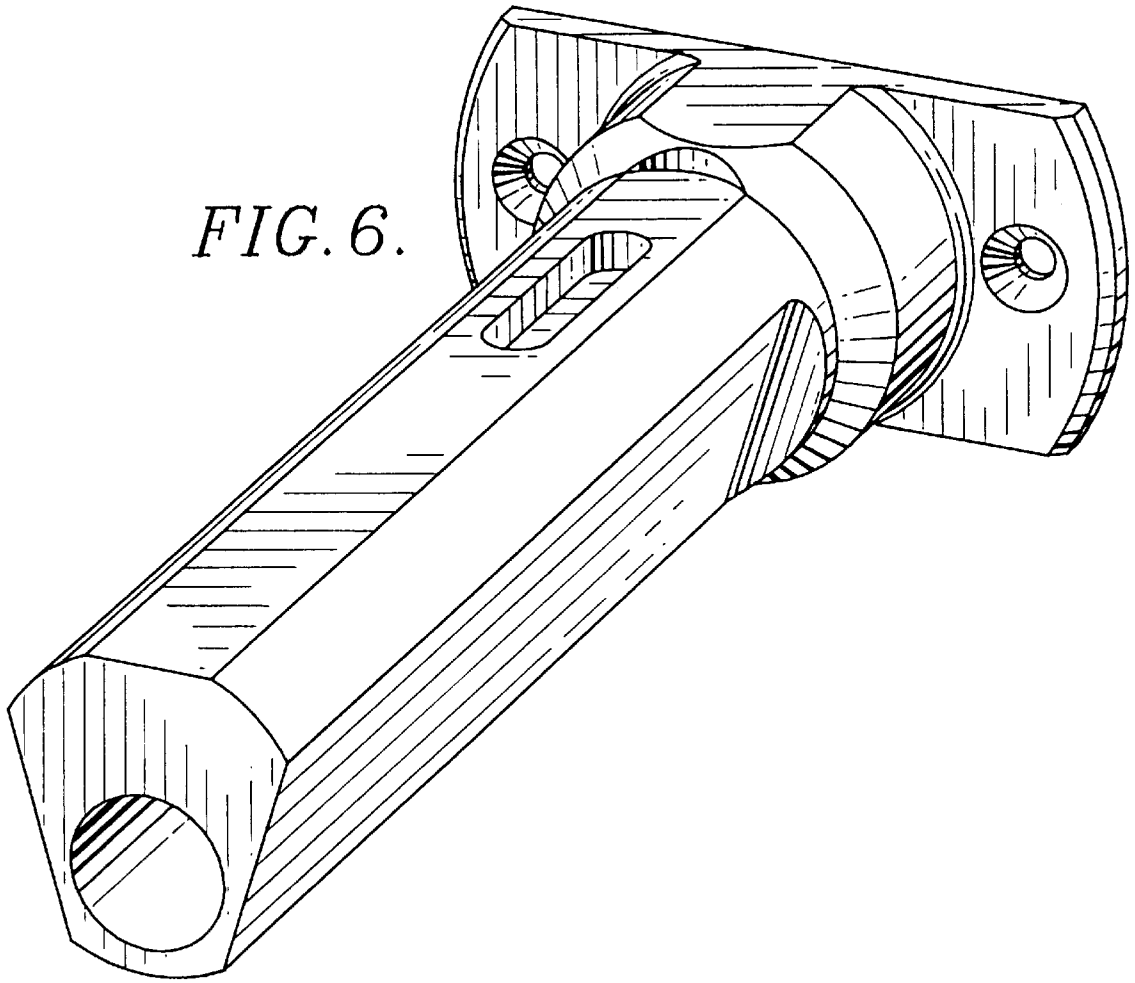
*FIG. 4.*



*FIG. 5.*



*FIG. 6.*



*FIG. 7.*

