



US00D926570S

(12) **United States Design Patent** (10) **Patent No.:** **US D926,570 S**
Engelbrecht et al. (45) **Date of Patent:** **** Aug. 3, 2021**

(54) **PACKAGE**

(71) Applicant: **TETRA LAVAL HOLDINGS & FINANCE S.A.**, Pully (CH)
(72) Inventors: **Anna Genowefa Engelbrecht**, Modena (IT); **Nicoletta Marangoni**, Lodi (IT); **Davide Morciano**, Modena (IT); **Giorgia Zanotti**, Capri (IT); **Carlo Forcellini**, Modena (IT); **Marcello Barbieri**, Modena (IT)
(73) Assignee: **TETRA LAVAL HOLDINGS & FINANCE S.A.**, Pully (CH)

(**) Term: **15 Years**
(21) Appl. No.: **35/508,024**
(22) Filed: **Mar. 8, 2019**

(80) **Hague Agreement Data**

Int. Filing Date: **Mar. 8, 2019**
Int. Reg. No.: **DM/204368**
Int. Reg. Date: **Mar. 8, 2019**
Int. Reg. Pub. Date: **Dec. 6, 2019**

(30) **Foreign Application Priority Data**

Sep. 10, 2018 (EM) 005635158

(51) **LOC (13) Cl.** **09-03**

(52) **U.S. Cl.**
USPC **D9/432; D9/431; D9/433**

(58) **Field of Classification Search**
USPC D9/434, 499, 414, 415, 430-433, 417, D9/429; D3/201, 202

(Continued)

(56) **References Cited**

U.S. PATENT DOCUMENTS

D518,371 S * 4/2006 Franic D9/417
D540,164 S * 4/2007 Franic D9/434

(Continued)

OTHER PUBLICATIONS

Packaging Europe. Tetra Pak Launches New Packaging Material Effects to Help Brands Attract Shoppers' Attention. Oct. 4, 2018. <https://packagingeurope.com/tetra-pak-launch-artistry-packaging-material-effects-shelf-impact/> (Year: 2018).*

(Continued)

Primary Examiner — Darcey E Gottschalk
(74) *Attorney, Agent, or Firm* — Leason Ellis LLP

(57) **CLAIM**

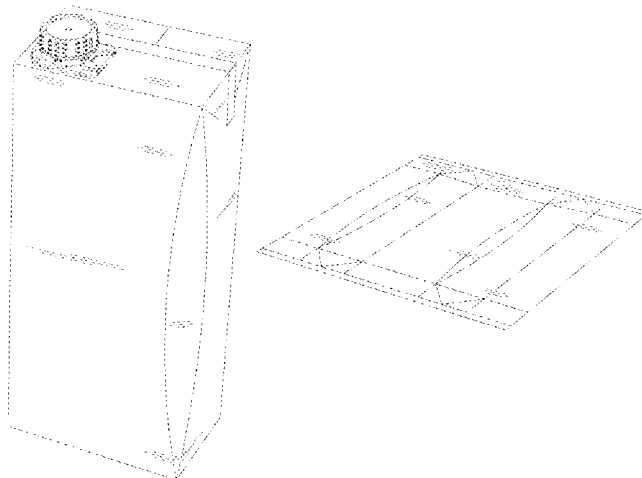
The ornamental design for a package, as shown and described.

DESCRIPTION

- 1. Package
- 2. Package
- 1.1 : Perspective view
- 1.2 : Front view
- 1.3 : Rear view
- 1.4 : First side view
- 1.5 : Second side view
- 1.6 : Top view
- 1.7 : Bottom view
- 2.1 : Perspective view
- 2.2 : Front view
- 2.3 : Rear view
- 2.4 : First side view
- 2.5 : Second side view
- 2.6 : Top view
- 2.7 : Bottom view

The broken lines in the drawings illustrate portions of the package that form no part of the claimed design. The package illustrated in reproductions 2.1-2.7 in unfolded or collapsed form corresponds directly to the package illustrated in reproductions 1.1-1.7.

1 Claim, 14 Drawing Sheets



- (58) **Field of Classification Search**
 CPC B65D 5/00; B65D 5/0209; B65D 5/029;
 B65D 5/40; B65D 5/72; B65D 5/727
 See application file for complete search history.

2017/0253365 A1* 9/2017 Barbieri B65D 5/067
 2019/0077527 A1* 3/2019 De Pietri Tonelli
 B65B 59/003
 2019/0084708 A1* 3/2019 Barbieri B65B 9/2049

(56) **References Cited**

U.S. PATENT DOCUMENTS

D589,791 S * 4/2009 Kalberer D9/432
 D605,506 S * 12/2009 Franic D9/433
 D629,295 S * 12/2010 Franic D9/433
 D657,239 S * 4/2012 Gavrilencov D9/432
 D676,742 S * 2/2013 Walter D9/434
 D677,565 S * 3/2013 Barbieri D9/431
 D691,882 S * 10/2013 Barbieri D9/430
 D717,647 S * 11/2014 De Pietri Tonelli D9/433
 D720,214 S * 12/2014 De Pietri Tonelli D9/433
 D721,576 S * 1/2015 De Pietri Tonelli D9/431
 D733,556 S * 7/2015 De Pietri Tonelli D9/431
 D764,283 S * 8/2016 Mohn D9/432
 D764,284 S * 8/2016 Mohn D9/432
 9,487,324 B2* 11/2016 Benko B65D 5/748
 D826,042 S * 8/2018 Jacobsson D9/433
 D835,987 S * 12/2018 Moroni D9/432
 D837,050 S * 1/2019 Moroni D9/432
 D842,088 S * 3/2019 Hoekstra D9/414
 D852,620 S * 7/2019 D'Alfonso D9/430
 D854,813 S * 7/2019 Urmston D3/202
 D860,782 S * 9/2019 Luik D9/432
 10,414,535 B2* 9/2019 Barbieri B65D 5/067
 D881,693 S * 4/2020 Lauritzen D9/431
 D881,698 S * 4/2020 Jacobsson D9/431
 D889,958 S * 7/2020 Luik D9/431
 2012/0279182 A1* 11/2012 Barbieri B65D 5/4266
 53/456
 2016/0325872 A1* 11/2016 Barbieri B65D 5/4266

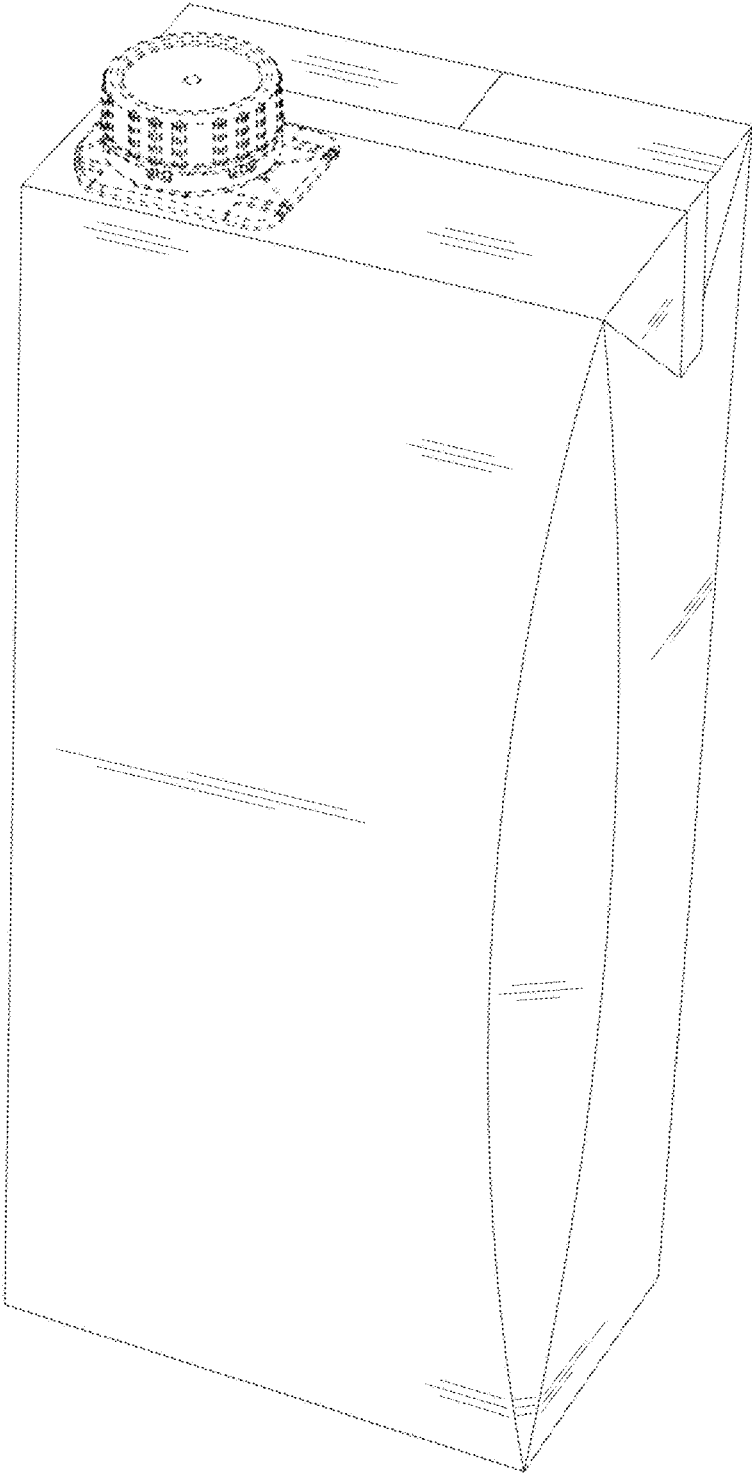
OTHER PUBLICATIONS

Edie. Tetra Pak partners with Veolia to improve recyclability of beverage carton components. Nov. 21, 2018. https://www.edie.net/news/5/Tetra-Pak-partners-with-Veolia-in-bid-to-recycle-all-beverage-carton-components--- (Year: 2018).*

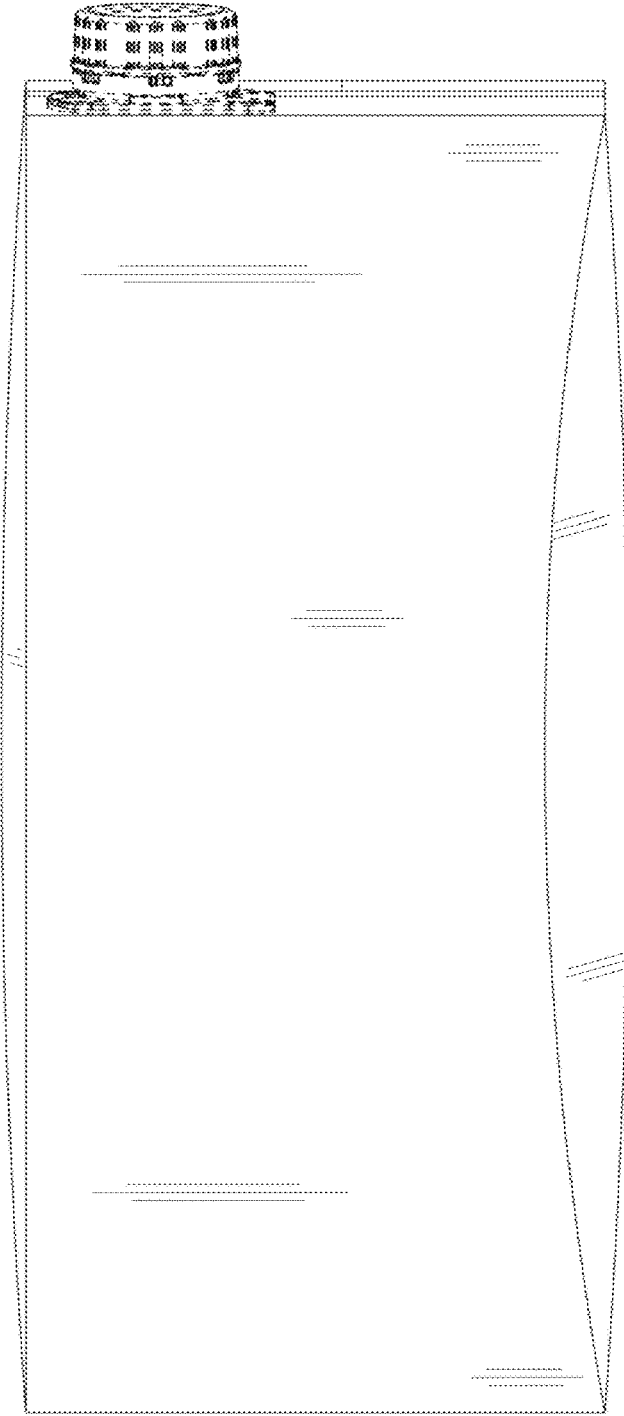
Carrefour, Pineapple Orange Carrot Drink Container, 2011, 1 page.
 Morinaga, Lipton Tea Container, 1 page.
 Sterilgarda Aliment!, Containers, 1 page.
 JPO, "Notification of Refusal," issued in connection with Application No. 2019-501306, dated Sep. 25, 2020, 11 pages.
 JPO, "Notification of Refusal," issued in connection with Application No. 2019-501307, dated Sep. 25, 2020, 11 pages.
 JPO, "Notification of Refusal," issued in connection with Application No. 2019-501308, dated Sep. 25, 2020, 13 pages.
 JPO, "Notification of Refusal," issued in connection with Application No. 2019-501309, dated Sep. 25, 2020, 13 pages.
 JPO, "Notification of Refusal," issued in connection with Application No. 2019-501310, dated Sep. 25, 2020, 13 pages.
 JPO, "Notification of Refusal," issued in connection with Application No. 2019-501311, dated Sep. 25, 2020, 13 pages.
 JPO, "Notification of Refusal," issued in connection with Application No. 2019-501312, dated Sep. 25, 2020, 13 pages.
 JPO, "Notification of Refusal," issued in connection with Application No. 2019-501313, dated Sep. 25, 2020, 11 pages.
 JPO, "Notification of Refusal," issued in connection with Application No. 2019-501314, dated Sep. 25, 2020, 11 pages.

* cited by examiner

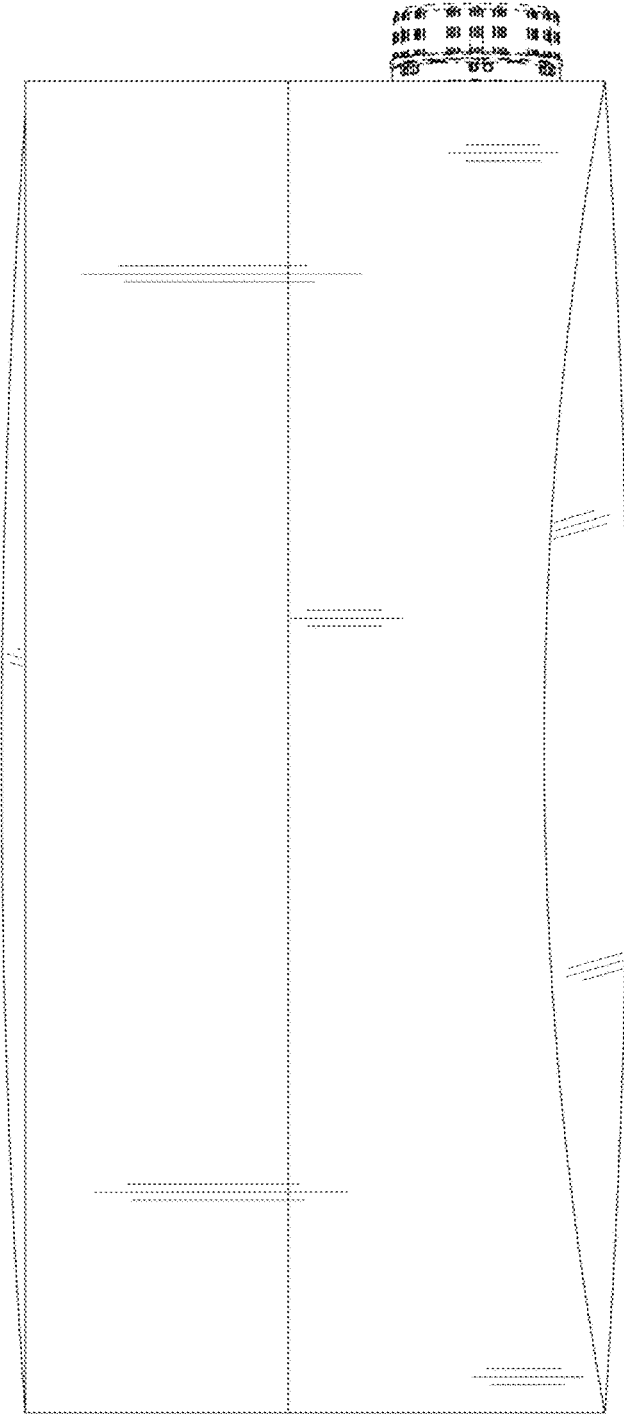
1.1



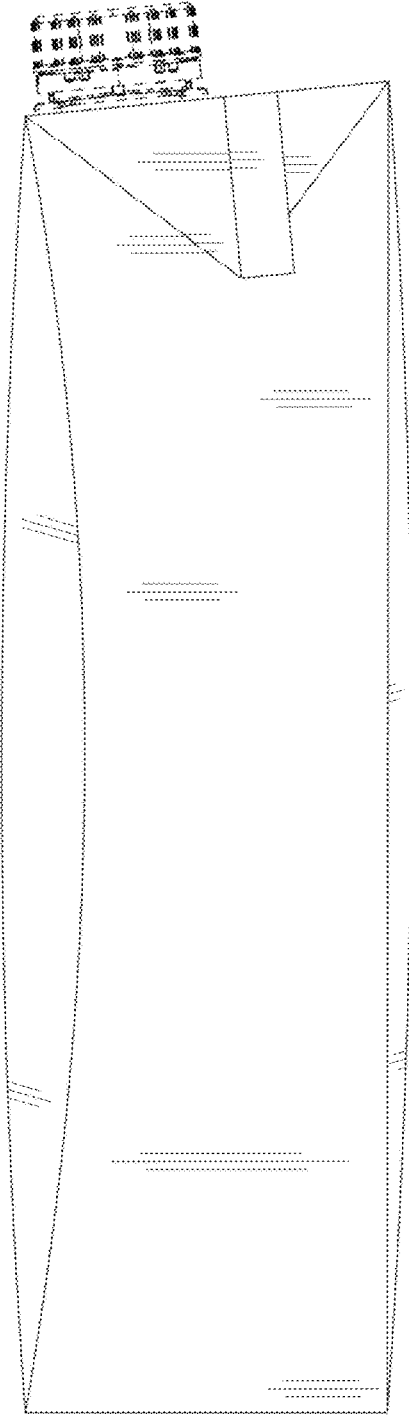
1.2



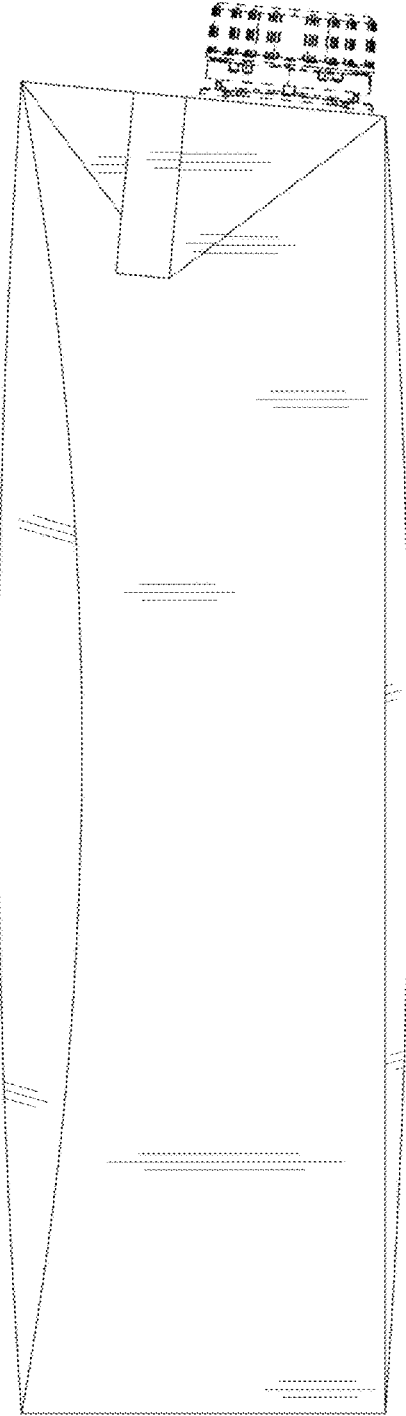
1.3



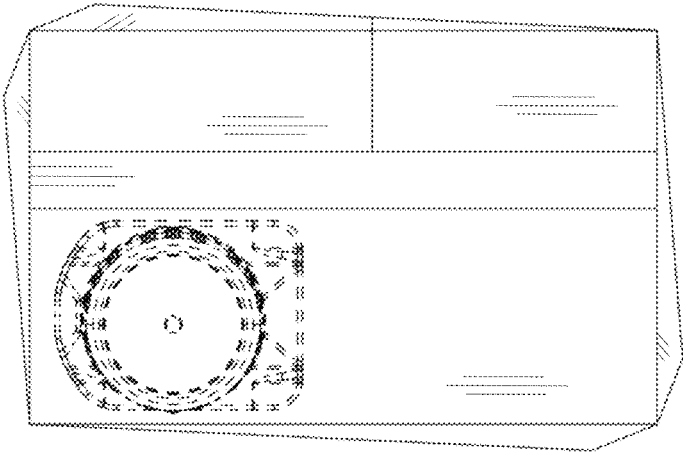
1.4



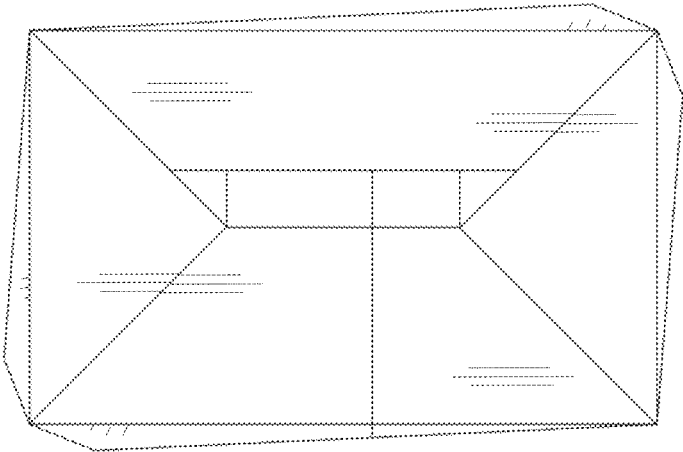
1.5



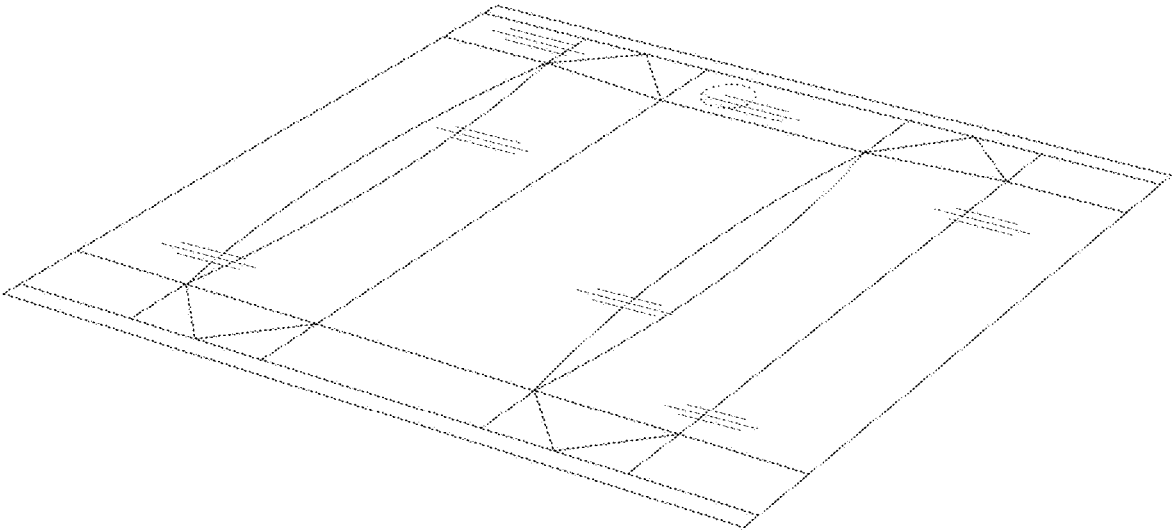
1.6



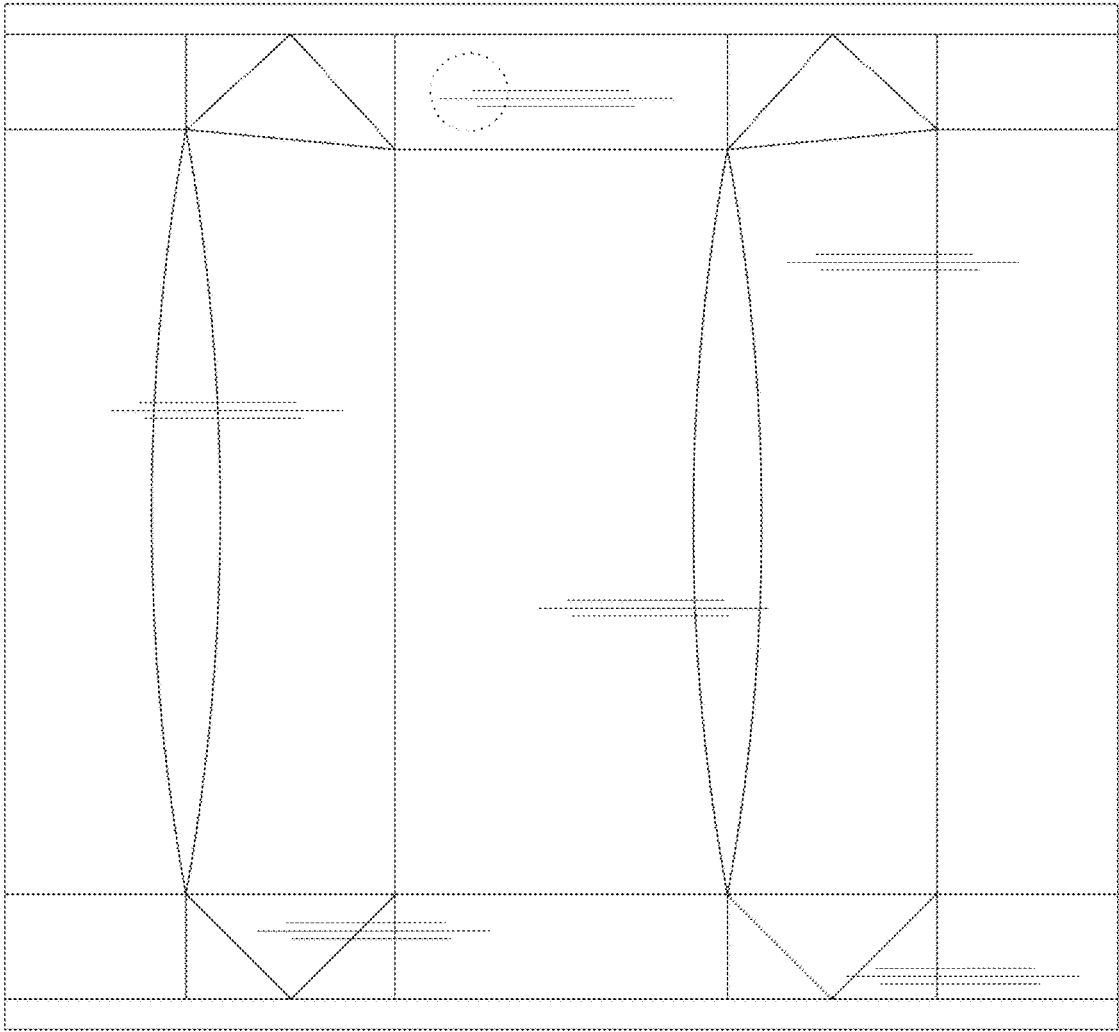
1.7



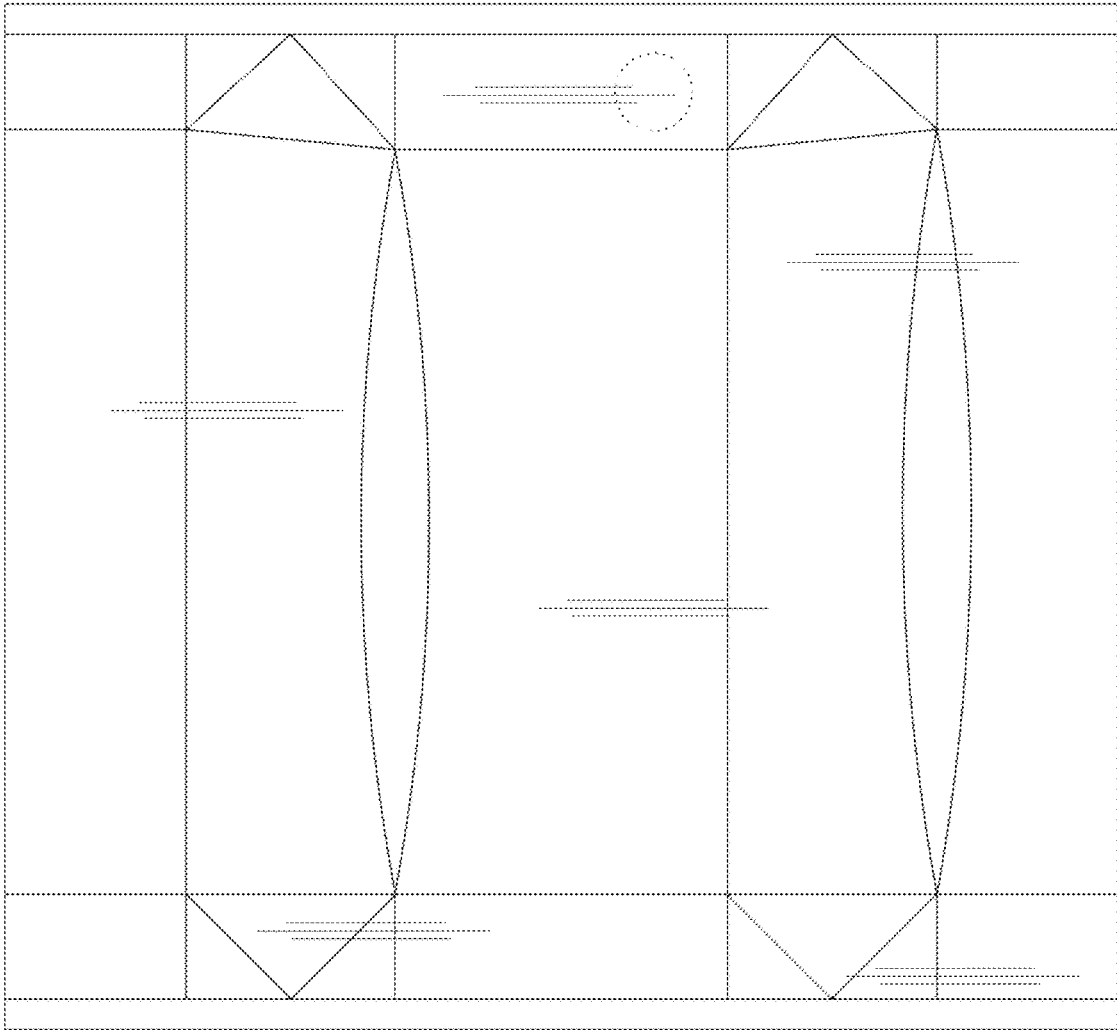
2.1



2.2



2.3



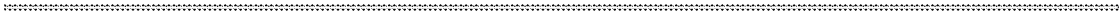
2.4



2.5



2.6



2.7

