

[54] DESK UTENSIL HOLDER

[75] Inventor: Mel Evenson, San Pedro, Calif.  
[73] Assignee: Eldon Industries, Inc., Inglewood, Calif.  
[\*\*] Term: 14 Years

[21] Appl. No.: 741,454

[22] Filed: Jun. 5, 1985

[52] U.S. Cl. .... D19/77; D6/476;  
D19/78;85

[58] Field of Search ..... D19/75, 78-85,  
D19/90; 211/69.1; D3/20; D7/2; D11/143,  
146, 147; D6/476, 416; 206/214

[56] References Cited

U.S. PATENT DOCUMENTS

D. 161,749 1/1951 Griner ..... D11/146  
D. 245,368 8/1977 Mueller ..... D11/147  
D. 288,939 3/1987 Boon ..... D19/78

OTHER PUBLICATIONS

Highsmith cat. 26A, 1984, p. 74, Item: Desk Mate Organizer A18-297.  
Better Homes & Gardens, 3/73, p. 187, top right.

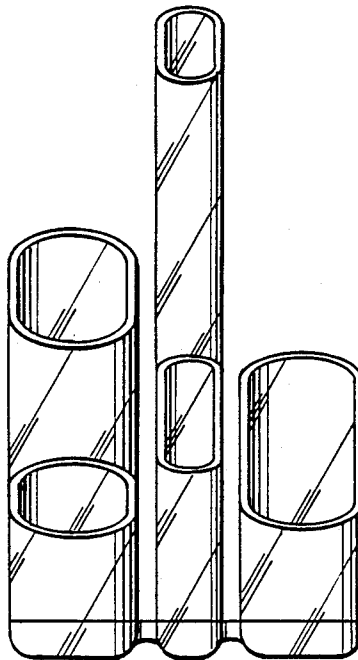
Primary Examiner—George P. Word  
Attorney, Agent, or Firm—Edward D. O'Brian

[57] CLAIM

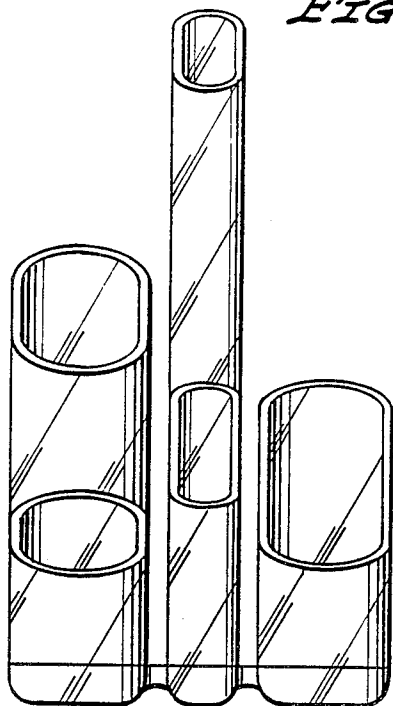
The ornamental design for a desk utensil holder, substantially as shown and described.

DESCRIPTION

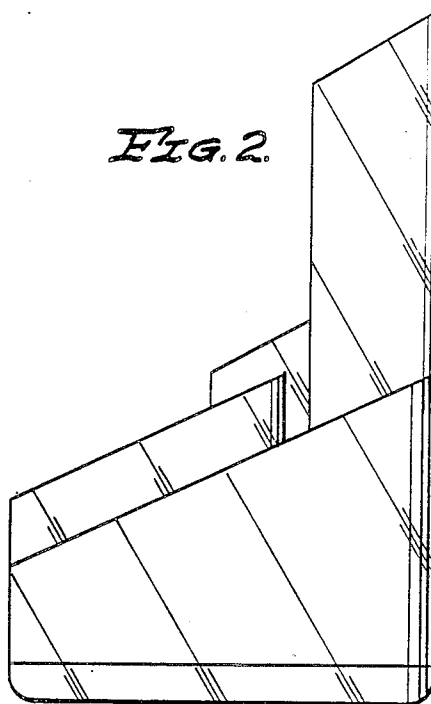
FIG. 1 is a front elevational view of a desk utensil holder showing my new design;  
FIG. 2 is a right side elevational view thereof;  
FIG. 3 is a rear elevational view thereof;  
FIG. 4 is a left side elevational view thereof;  
FIG. 5 is a top plan view thereof;  
FIG. 6 is a bottom plan view thereof;  
FIG. 7 is a perspective view showing the front, top and right side thereof.



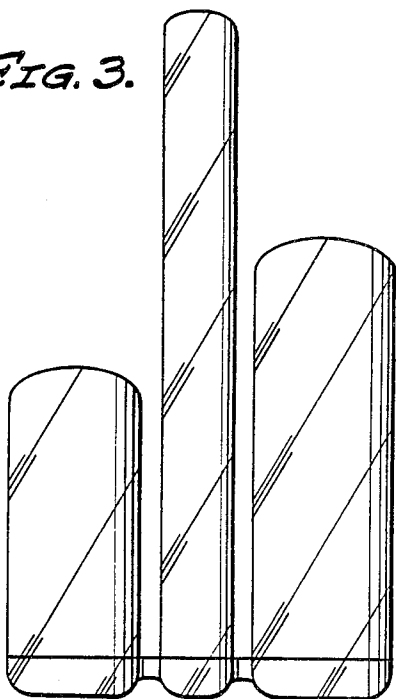
*FIG. 1.*



*FIG. 2.*



*FIG. 3.*



*FIG. 4.*

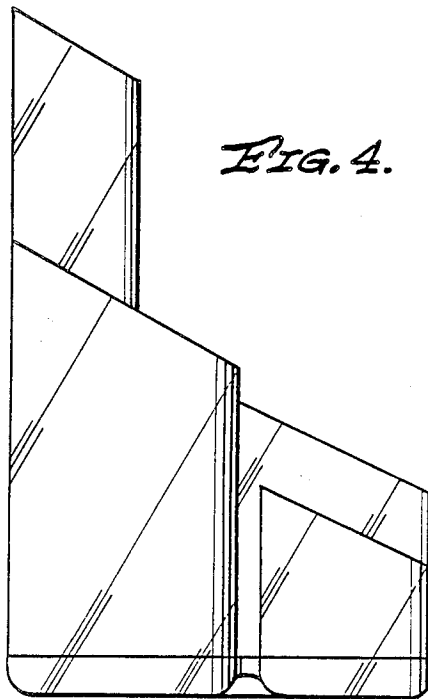


FIG. 5.

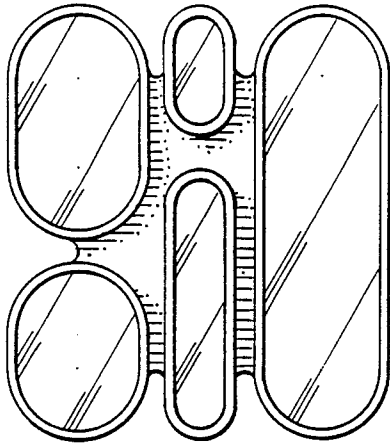


FIG. 6.

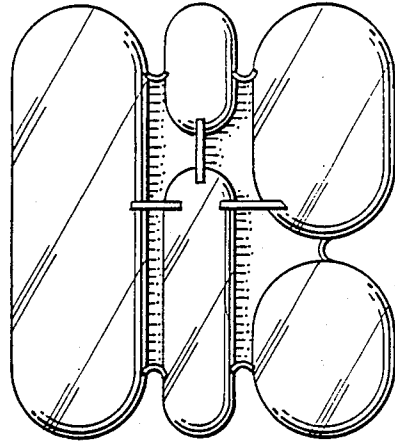


FIG. 7.

