



US00D637132S

(12) **United States Design Patent**  
**Kim**

(10) **Patent No.:** **US D637,132 S**

(45) **Date of Patent:** **\*\* May 3, 2011**

(54) **WIPER FOR AUTOMOBILES**

(75) Inventor: **In-Kyu Kim**, Ansan-si (KR)

(73) Assignees: **ADM21 Co., Ltd.**, Gyeonggi-do (KR);  
**In-Kyu Kim**, Gyeonggi-do (KR)

(\*\*) Term: **14 Years**

(21) Appl. No.: **29/368,376**

(22) Filed: **Aug. 23, 2010**

(30) **Foreign Application Priority Data**

May 31, 2010 (KR) ..... 30-2010-0023910

(51) **LOC (9) Cl.** ..... **12-06**

(52) **U.S. Cl.** ..... **D12/219**

(58) **Field of Classification Search** ..... D12/219-220;  
15/246, 247, 250.001, 250.4, 250.361, 250.19,  
15/250.03, 250.31-250.33, 250.351, 250.38,  
15/250.201, 250.451, 250.458, 250.04, 250.07,  
15/250.44

See application file for complete search history.

(56) **References Cited**

**U.S. PATENT DOCUMENTS**

D494,125 S \* 8/2004 Leu ..... D12/219  
D494,527 S \* 8/2004 Hsu ..... D12/219  
D579,401 S \* 10/2008 Garrastacho et al. .... D12/219

D579,849 S \* 11/2008 Garrastacho et al. .... D12/219  
D596,103 S \* 7/2009 Kim ..... D12/219  
D601,077 S \* 9/2009 Kim ..... D12/219  
D615,474 S \* 5/2010 Kim ..... D12/219  
2005/0183227 A1\* 8/2005 Hienzsch ..... 15/250.07  
2006/0010636 A1\* 1/2006 Vacher ..... 15/250.32  
2007/0192983 A1\* 8/2007 Chen ..... 15/250.001  
2008/0060161 A1\* 3/2008 Boland et al. .... 15/250.351  
2008/0313844 A1\* 12/2008 Nacamuli ..... 15/250.351  
2010/0275403 A1\* 11/2010 Jollec ..... 15/250.361

\* cited by examiner

*Primary Examiner* — Caron Veynar

*Assistant Examiner* — Katrina A Kile

(74) *Attorney, Agent, or Firm* — Sughrue Mion, PLLC

(57) **CLAIM**

The ornamental design for wiper for automobiles, as shown.

**DESCRIPTION**

FIG. 1 is a perspective view of wiper for automobiles showing my new design;  
FIG. 2 is a front view thereof;  
FIG. 3 is a rear view thereof;  
FIG. 4 is an enlarged left side view thereof;  
FIG. 5 is an enlarged right side view thereof;  
FIG. 6 is a top plan view thereof;  
FIG. 7 is a bottom plan view thereof; and,  
FIG. 8 is an enlarged fragmentary view of the encircled portion labeled as "8" in FIG. 1.

**1 Claim, 6 Drawing Sheets**

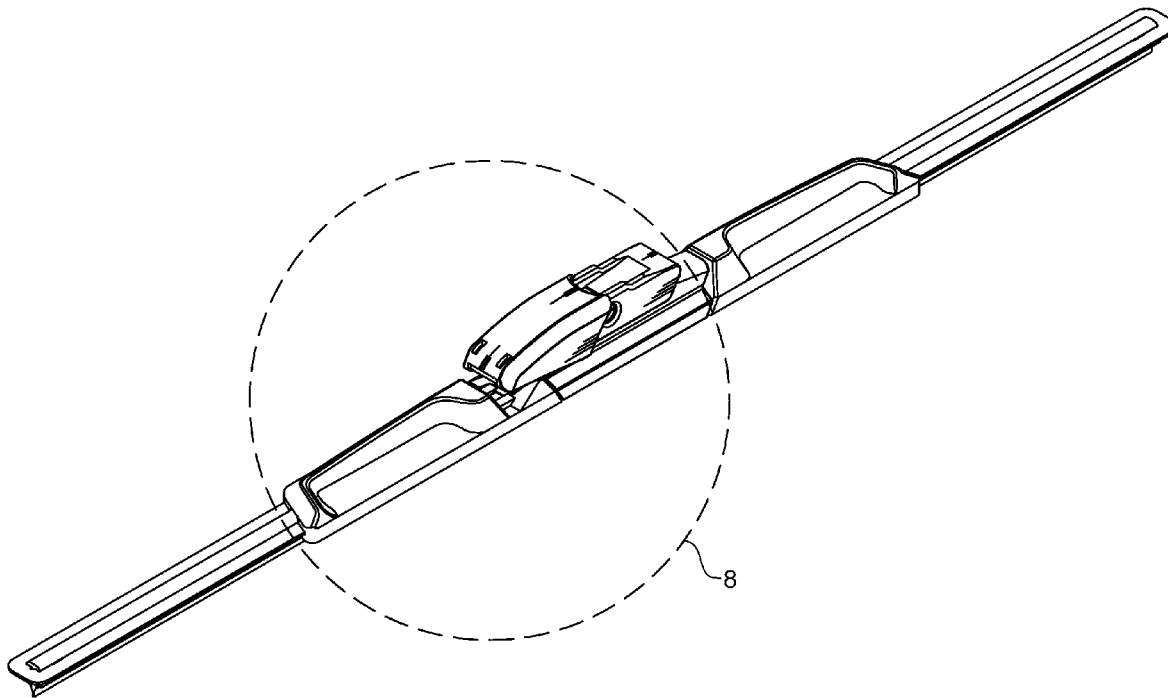
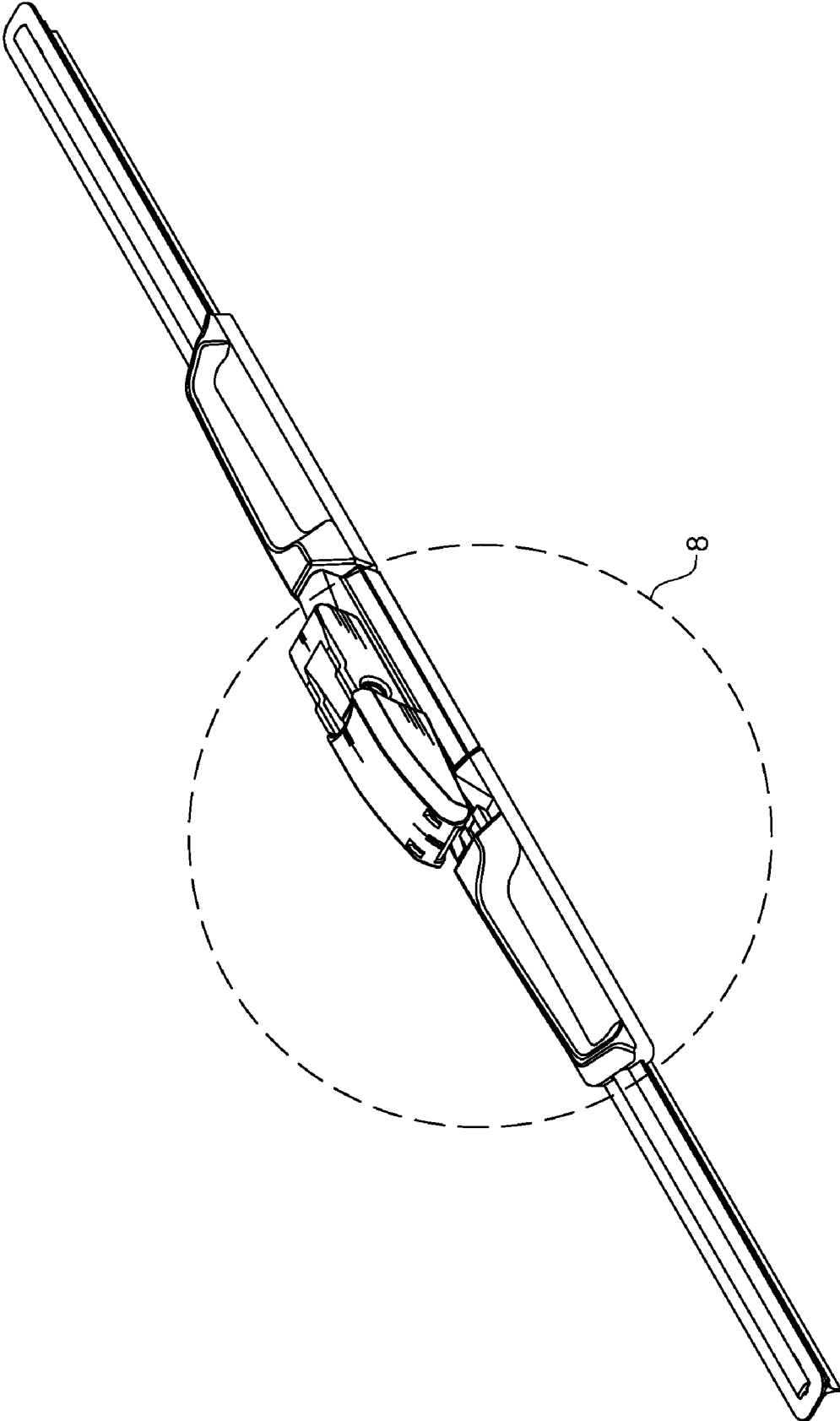


FIG. 1



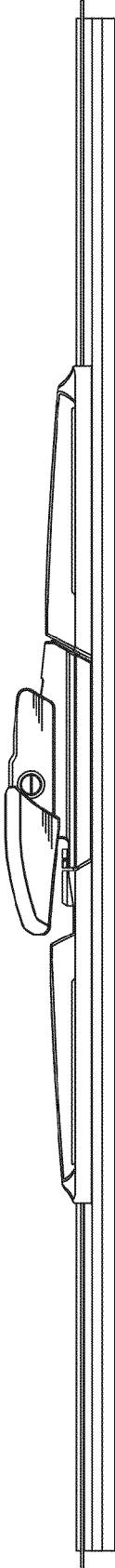


FIG 2

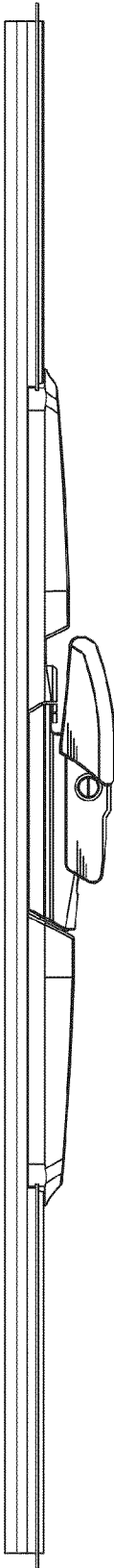


FIG 3

FIG 4

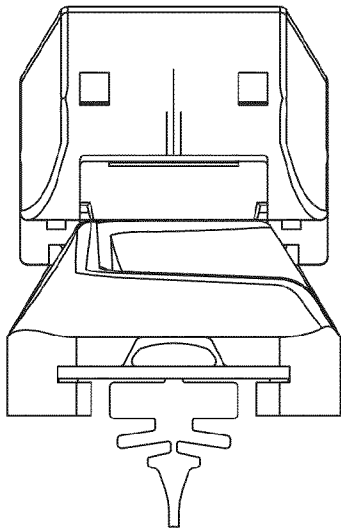
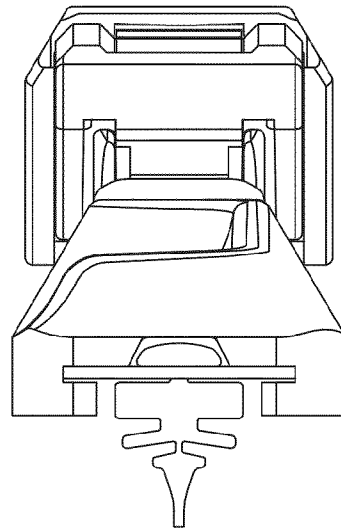


FIG 5



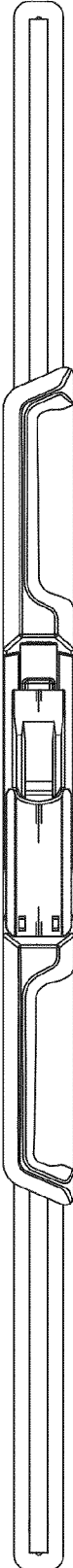


FIG 6

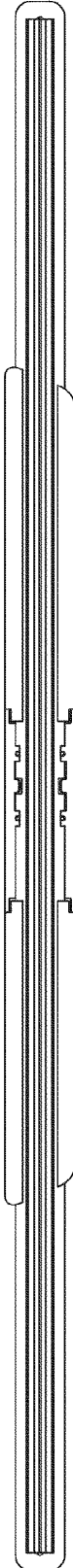


FIG 7

FIG 8

