



US00D968990S

(12) **United States Design Patent**
Li et al.

(10) **Patent No.:** **US D968,990 S**

(45) **Date of Patent:** **** Nov. 8, 2022**

(54) **FACE RECOGNITION MACHINE**
(71) Applicant: **SHENZHEN SENSETIME TECHNOLOGY CO., LTD.**, Shenzhen (CN)
(72) Inventors: **Cheng Li**, Shenzhen (CN); **Junqiang Li**, Shenzhen (CN); **Wanzhi Li**, Shenzhen (CN); **Peicai Lin**, Shenzhen (CN)
(73) Assignee: **SHENZHEN SENSETIME TECHNOLOGY CO., LTD.**, Guangdong (CN)

FOREIGN PATENT DOCUMENTS

CN 304698674 S 6/2018
CN 304869265 S 10/2018

(Continued)

OTHER PUBLICATIONS

“Applying facial recognition machine to student attendance”, <https://smartid.com.vn/ap-dung-may-nhan-dang-khuon-mat-vao-diem-danh-hoc-sinh-sinh-vien.html>, Aug. 14, 2019.

(Continued)

(**) Term: **15 Years**
(21) Appl. No.: **29/743,927**
(22) Filed: **Jul. 24, 2020**

Primary Examiner — George D. Kirschbaum
Assistant Examiner — Lillian Windham
(74) *Attorney, Agent, or Firm* — Polson Intellectual Property Law, PC; Margaret Polson

(30) **Foreign Application Priority Data**

Mar. 26, 2020 (CN) 202030108355.9

(51) **LOC (13) Cl.** **10-05**

(52) **U.S. Cl.**
USPC **D10/104.1**

(58) **Field of Classification Search**
USPC D10/46, 49, 104.1, 106.1, 106.95, 108, D10/118.2; D6/310; D14/341, 371, 374, D14/375, 383, 384; D16/214, 215
CPC H01Q 1/24; G06F 21/36; G06F 3/147; G06V 10/147; G06V 40/172; G06V 20/52; G06V 40/166; G06K 7/10366; G06K 9/6215; G06K 7/10386; G06K 7/10346; G06N 3/06

See application file for complete search history.

(56) **References Cited**

U.S. PATENT DOCUMENTS

D312,829 S * 12/1990 Kuroki D16/214
D448,029 S * 9/2001 Baek D14/374
D469,090 S * 1/2003 Tsuji D14/374
D486,825 S * 2/2004 Shiota D14/374

(Continued)

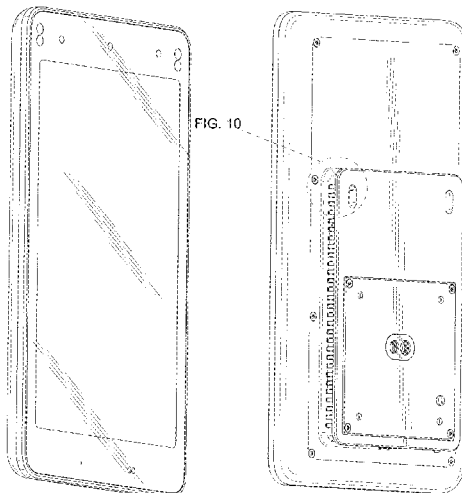
(57) **CLAIM**

The ornamental design for a face recognition machine, as shown and described.

DESCRIPTION

FIG. 1 is a front view of a face recognition machine showing the new design;
FIG. 2 is a back view thereof;
FIG. 3 is a left side view thereof;
FIG. 4 is a right side view thereof;
FIG. 5 is a top view thereof;
FIG. 6 is a bottom view thereof;
FIG. 7 is a front, left side perspective view thereof;
FIG. 8 is a back, right side perspective view thereof;
FIG. 9 is a partial enlarged view of FIG. 6; and,
FIG. 10 is a partial enlarged view of FIG. 8.
The broken lines shown in the drawings form no part of the claimed design.

1 Claim, 10 Drawing Sheets



(56)

References Cited

U.S. PATENT DOCUMENTS

D601,562 S * 10/2009 Chiu D14/371
 D604,735 S * 11/2009 Hirasawa D14/375
 D661,211 S * 6/2012 Hou D10/104.1
 D669,380 S * 10/2012 Kong D10/104.1
 8,600,120 B2 * 12/2013 Gonion G06K 9/6253
 382/209
 D704,709 S * 5/2014 Bussoli D14/375
 D739,464 S * 9/2015 Liu D14/374
 9,189,611 B2 * 11/2015 Wässingbo H04N 21/4532
 D744,433 S * 12/2015 Baumgartner D10/49
 D766,899 S * 9/2016 Kim D14/374
 D769,240 S * 10/2016 Yu D14/371
 D794,630 S * 8/2017 Pendse D14/341
 D838,618 S 1/2019 Nagaki et al.
 D843,857 S * 3/2019 Avranches D10/49
 D844,464 S * 4/2019 Avranches D10/49
 D844,465 S * 4/2019 Avranches D10/49
 D876,431 S * 2/2020 Pendse D14/341
 D876,974 S * 3/2020 Nagaki D10/104.1
 D883,981 S * 5/2020 Zhan D14/384
 D883,982 S * 5/2020 Zhan D14/384
 D900,807 S * 11/2020 Nishizawa D14/341
 D921,509 S * 6/2021 Wang D10/108

D942,161 S * 2/2022 Vilcovsky D6/310
 D943,542 S * 2/2022 Albertson D14/341
 2013/0129145 A1 * 5/2013 Ye G06V 40/16
 382/103
 2013/0286161 A1 * 10/2013 Lv G06V 20/64
 348/46
 2018/0316890 A1 * 11/2018 Farrell G06V 40/70
 2019/0073521 A1 * 3/2019 Hsu G06V 40/167
 2020/0184197 A1 * 6/2020 Beaudet H04N 5/2354
 2020/0218887 A1 * 7/2020 He G06V 40/45
 2021/0326575 A1 * 10/2021 Wang H01Q 1/24

FOREIGN PATENT DOCUMENTS

CN 305459261 S 11/2019
 CN 305485411 S 12/2019
 CN 305595722 S 2/2020
 KR 30-0757541 S 8/2014
 KR 30-0812171 S 8/2015

OTHER PUBLICATIONS

First Office Action of the Vietnamese application No. 3-2020-01782, dated Sep. 29, 2021.

* cited by examiner

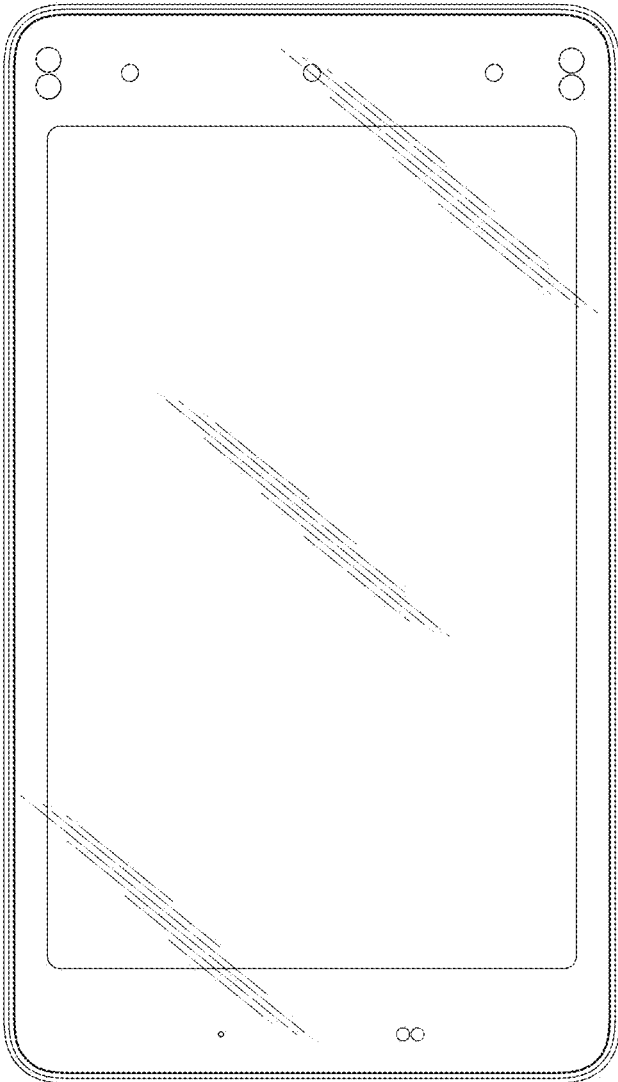


FIG. 1

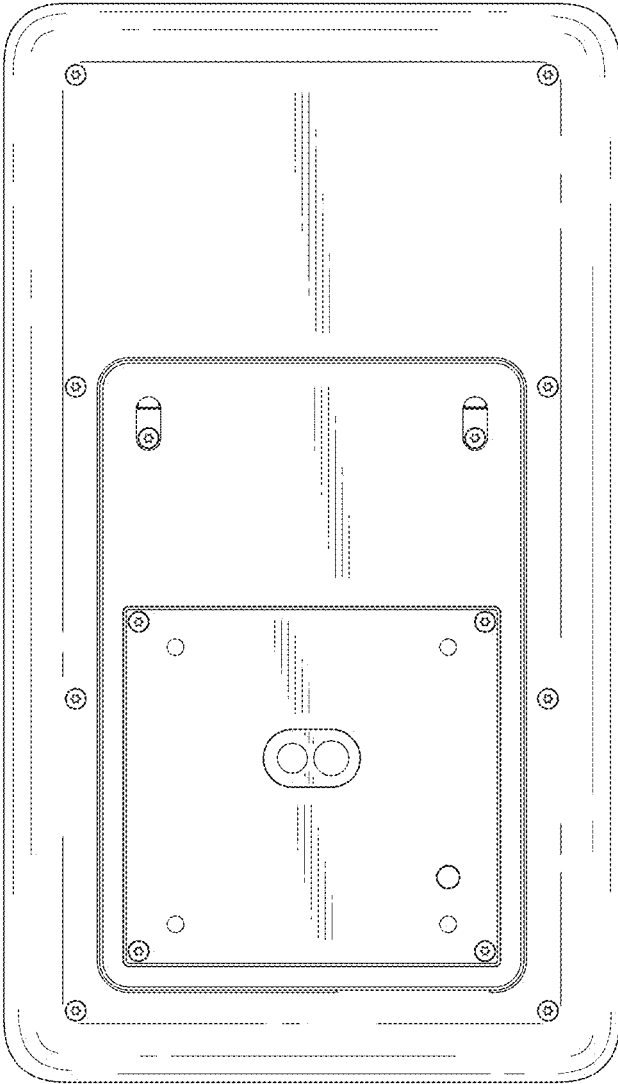


FIG. 2

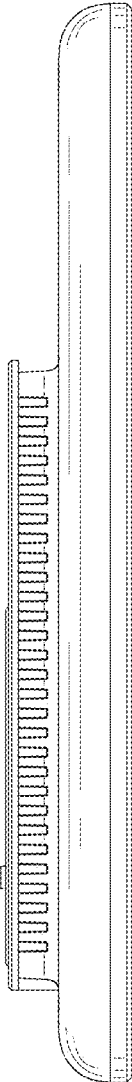


FIG. 3

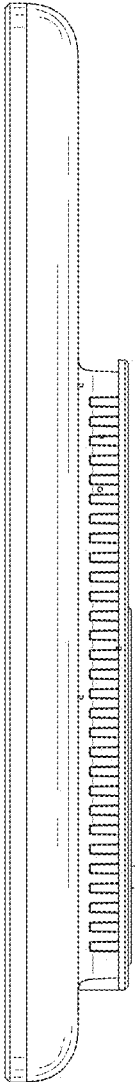


FIG. 4

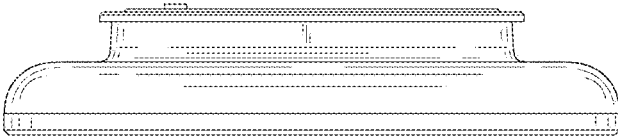


FIG. 5

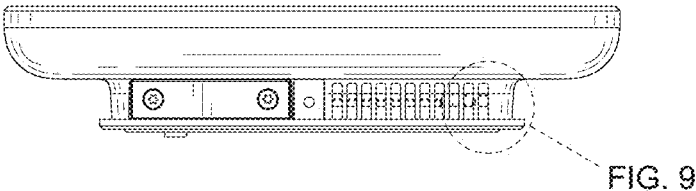


FIG. 6

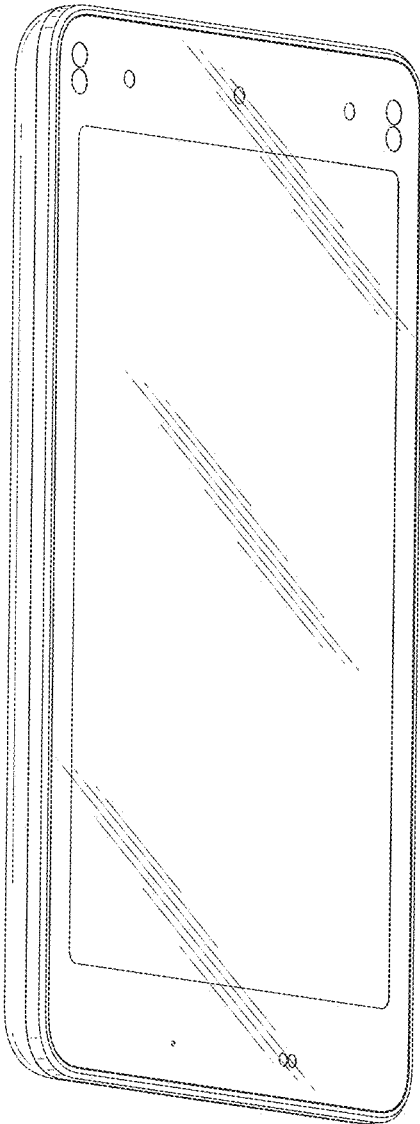


FIG. 7

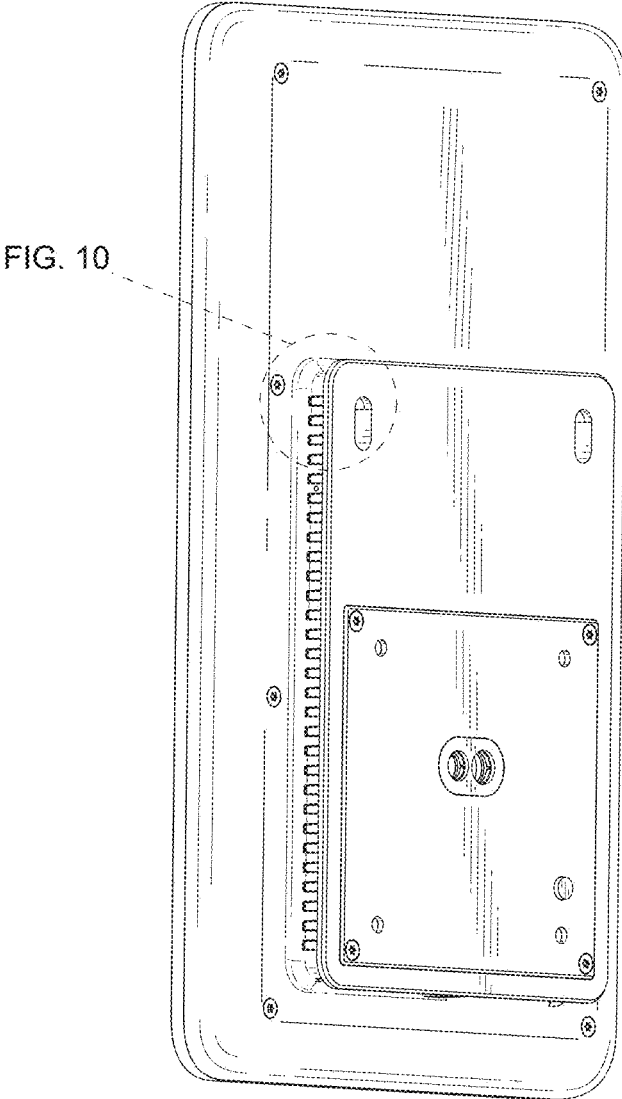


FIG. 8

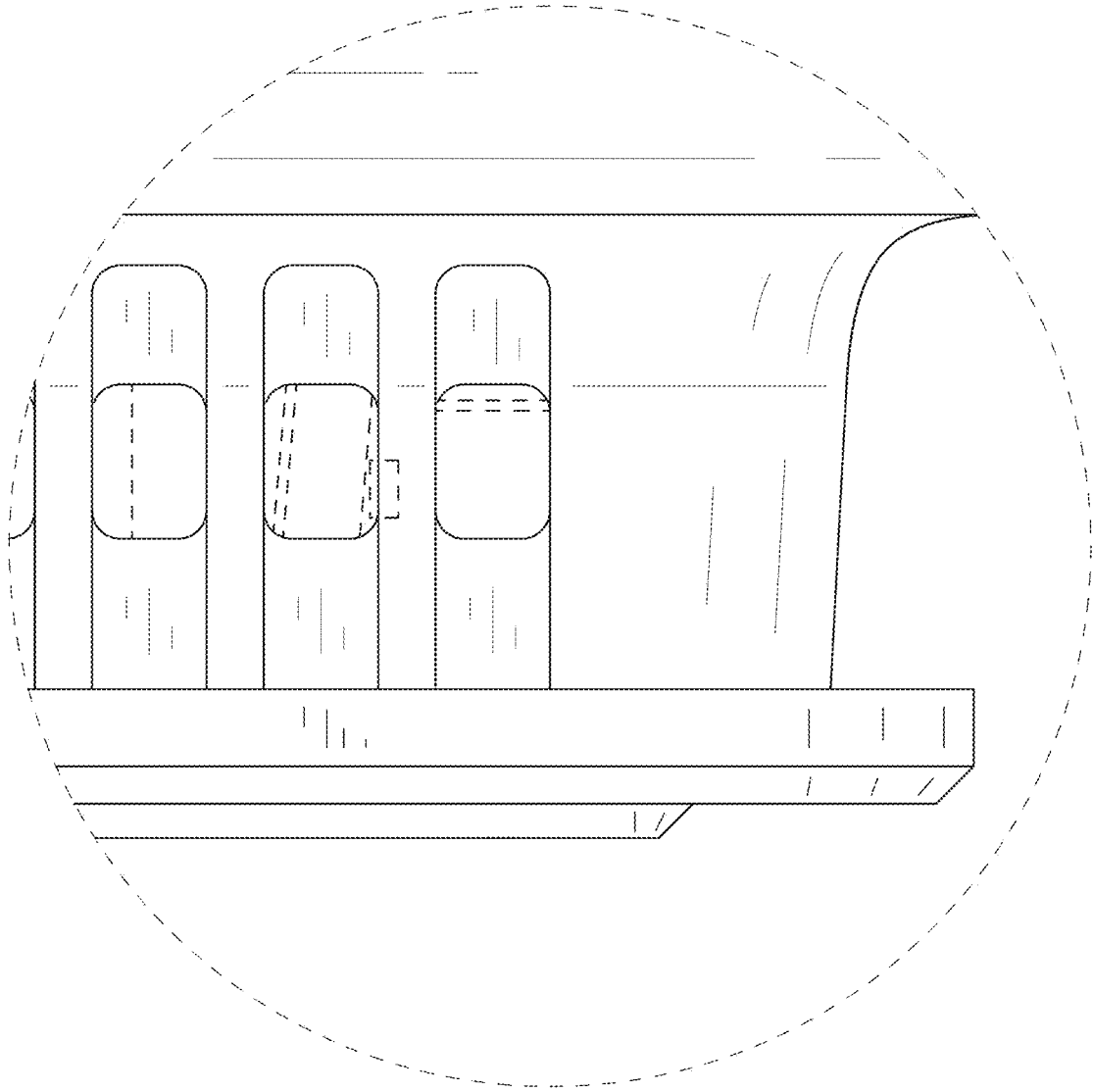


FIG. 9

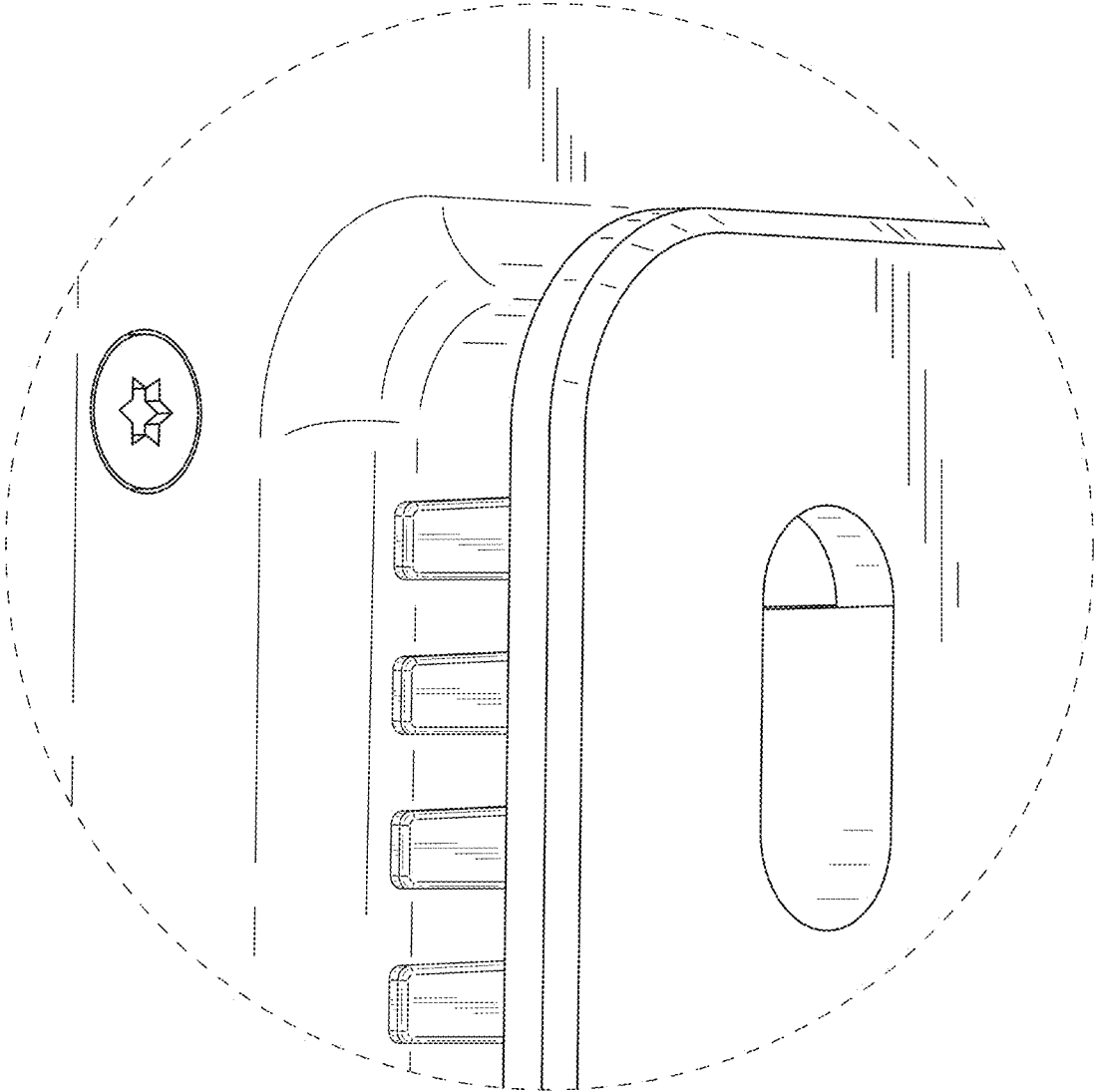


FIG. 10