



US00D909106S

(12) **United States Design Patent**
Maager

(10) **Patent No.:** **US D909,106 S**

(45) **Date of Patent:** **** Feb. 2, 2021**

(54) **FURNITURE FITTING**

(56) **References Cited**

- (71) Applicant: **Julius Blum GmbH**, Hoechst (AT)
- (72) Inventor: **Frank Maager**, Sulzburg (DE)
- (73) Assignee: **JULIUS BLUM GMBH**, Hoechst (AT)
- (**) Term: **15 Years**
- (21) Appl. No.: **29/691,339**
- (22) Filed: **May 15, 2019**

U.S. PATENT DOCUMENTS

D543,737	S	*	6/2007	Held	D6/716.2
D590,190	S	*	4/2009	Held	D6/716.2
D789,719	S	*	6/2017	Van Hoecke	A47B 88/941
						D6/705.4
D859,043	S	*	9/2019	Maager	D6/702
D869,212	S	*	12/2019	Maager	D6/702
D881,617	S	*	4/2020	Schwarzmann	D6/705
2017/0135467	A1	*	5/2017	Dutertre	A23K 50/10
2020/0288865	A1	*	9/2020	Kampl	A47B 88/941

* cited by examiner

Related U.S. Application Data

- (62) Division of application No. 35/504,920, filed on Nov. 7, 2017 (U.S. filing date under 35 U.S.C. 384), and having an international filing date of Nov. 7, 2017, now Pat. No. Des. 859,043.

Primary Examiner — Mary Ann Calabrese

(74) *Attorney, Agent, or Firm* — Wenderoth, Lind & Ponack, L.L.P.

Foreign Application Priority Data

- May 9, 2017 (EM) 003991405-0008

(57) **CLAIM**

The ornamental design for a furniture fitting, as shown and described.

(51) **LOC (13) Cl.** **06-06**

(52) **U.S. Cl.**
USPC **D6/702**

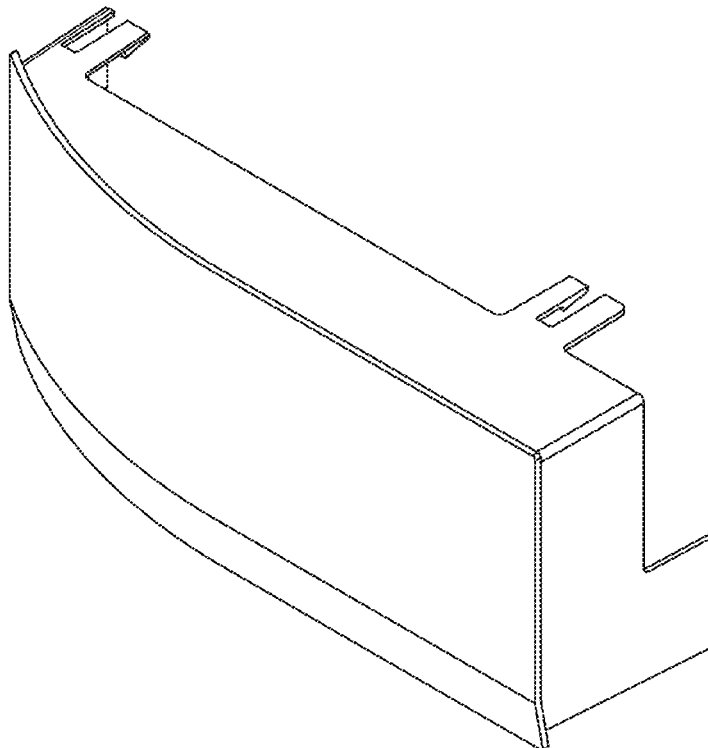
DESCRIPTION

(58) **Field of Classification Search**
 USPC D6/702, 705, 705.4, 706, 708, 716.2
 CPC A47B 21/06; A47B 91/005; A47B 91/12;
 A47B 95/00; A47B 96/00; A47B 96/06;
 A47B 96/14; A47B 96/20; A47B 96/201;
 A47B 2096/203; A47B 2220/00; A47B
 2220/0061

FIG. 1 is a front perspective view of a furniture fitting;
 FIG. 2 is a front view thereof;
 FIG. 3 is a left side view thereof;
 FIG. 4 is a rear view thereof;
 FIG. 5 is a right side view thereof;
 FIG. 6 is a top view thereof; and,
 FIG. 7 is a bottom view thereof.

See application file for complete search history.

1 Claim, 7 Drawing Sheets



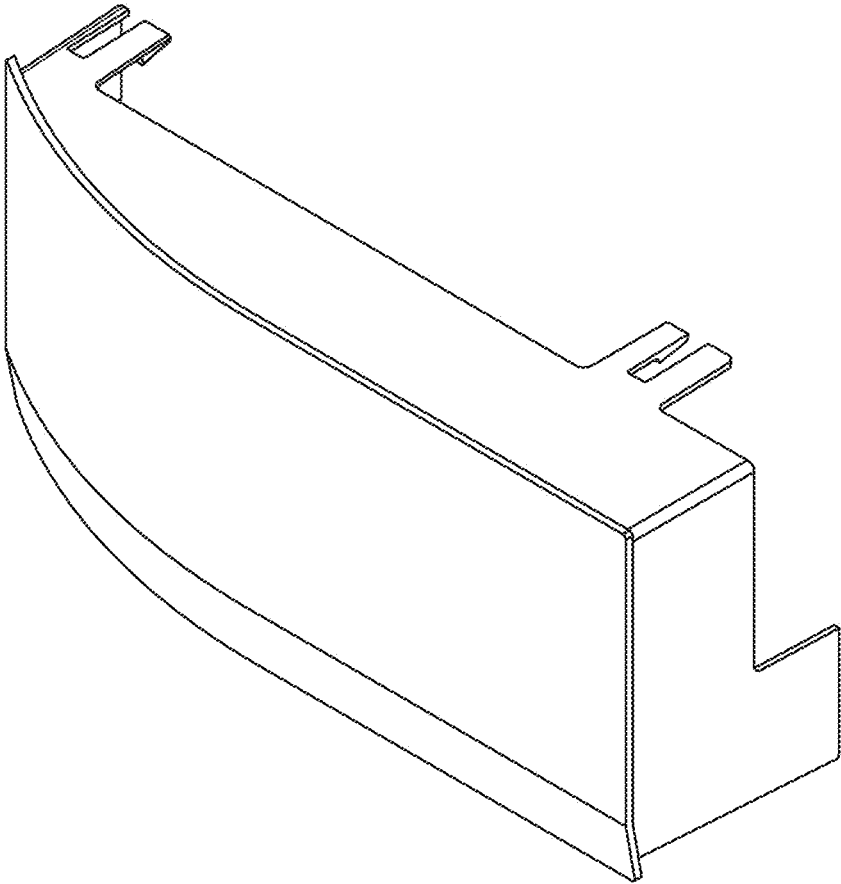


Fig. 1

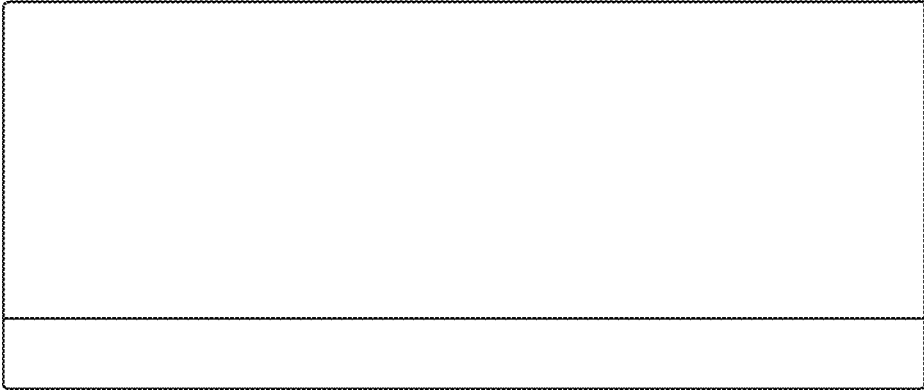


Fig. 2

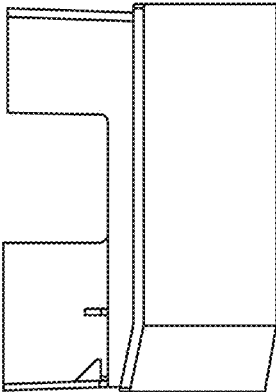


Fig. 3

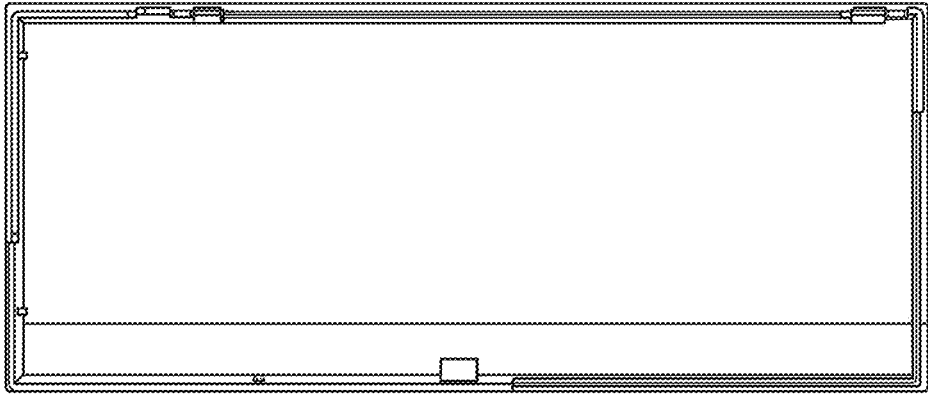


Fig. 4

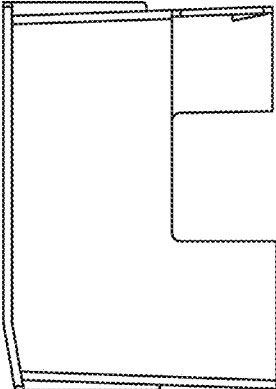


Fig. 5

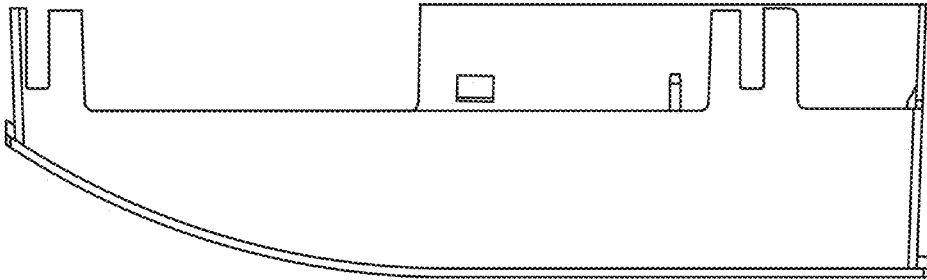


Fig. 6

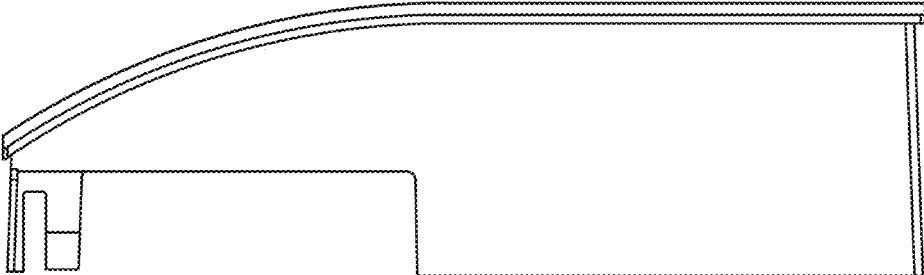


Fig. 7