



US00D985764S

(12) **United States Design Patent**  
**Yang**

(10) **Patent No.:** **US D985,764 S**

(45) **Date of Patent:** **\*\* May 9, 2023**

(54) **SNORKEL MASK**

(71) Applicant: **Yuanhua Yang**, Hunan (CN)

(72) Inventor: **Yuanhua Yang**, Hunan (CN)

(\*\*) Term: **15 Years**

(21) Appl. No.: **29/676,922**

(22) Filed: **Jan. 16, 2019**

(30) **Foreign Application Priority Data**

Dec. 19, 2018 (EM) ..... 005937018

(51) **LOC (14) Cl.** ..... **29-02**

(52) **U.S. Cl.**

USPC ..... **D24/110.2**

(58) **Field of Classification Search**

USPC ..... D24/110, 110.1-110.5, 127, 129;

D29/102, 106-108, 110; D21/803, 804

CPC ..... B63C 11/12; B63C 11/16; B63C 11/186;

B63C 11/205

See application file for complete search history.

(56) **References Cited**

U.S. PATENT DOCUMENTS

D838,358	S *	1/2019	Xu	.....	D24/110.2
D871,570	S *	12/2019	Pang	.....	D24/110.2
D875,923	S *	2/2020	Cai	.....	D24/110.2
D925,728	S *	7/2021	Chen	.....	D24/110.2
11,097,818	B2 *	8/2021	Liao	.....	B63C 11/14
2019/0002068	A1 *	1/2019	Godoy	.....	B63C 11/16
2019/0023366	A1 *	1/2019	Liao	.....	B63C 11/16
2019/0039702	A1 *	2/2019	Gamberini	.....	B63C 11/26
2019/0118916	A1 *	4/2019	Xiao	.....	B63C 11/14

2020/0216157	A1 *	7/2020	Xiao	.....	B63C 11/16
2020/0231260	A1 *	7/2020	Liao	.....	B63C 11/205
2021/0122447	A1 *	4/2021	Seilliere	.....	B63C 11/16

FOREIGN PATENT DOCUMENTS

GB 005937018-0001 \* 12/2018

OTHER PUBLICATIONS

Full Face Snorkel Mask for Women and Men by Swimstar. Amazon. Oldest review date: Jul. 1, 2020. Retrieval date: Apr. 19, 2022. Retrieved from internet: <https://www.amazon.com/SwimStar-Snorking-Comfortable-Snorkeling-Easybreath/dp/B08CGR87MR> (Year: 2020).\*

\* cited by examiner

*Primary Examiner* — Daniel J Domino

*Assistant Examiner* — Lee D. Starr

(57)

**CLAIM**

The ornamental design for a snorkel mask, as shown.

**DESCRIPTION**

FIG. 1 is a front elevational view of a snorkel mask showing my new design;

FIG. 2 is a rear elevational view thereof;

FIG. 3 is a left side elevational view thereof;

FIG. 4 is a right side elevational view thereof;

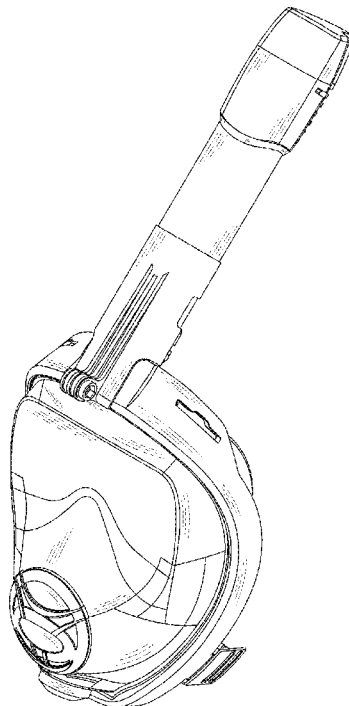
FIG. 5 is a top plan view thereof; and

FIG. 6 is a bottom plan view thereof; and,

FIG. 7 is a front perspective view thereof.

The broken lines depict portions of the snorkel mask that forms no part of the claimed design.

**1 Claim, 7 Drawing Sheets**



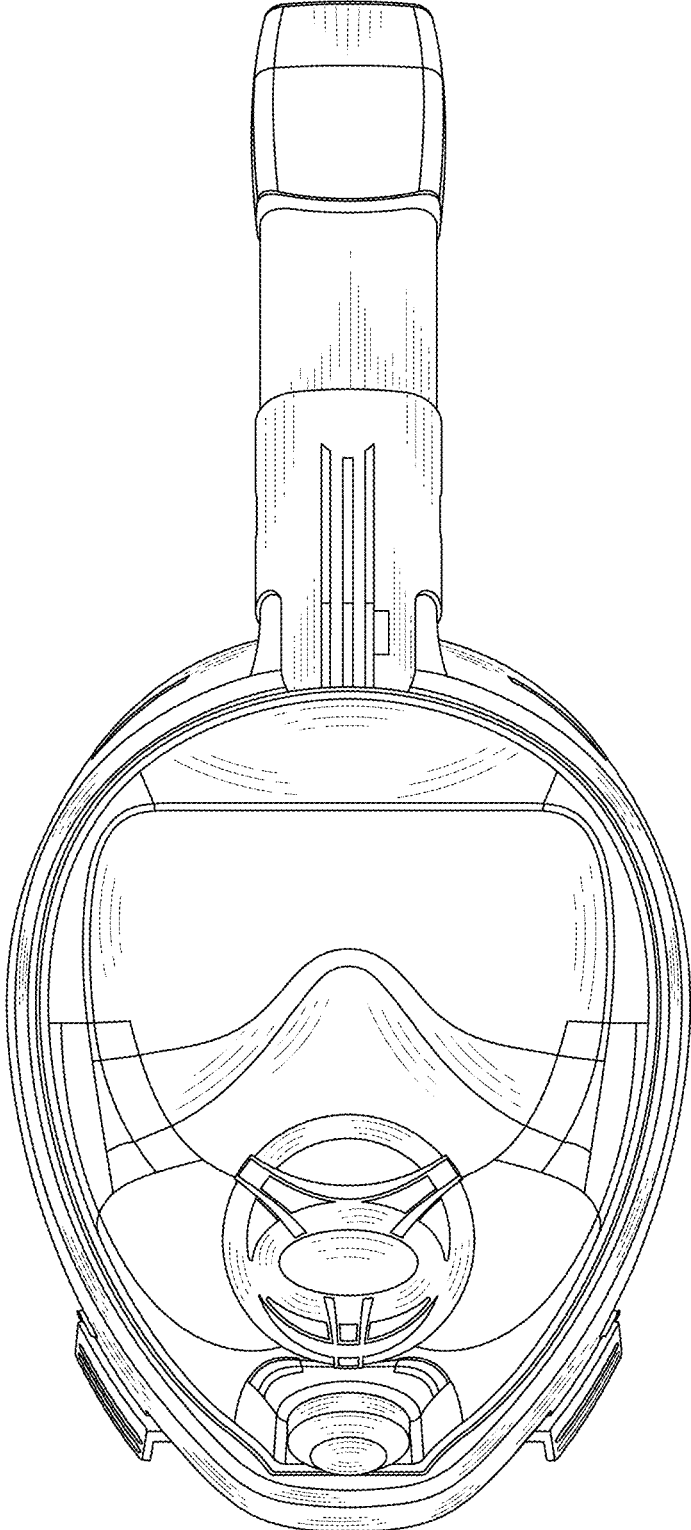


FIG. 1

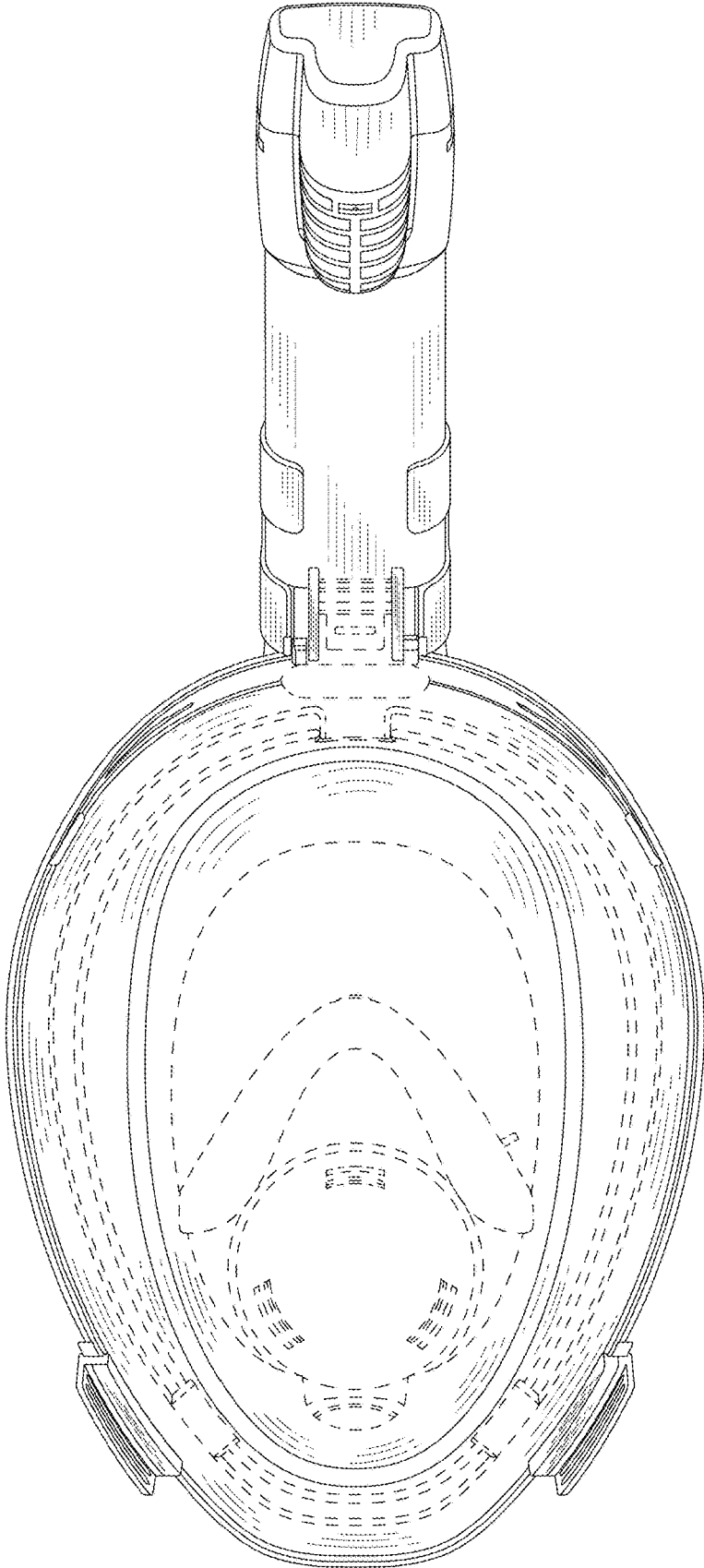


FIG. 2

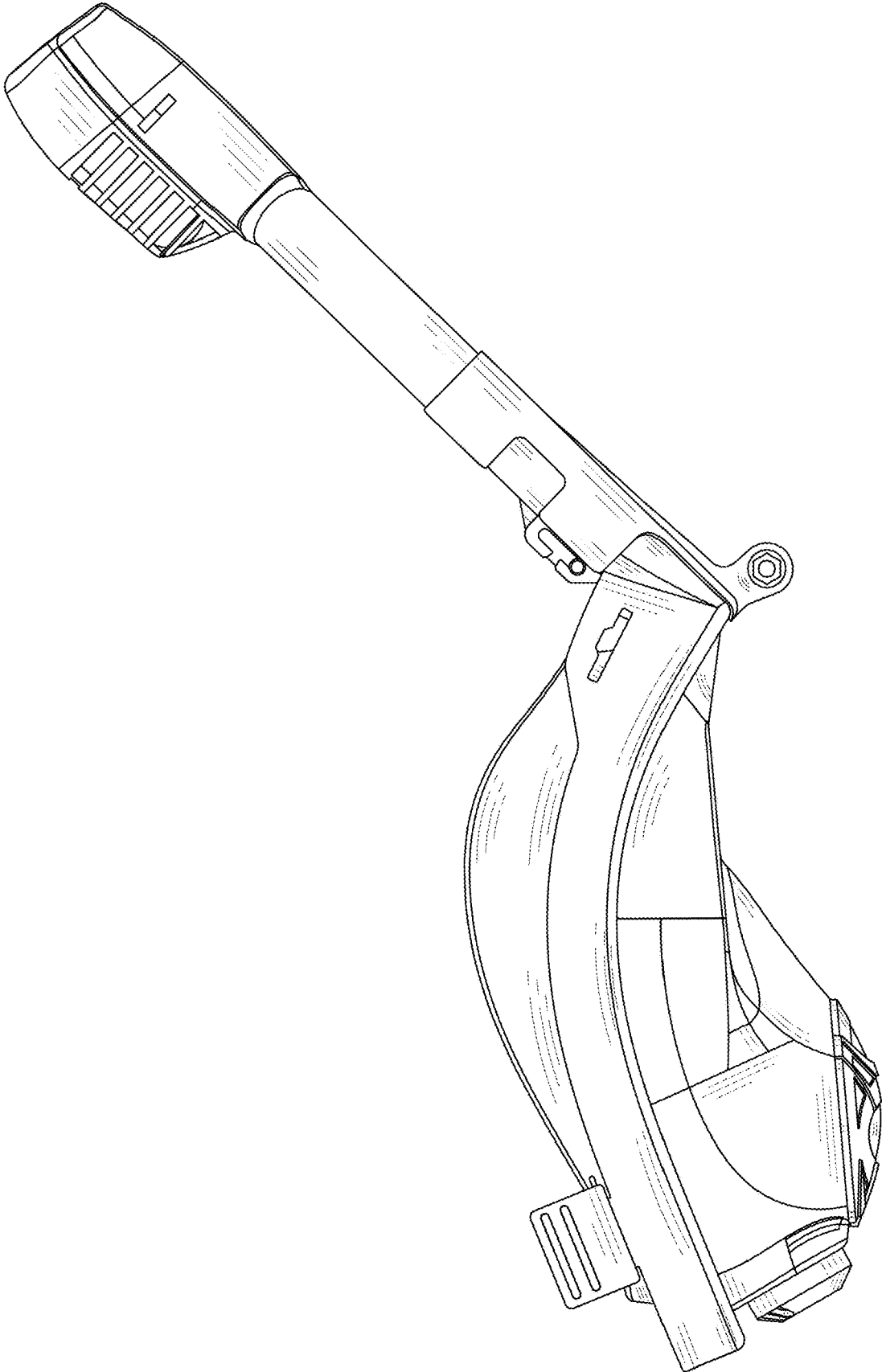


FIG. 3

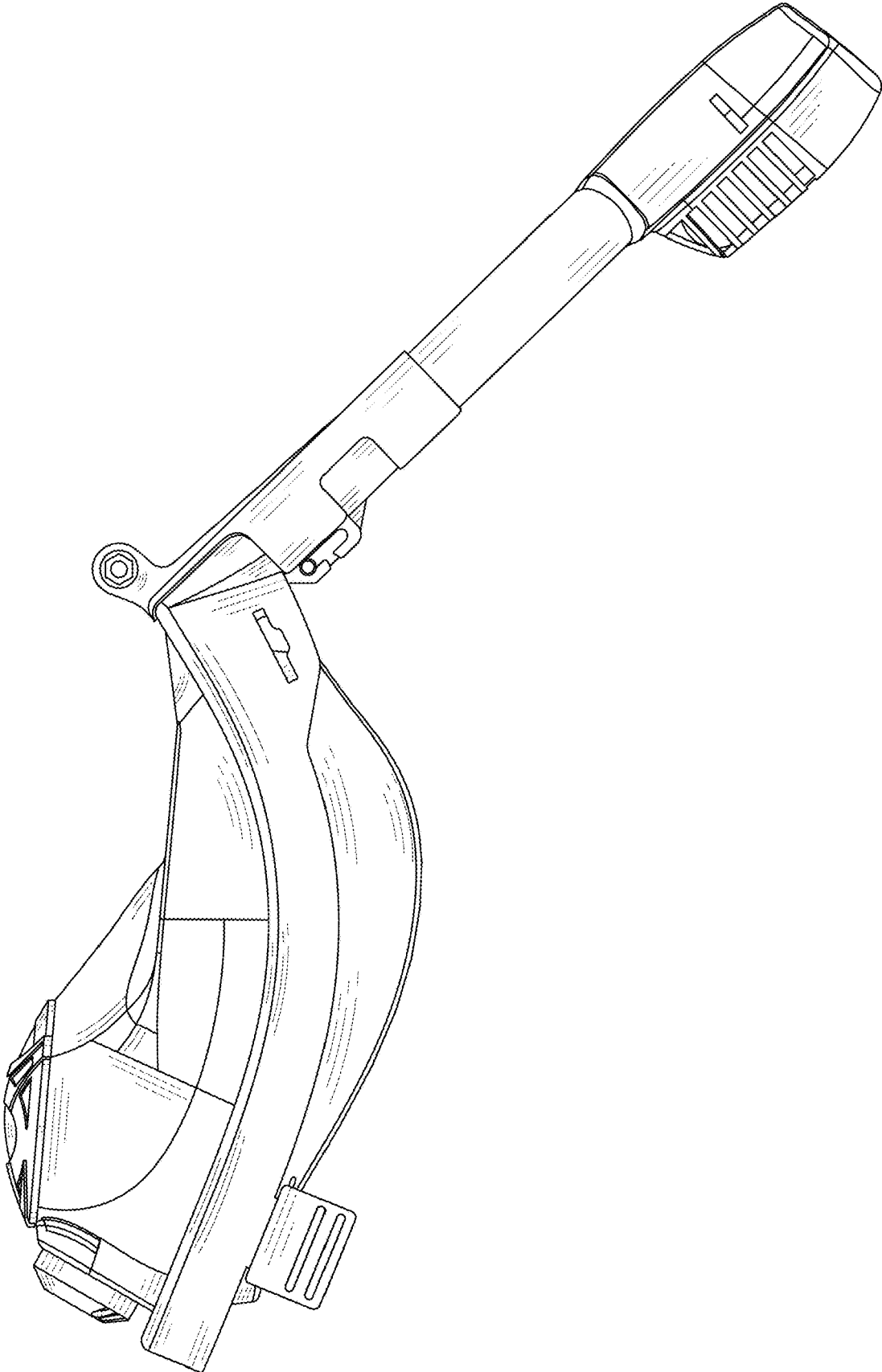


FIG. 4

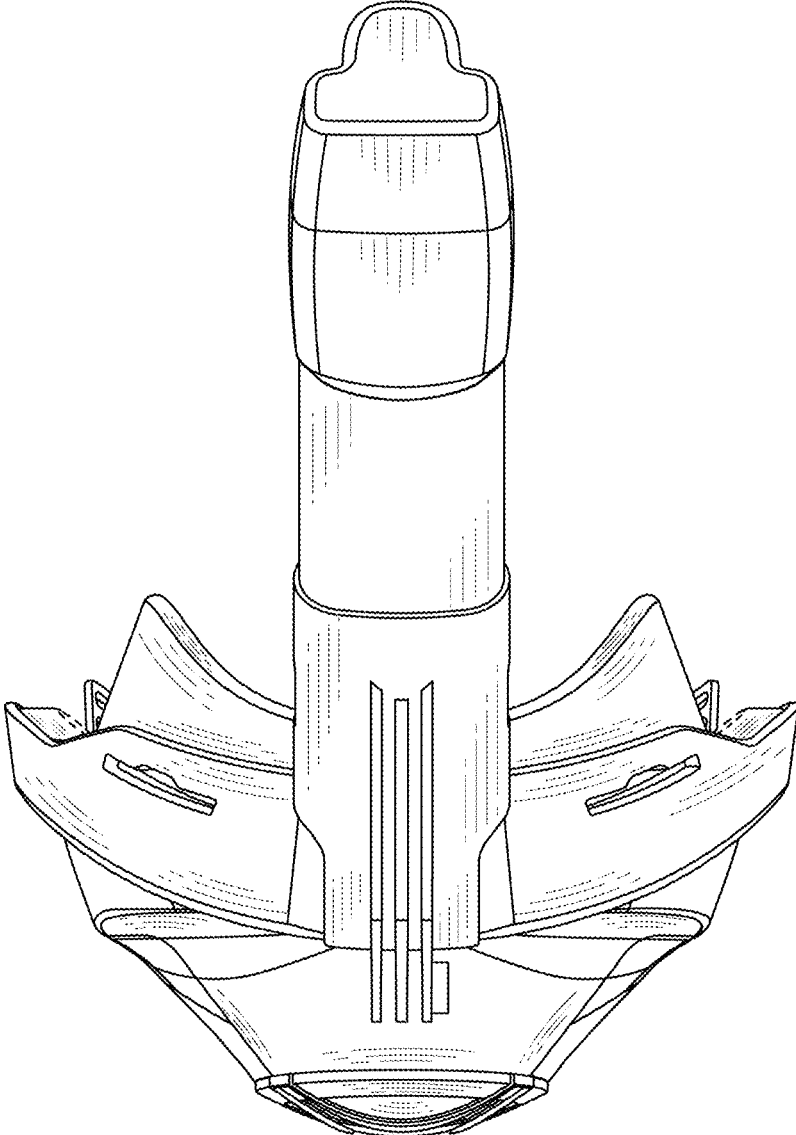


FIG. 5

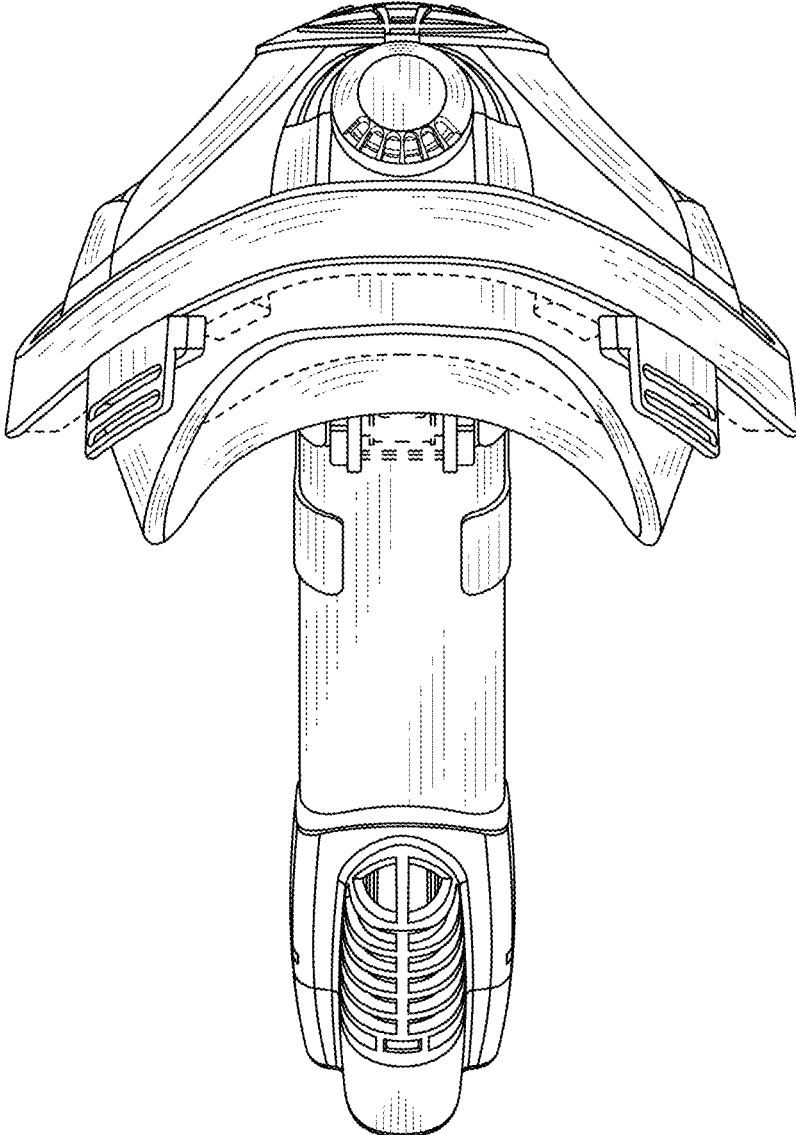


FIG. 6

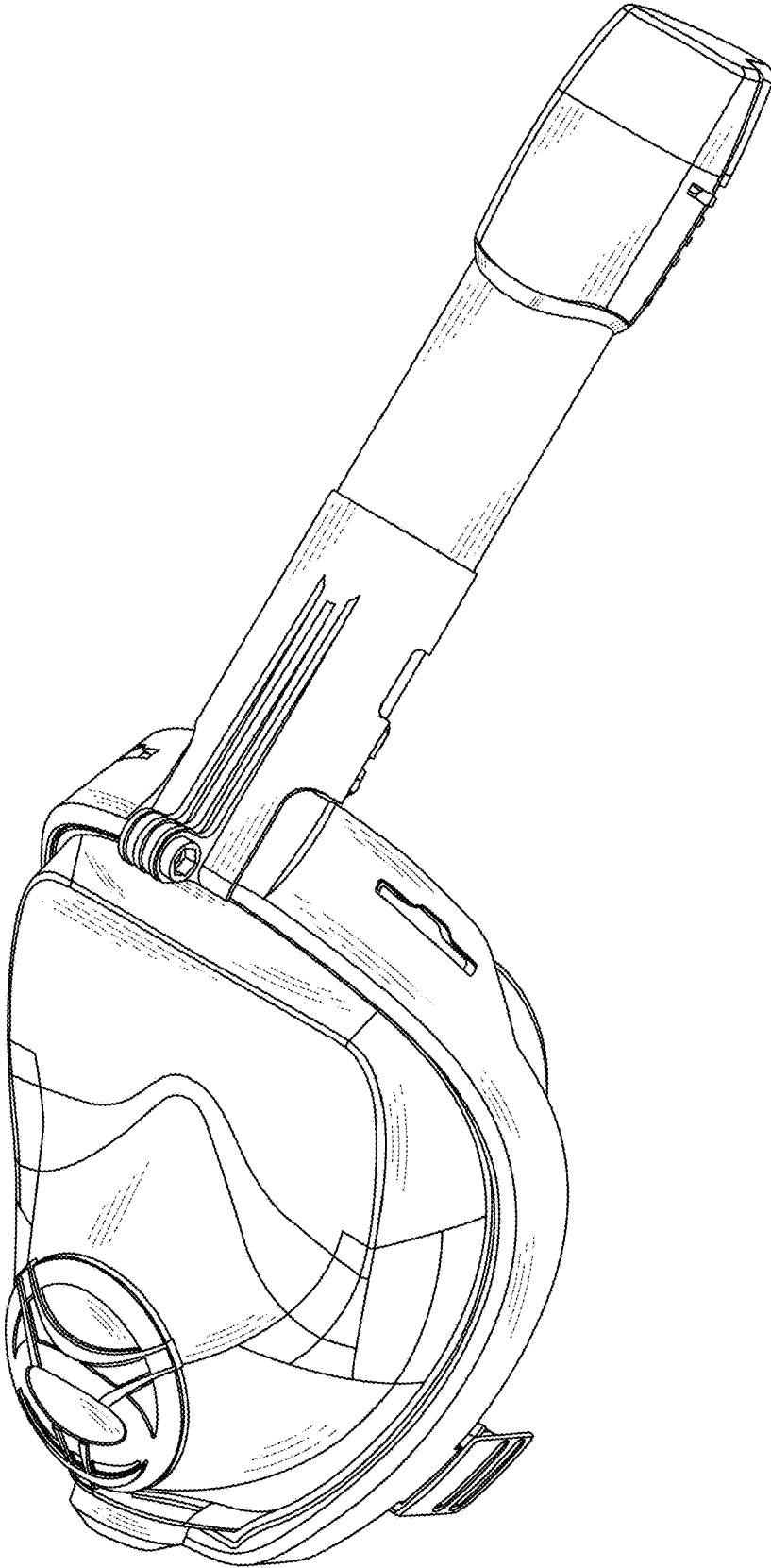


FIG. 7