



US00D470305S

(12) **United States Design Patent**
Clarke

(10) **Patent No.:** **US D470,305 S**

(45) **Date of Patent:** **** Feb. 18, 2003**

(54) **BASE FOR A STANDING UMBRELLA**

(75) **Inventor:** **Dougan H. Clarke, Miami Beach, FL (US)**

(73) **Assignee:** **Tucci Engineering & Design, Inc., Miami, FL (US)**

(**) **Term:** **14 Years**

(21) **Appl. No.:** **29/151,676**

(22) **Filed:** **Dec. 7, 2001**

(51) **LOC (7) Cl.** **03-03**

(52) **U.S. Cl.** **D3/10**

(58) **Field of Search** D3/5-6, 11-14, D3/16; 135/16, 20.1, 27; 362/102; 297/184.16; D6/413; 284/523, 158, 910, 188.1, 188.4

(56) **References Cited**

U.S. PATENT DOCUMENTS

3,038,688	A	*	6/1962	Thorburn	248/523	X
3,288,413	A	*	11/1966	Gregory	248/158	
3,415,475	A	*	12/1968	Goodman	D6/495	X
4,145,044	A	*	3/1979	Wilson et al.	248/188.1	X
4,591,126	A	*	5/1986	Berney	248/910	X

D285,883	S	*	9/1986	Tegze	D6/495	
4,793,611	A	*	12/1988	Thornell	248/910	X
5,634,482	A	*	6/1997	Martin	135/16	
5,740,822	A	*	4/1998	Einck	135/16	
6,113,054	A	*	9/2000	Ma	248/523	
6,367,494	B1	*	4/2002	Tung	248/910	X

* cited by examiner

Primary Examiner—Louis S. Zarfes

Assistant Examiner—Robert A. Delehanty

(74) *Attorney, Agent, or Firm*—Malloy & Malloy, P.A.

(57) **CLAIM**

The ornamental design for a base for a standing umbrella, as shown and described.

DESCRIPTION

FIG. 1 is a perspective view of the base for an umbrella according to my invention;

FIG. 2 is a top view thereof;

FIG. 3 is a left side view thereof;

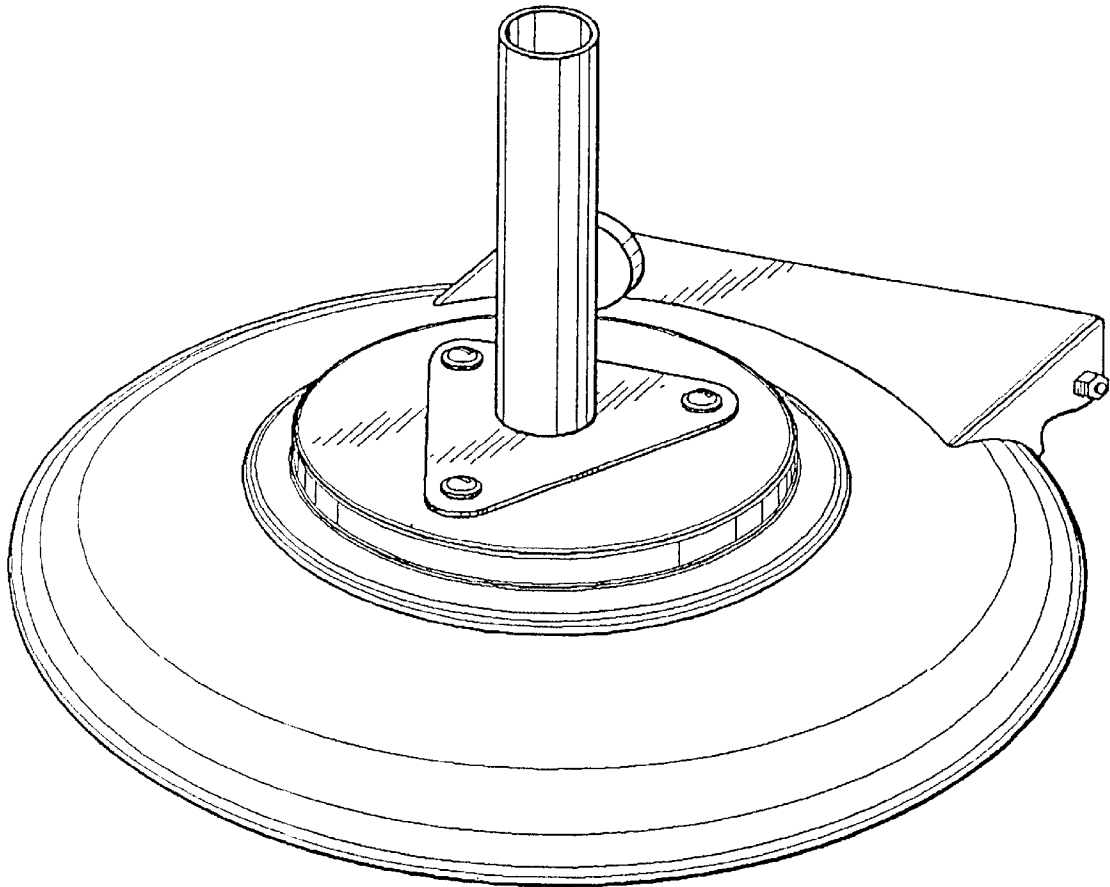
FIG. 4 is a rear view thereof;

FIG. 5 is a right side view thereof;

FIG. 6 is a front view thereof; and,

FIG. 7 is a bottom view thereof.

1 Claim, 5 Drawing Sheets



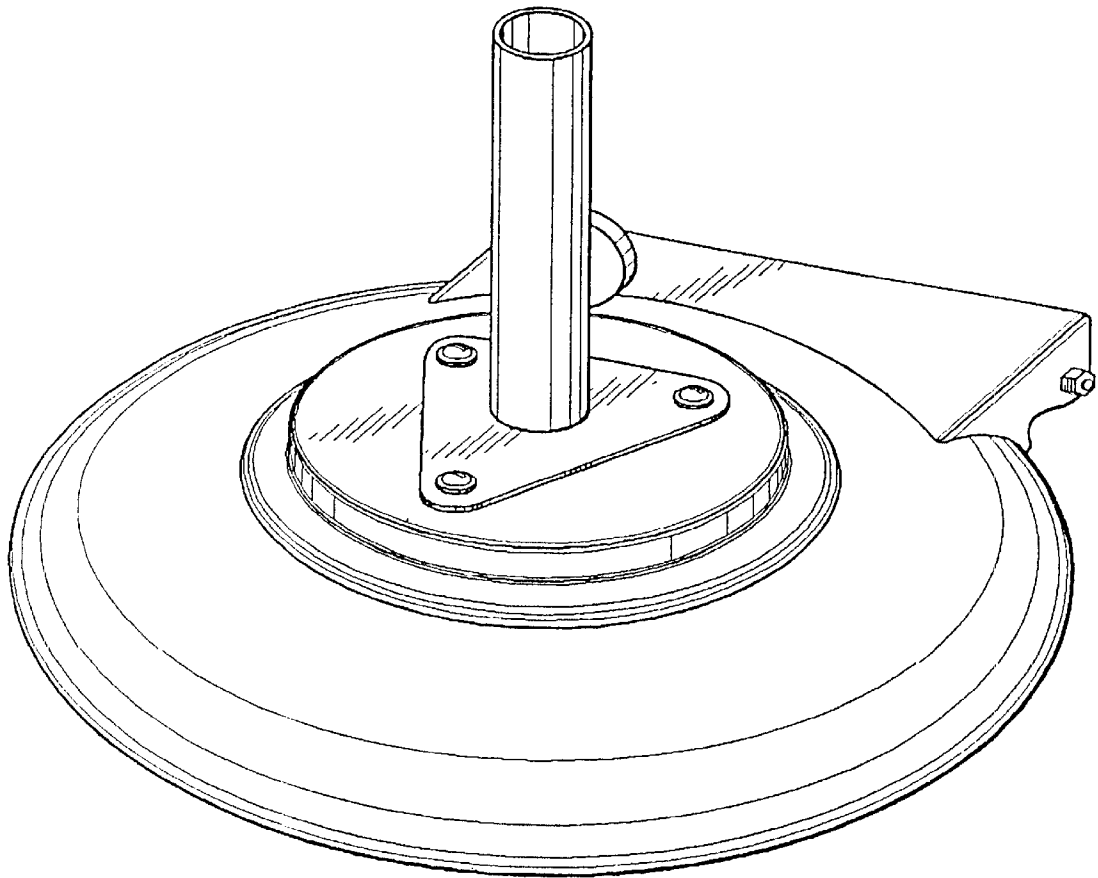


FIG. 1

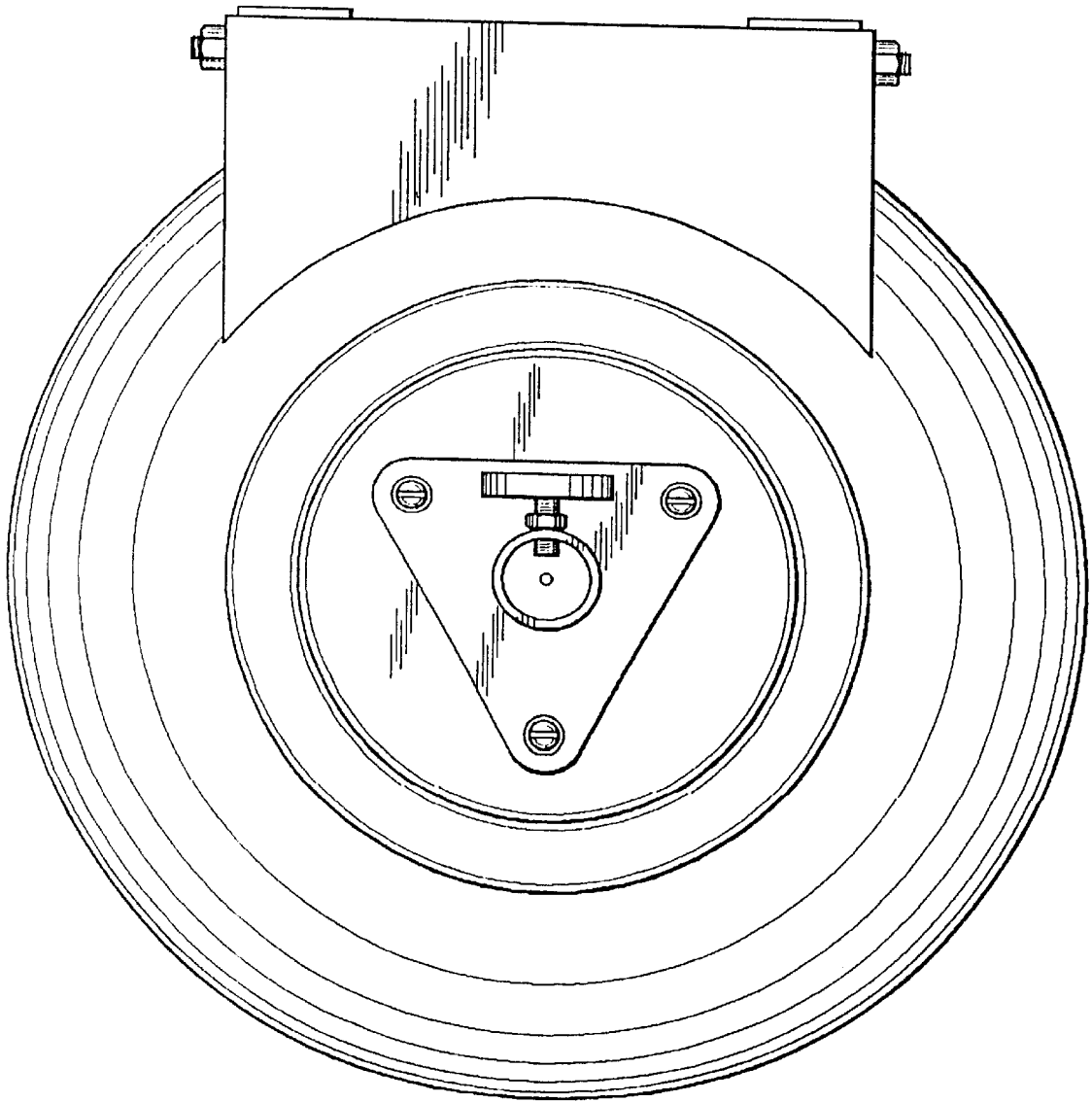


FIG. 2

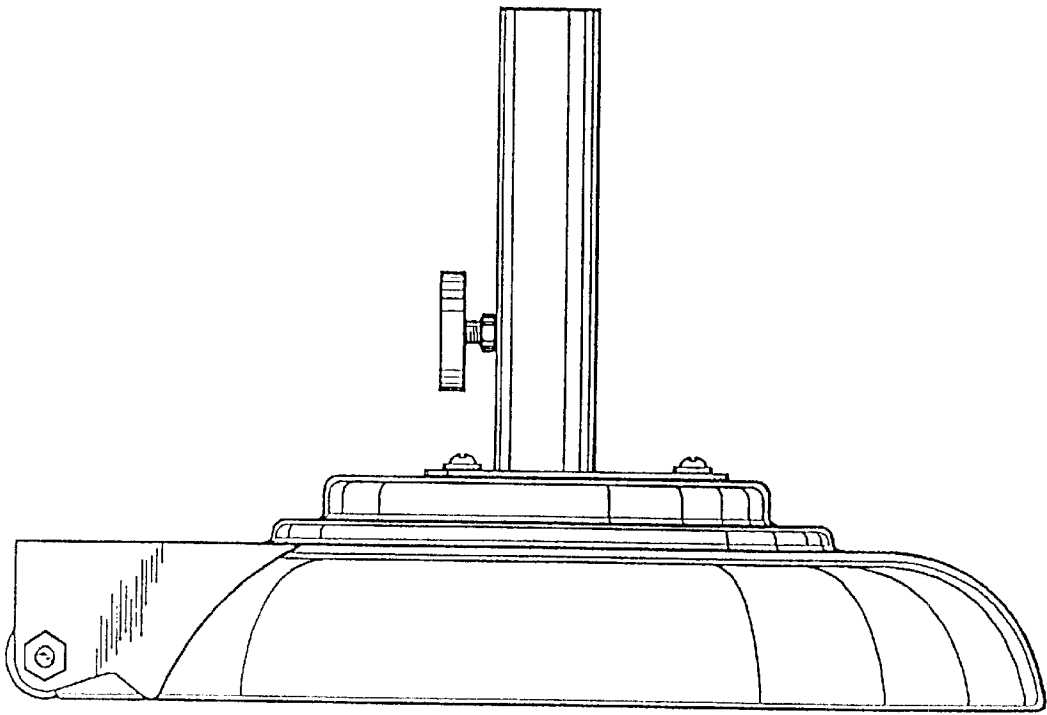


FIG. 3

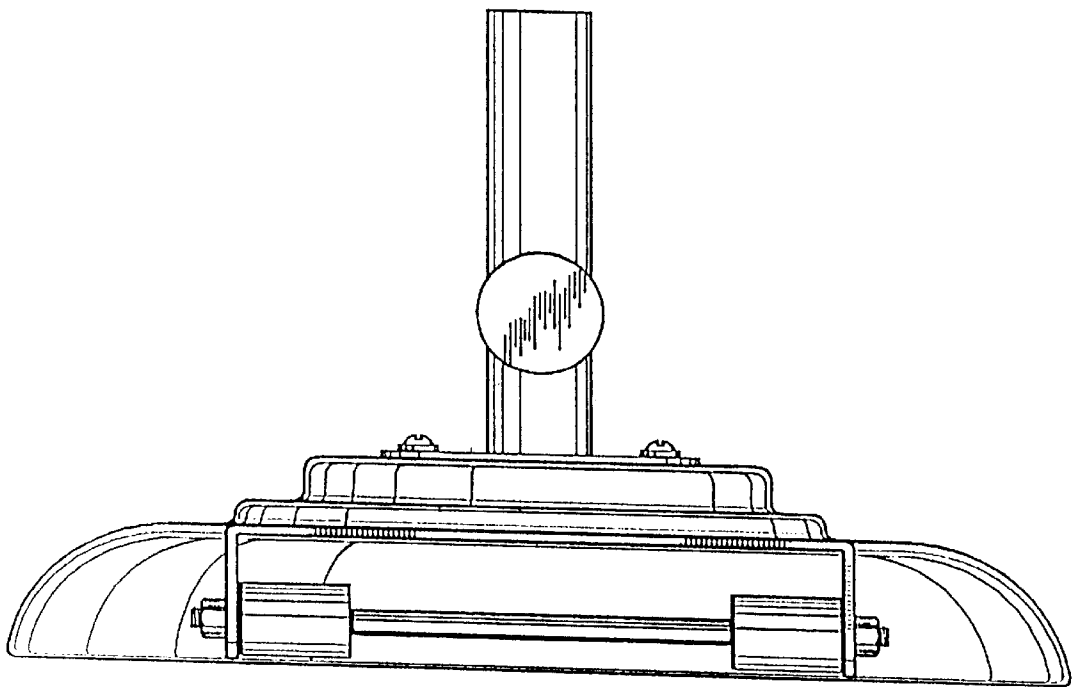


FIG. 4

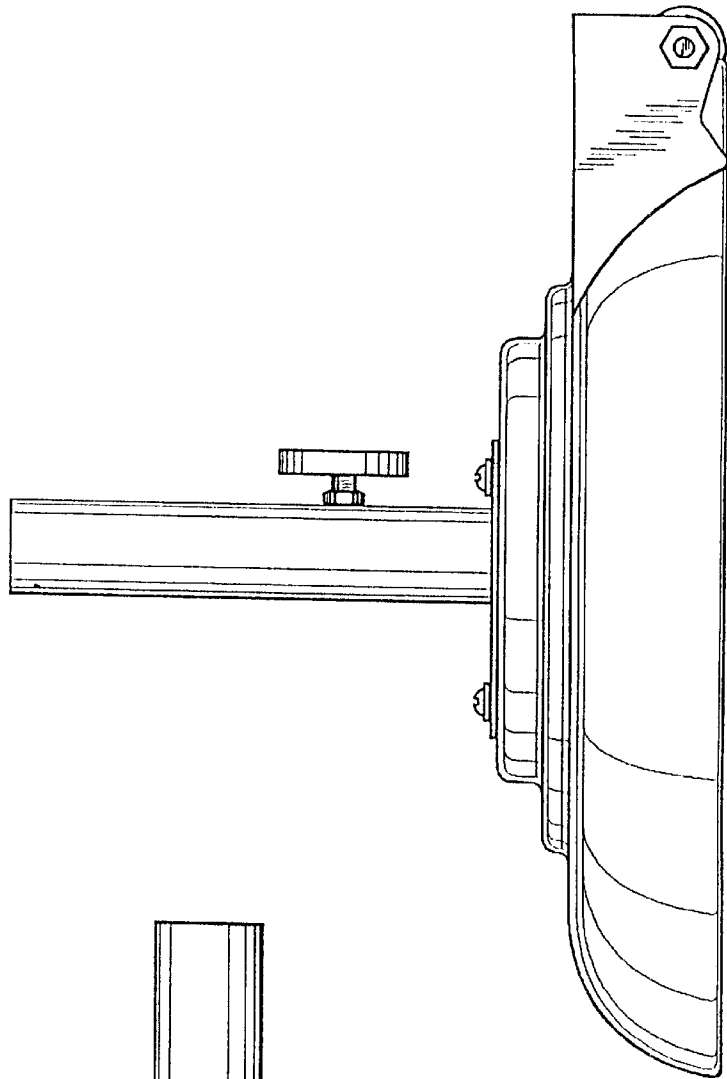


FIG. 5

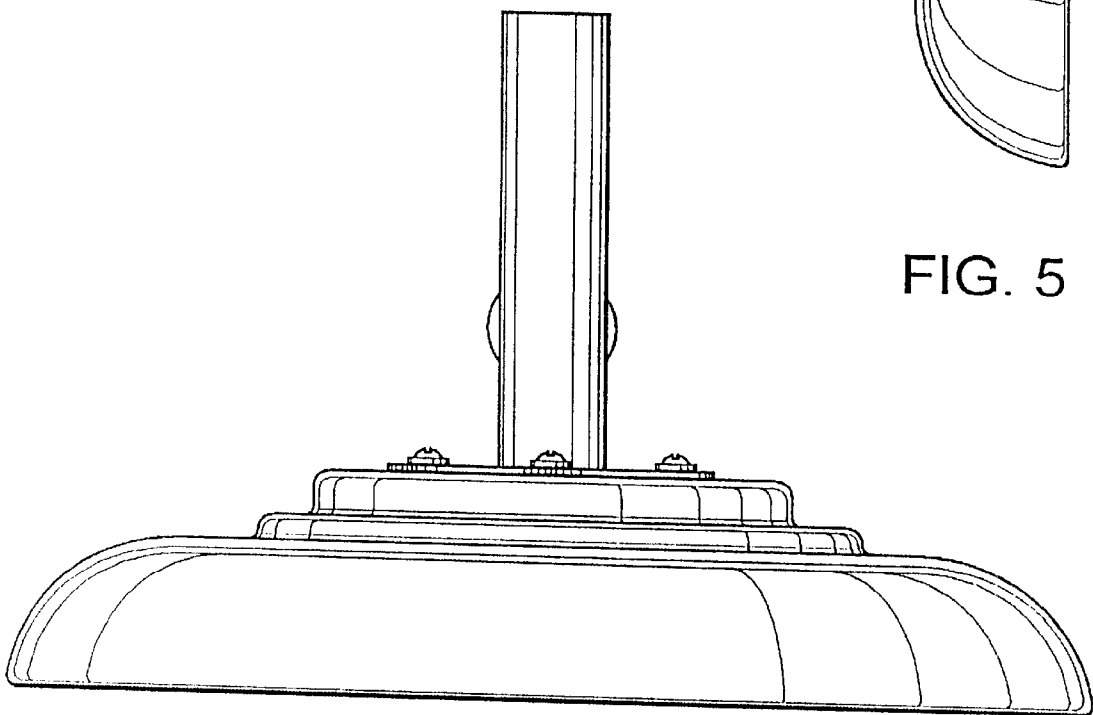


FIG. 6

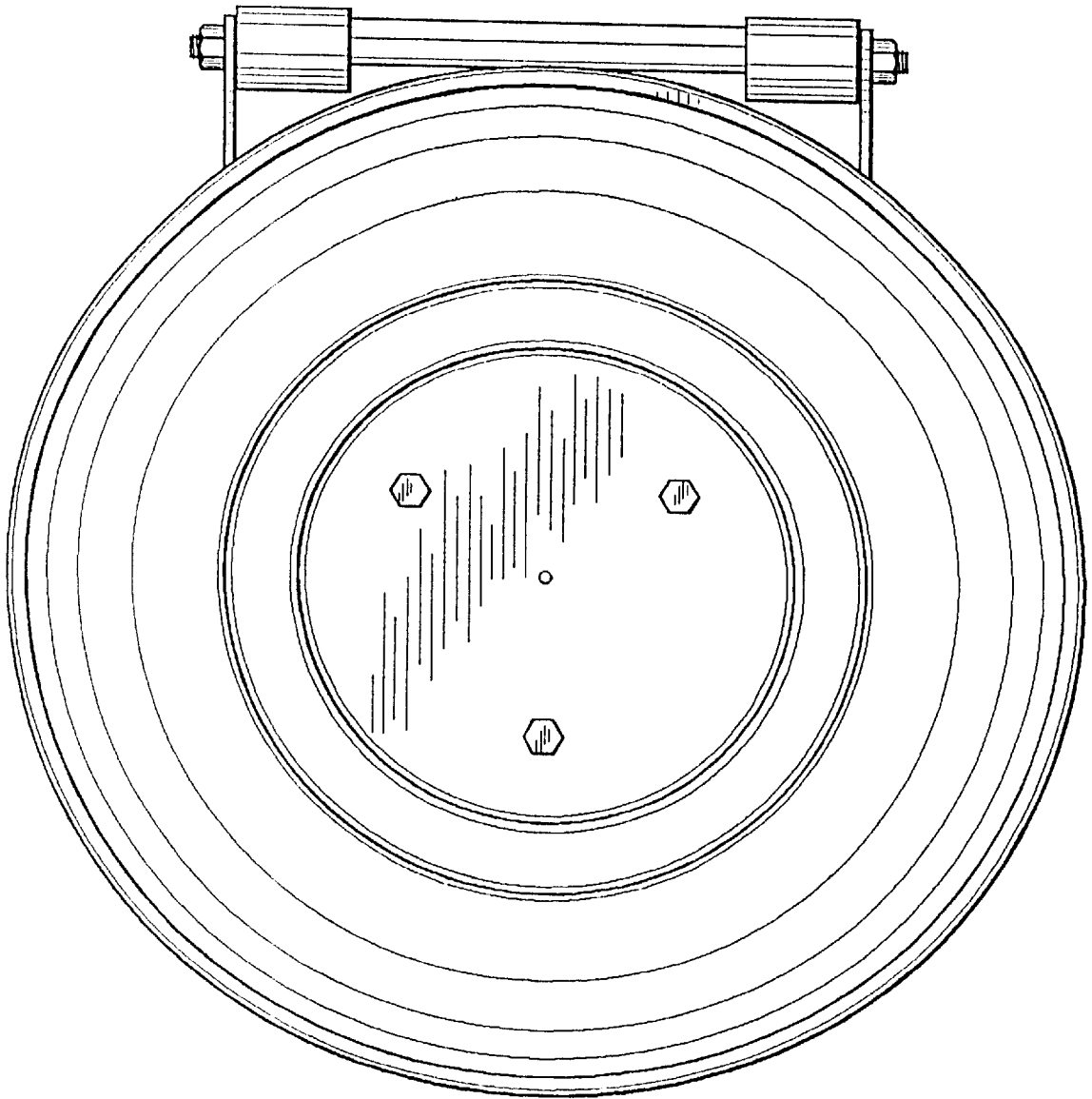


FIG. 7