



(12) **United States Design Patent**
Guthrie

(10) **Patent No.:** **US D989,940 S**
(45) **Date of Patent:** **** Jun. 20, 2023**

- (54) **CEILING FAN BLADE IRON**
- (71) Applicant: **HUNTER FAN COMPANY,**
Memphis, TN (US)
- (72) Inventor: **Benjamin Scotti Guthrie,**
Germantown, TN (US)
- (73) Assignee: **Hunter Fan Company,** Memphis, TN
(US)
- (**) Term: **15 Years**
- (21) Appl. No.: **29/767,254**
- (22) Filed: **Jan. 21, 2021**

D329,638 S 8/1992 Hsieh
D329,894 S 9/1992 Scofield
5,151,011 A 9/1992 Rezek
D360,939 S 8/1995 Wang
D386,257 S 11/1997 Liu
D389,908 S 1/1998 Dolan
D393,902 S 4/1998 Pickett
(Continued)

Related U.S. Application Data

- (60) Continuation of application No. 29/709,108, filed on Oct. 11, 2019, now Pat. No. Des. 911,510, which is a continuation of application No. 29/664,864, filed on Sep. 28, 2018, now Pat. No. Des. 867,573, which is a continuation of application No. 29/617,539, filed on Sep. 14, 2017, now abandoned, which is a division of application No. 29/557,369, filed on Mar. 8, 2016, now Pat. No. Des. 805,174.

- (51) **LOC (14) Cl.** **23-03**
- (52) **U.S. Cl.**
USPC **D23/411**
- (58) **Field of Classification Search**
USPC D23/370, 377, 379, 385, 411-414;
D26/59
CPC F04D 25/088; F04D 29/38; F04D 29/384;
F04D 29/386; F21V 33/0096
See application file for complete search history.

References Cited

U.S. PATENT DOCUMENTS

4,073,598 A 2/1978 Mizutani et al.
D328,951 S 8/1992 Scofield et al.

OTHER PUBLICATIONS

<http://ceilingfans.emerson.com/shop/en/fan/fans-s-emerson-fans/emerson-fans-browse-all/atomical-fan-p-cf930>, Emerson Indoor/Outdoor Brushed Steel Ceiling Fan with Light, accessed Aug. 8, 2018.

(Continued)

Primary Examiner — Sharon S Oum
(74) *Attorney, Agent, or Firm* — McGarry Bair PC

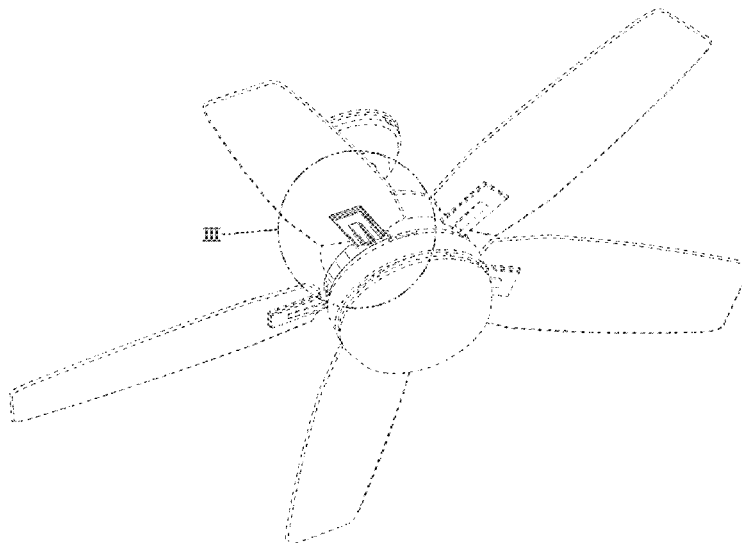
(57) **CLAIM**

The ornamental design for a ceiling fan blade iron, as shown and described.

DESCRIPTION

FIG. 1 is a top perspective view of a ceiling fan blade iron according to my new design in the environment of a ceiling fan;
FIG. 2 is a bottom perspective view thereof;
FIG. 3 is an enlarged view of the ceiling fan blade iron in FIG. 2;
FIG. 4 is a top view of the ceiling fan blade iron in FIG. 1;
FIG. 5 is a bottom view of the ceiling fan blade iron in FIG. 1; and,
FIG. 6 is a front side view of the ceiling fan blade iron in FIG. 1.
The dash-dash broken lines illustrate portions of the ceiling fan that form no part of the claimed design. The dot-dot-dash broken lines surrounding the ceiling fan blade iron in FIG. 2 and FIG. 3 form no part of the claimed design.

1 Claim, 6 Drawing Sheets



(56)

References Cited

U.S. PATENT DOCUMENTS

D396,531 S 7/1998 Lieu
 D428,485 S * 7/2000 Dolan D23/377
 D442,275 S * 5/2001 Dolan D23/411
 6,382,917 B1 5/2002 Zuege
 D476,408 S 6/2003 Hidalgo
 D477,397 S 7/2003 Chen
 D478,980 S 8/2003 Hidalgo
 D512,139 S 11/2005 Hidalgo
 D514,216 S 1/2006 Hidalgo
 D535,051 S 1/2007 Stauffer
 D535,738 S 1/2007 Pan
 D536,085 S 1/2007 Clymer
 D545,422 S 6/2007 Glasbrenner
 D551,753 S 9/2007 Ertze
 D621,024 S 8/2010 Orozco
 D627,873 S 11/2010 Pan
 D627,907 S 11/2010 Pan
 D632,381 S 2/2011 Davenport et al.
 D705,922 S 5/2014 Wang
 D707,336 S 6/2014 Pan
 D743,528 S 11/2015 Wang
 D744,629 S 12/2015 Wang
 D745,960 S 12/2015 Pickett
 D796,024 S 8/2017 Holmes
 D800,891 S 10/2017 McRoberts et al.
 D803,380 S 11/2017 Holmes
 D804,635 S * 12/2017 Holmes D26/59
 D804,639 S 12/2017 Guthrie
 D805,174 S 12/2017 Guthrie
 D810,915 S 2/2018 Guthrie et al.
 D810,920 S 2/2018 Haggar
 D816,204 S 4/2018 McRoberts
 D821,563 S * 6/2018 Holmes D23/411
 D825,052 S 8/2018 Guthrie
 D827,123 S 8/2018 Guthrie
 D834,734 S 11/2018 Guthrie
 D844,769 S 4/2019 McRoberts et al.
 D867,573 S 11/2019 Guthrie
 D874,633 S 2/2020 McRoberts et al.
 D894,365 S * 8/2020 Passauer, III D23/377

OTHER PUBLICATIONS

<https://www.menards.com/main/lighting-ceiling-fans/ceiling-fans/shop-all-ceiling-fans/turn-of-the-century-savion-52in-new-bronze-ceiling-fan/p-1444438%E2%80%A6>, Turn of the Century Savion 52" New Bronze Ceiling Fan, Model No. fn7027nz, accessed Aug. 8, 2018.
<http://www.kichler.com/products/product/56-ellys-ceiling-fan-ni-300239ni.aspx>, Kichler Elyls Collection 56" Ceilig Fan NI, Model No. 300239NI, accessed Aug. 8, 2017.
<http://www.homedepot.com/p/Home-Decorators-Collection-Carrington-60-in-Natural-Iron-Ceiling-Fan-YG419-NI/205710656>, Hampton Bay Carrington 60 in. Natural Iron Ceiling Fan, Model No. YG419-NI, accessed Aug. 8, 2017.
<https://goodpriceappliances.com/products/kichler-lighting-300181oz-52-inch-lacey-ceiling-fan-olde-bronze-by-kichler-lighting>, Kichler Lacey

Ceiling Fan, 52 in. Oide Bronze, Product No. 300181OZ, accessed Aug. 8, 2017.
<http://www.hunterfan.com/Ceiling-Fans/Eurus?ModelNumber=59054>, Hunter Fan Eurus, 54" Ceiling Fan, Model No. 59054 Brushed Nickel Finish, accessed Aug. 8, 2017.
<http://www.homedepot.com/p/Hampton-Bay-Northport-52-in-Brushed-Nickel-Ceiling-Fan-14926/202790687>, Hampton Bay Northport 52 in. Brushed Nickel Ceiling Fan, Model No. 14926, accessed Aug. 8, 2017.
<http://www.quoruminternational.com/index.cfm/app/productDetail?product=81725-65>, Quorum International Ceiling Fan, Vector Satin Nickel, Product No. 81725-65, accessed Aug. 8, 2017.
<http://www.montecarlofans.com/37636/56-Turbine---Black-8TNR56BKD>, Monte Carlo Turbine Collection, 56" Ceiling Fan, Products No. 8TNR56BKD, accessed Aug. 8, 2017.
<http://www.kichler.com/products/product/52-inch-leeds-fan-ap-300427ap.aspx>, Kichler Leeds Collection, 52 in. Ceiling Fan, Antique Pewter, Model No. 300427AP, accessed Aug. 8, 2017.
<http://www.fanimation.com/products/index.php/fans/benito.html>, Fanimation Benito Ceiling Fan, Model No. FP8003, accessed Aug. 8, 2017.
<http://www.kichler.com/products/product/60-terra-select-ceiling-fan-bap-330250bap.aspx>, Kichler Serra Select Collection, Product No. 330250BAP, accessed Aug. 8, 2017.
<http://www.craftmade.com/pulsar-pu52ss5>, Craftmade Pulsar, 52" Ceiling Fan with Blades and Light, Product No. PU52SS5, accessed Aug. 8, 2017.
<http://www.kingoffans.com/#/products/ceilingFans>, King of Fans Carousel III Ceiling Fan, SKU No. 665-862, Model No. 46750, accessed Aug. 8, 2017.
<http://www.craftmade.com/montreal-mn44ss4>, Craftmade Montreal 44" Ceiling Fan with Blades and Light, Model No. MN44SS4, accessed Aug. 8, 2017.
<http://www.homedepot.com/p/Hampton-Bay-Sussex-II-52-in-Brushed-Nickel-Ceiling-Fan-AL694-BN/203244867>, Hampton Bay Sussex II 52" in. Brushed Nickel Ceiling Fan, Model No. AL694-BN, accessed Aug. 8, 2017.
<http://www.kingoffans.com/#/products/ceilingFans>, King of Fan Midili Ceiling Fan SKU No. 903-913, Model No. 68044, accessed Aug. 8, 2017.
 Hunter 59243 Dempsey Low Profile With Light Brushed Nickel Ceiling Fan With Light & Remote, date first available Feb. 29, 2016, amazon.com, site visited Jul. 14, 2017, Copyright © 1996-2017, Available from Internet, https://www.amazon.com/Hunter-59243-Dempsey-Profile-Fan/dp/B01CDG05NK/ref=sr_1_2?ie=UTF8&qid=1498059323&sr=8-2&keywords=hunter+dempsey.
 Casablanca 59022 Isotope 52-Inch 5-Blade Single Light Ceiling Fan, date first available Apr. 24, 2009, amazon.com, site visited Jul. 14, 2017, Copyright © 1996-2017, Available from Internet, https://www.amazon.com/Casablanca-59022-isotope-52-Inch-Espresso/dp/B0050VY2M2/ref=sr_1_2?ie=UTF8&qid=1500045128&sr=8-2&keywords=casablanca+fan+isotope.
 Fanimation FP6728DZ Xena, date first available Sep. 26, 2015, amazon.com, site visited Jul. 14, 2017, Copyright © 1996-2017, Available from Internet, https://www.amazon.com/Fanimation-FP6728DZ-Xeno-Blades-Bronze/dp/B015UH37L6/ref=sr_1_1?ie=UTF8&qid=1500045614&sr=8-1&keywords=fanimation+xeno.

* cited by examiner

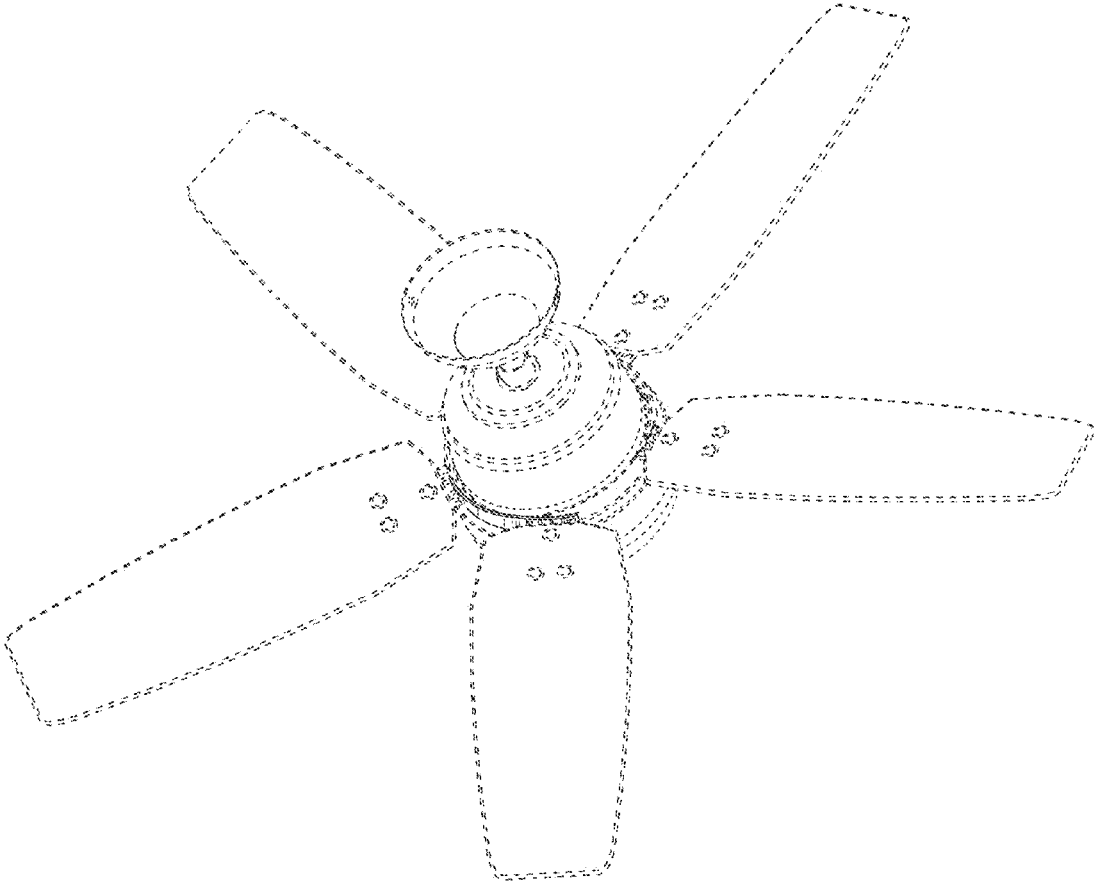


FIG. 1

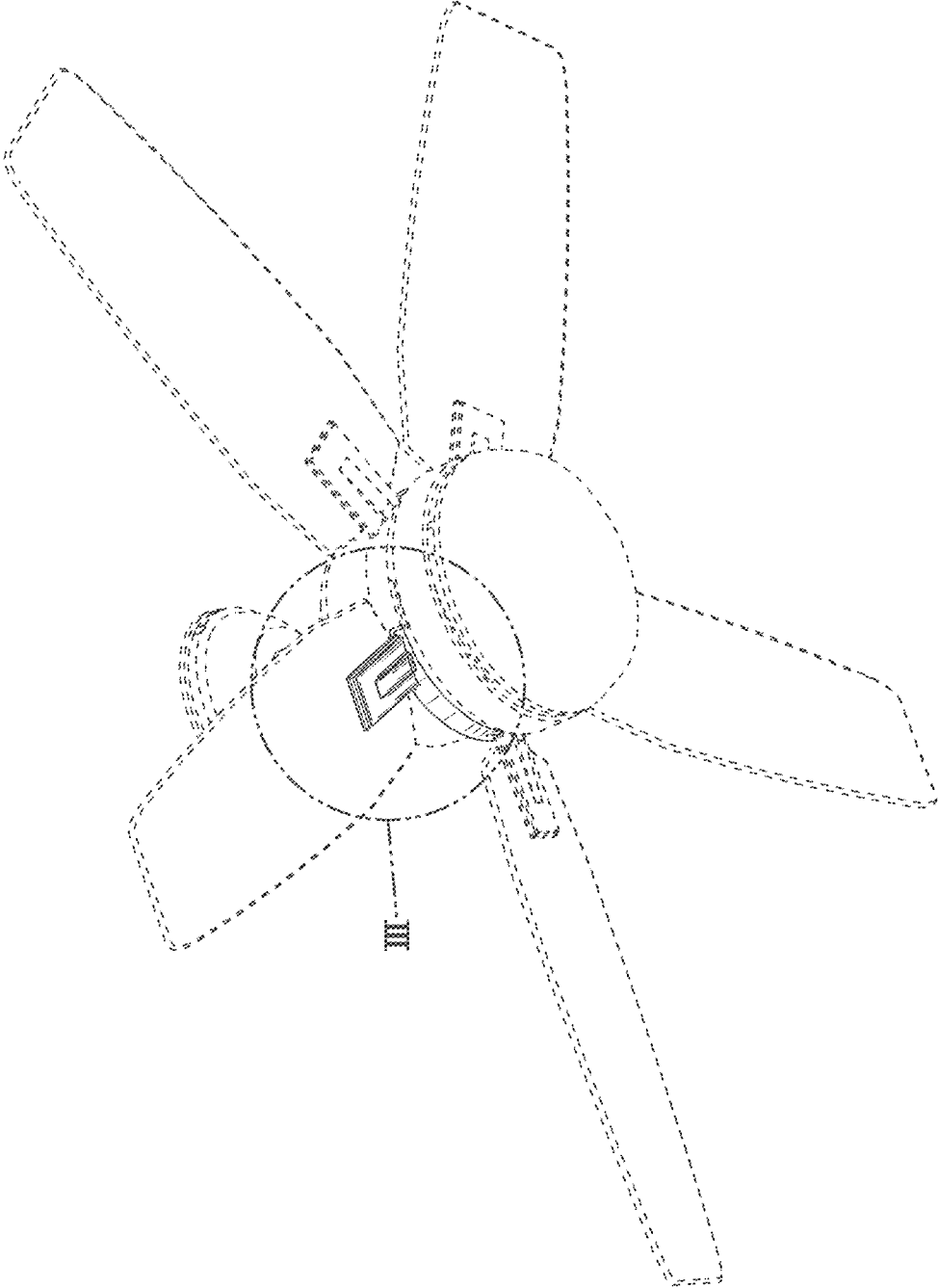


FIG. 2

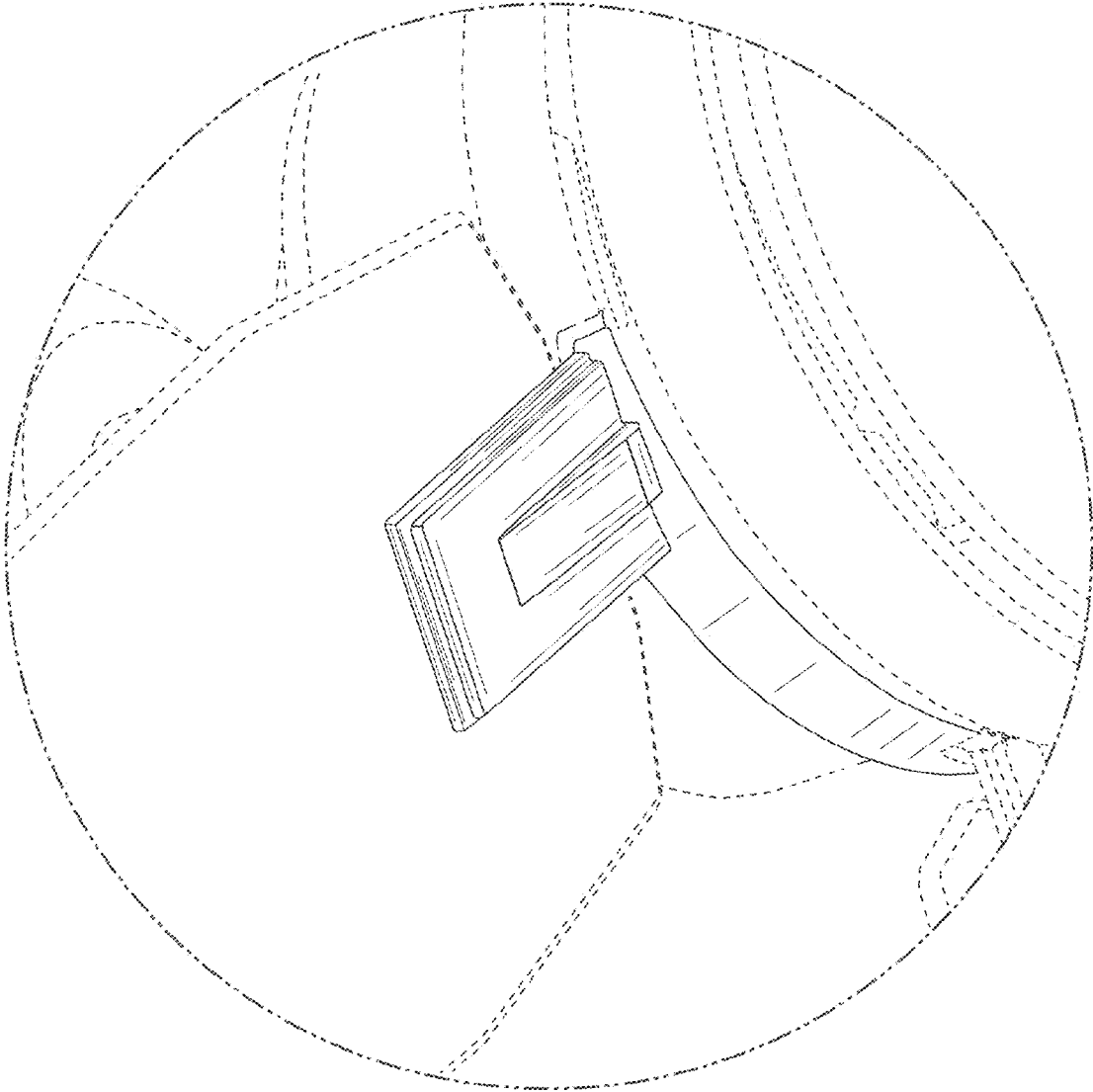


FIG. 3

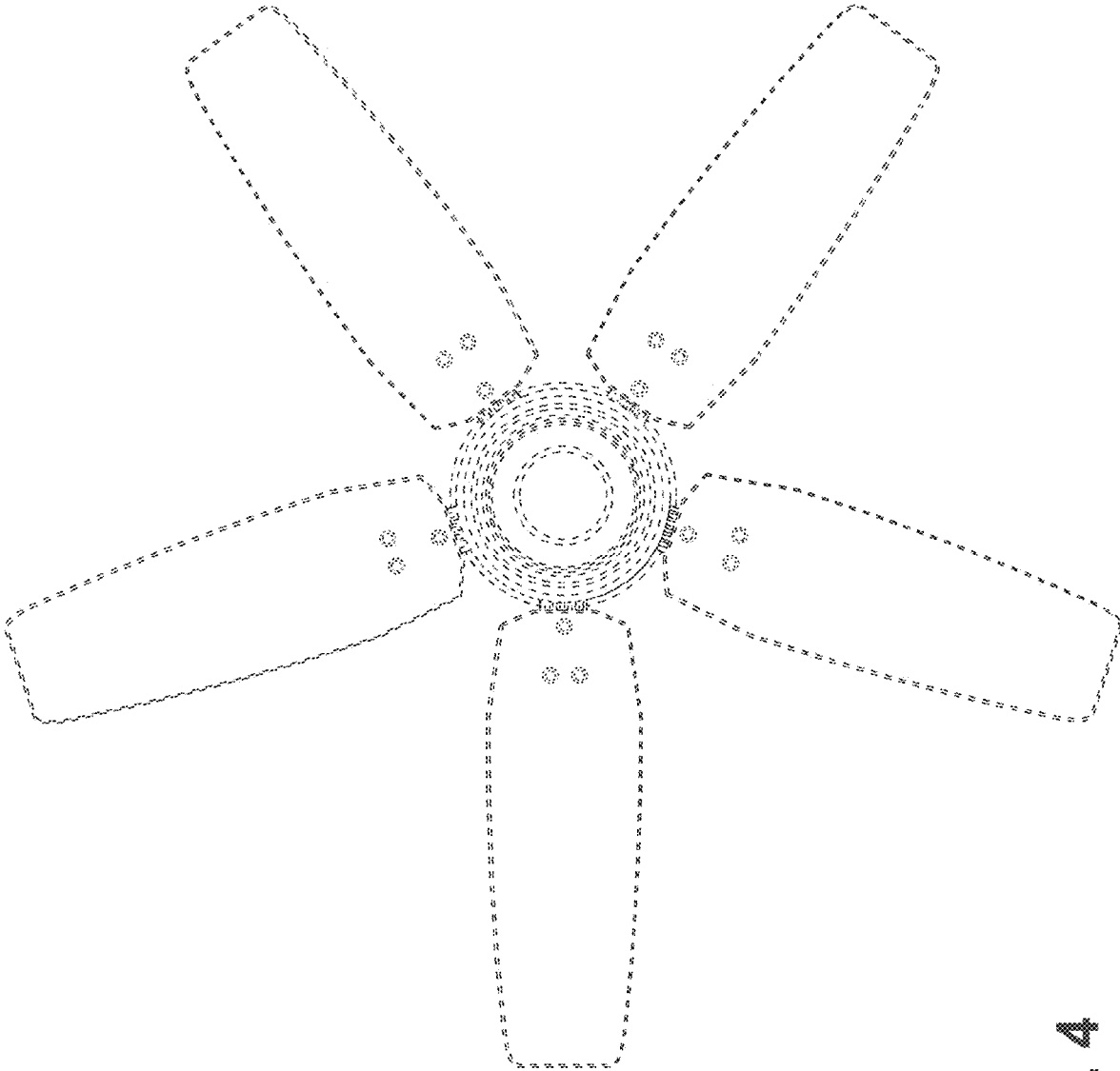


FIG. 4

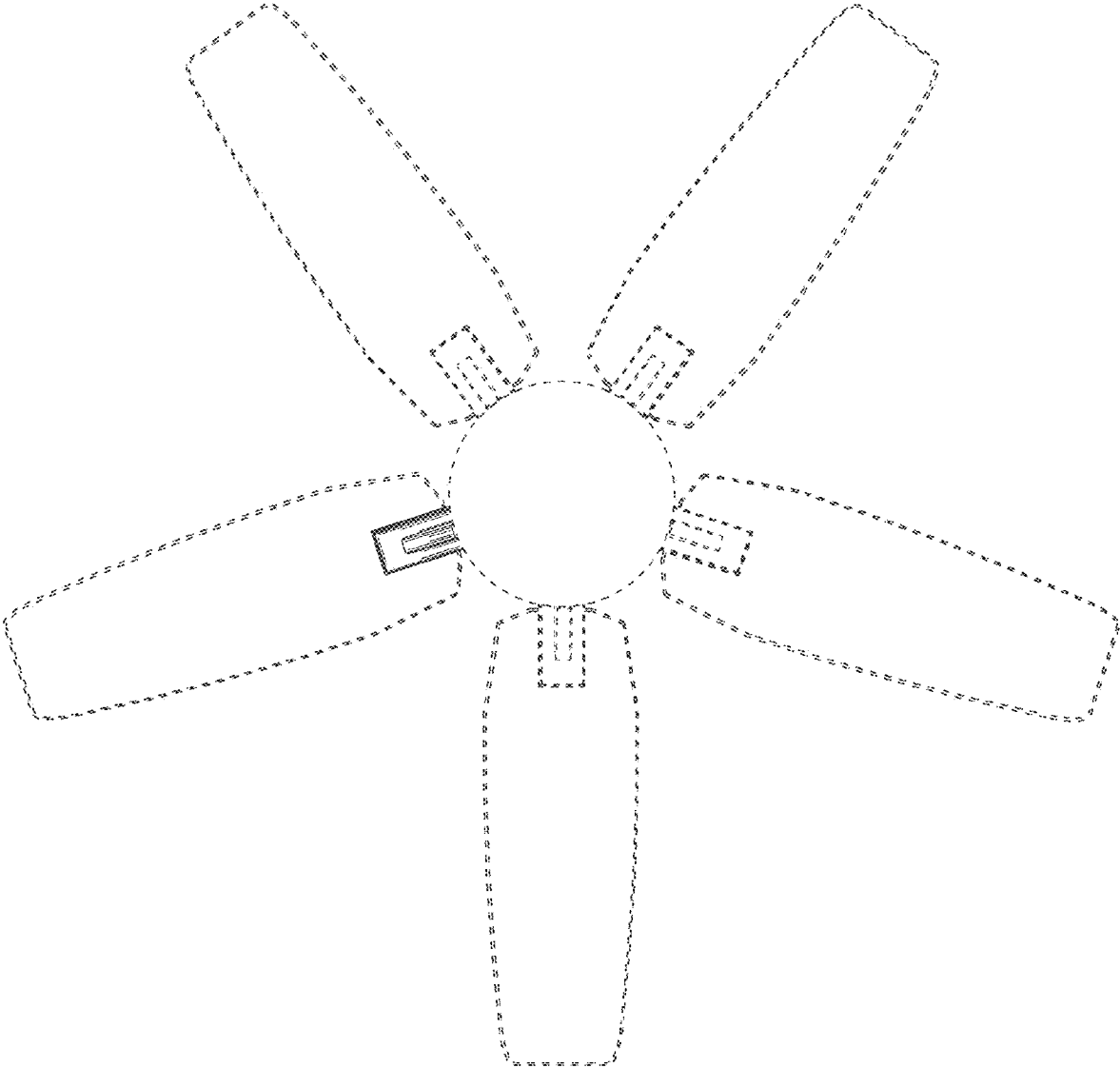


FIG. 5

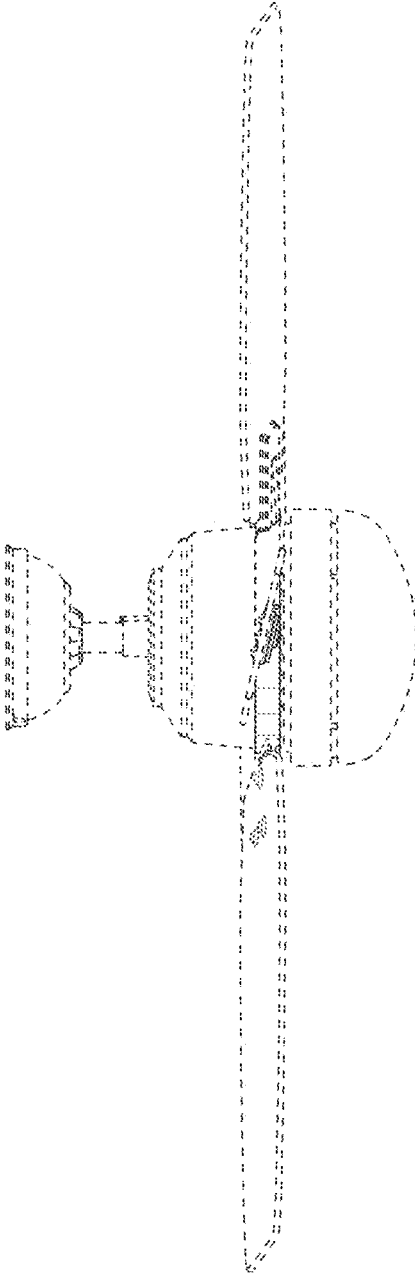


FIG. 6