



US00D536281S

(12) **United States Design Patent**  
**Mouquet**

(10) **Patent No.:** **US D536,281 S**

(45) **Date of Patent:** **\*\* Feb. 6, 2007**

(54) **CLASP**

(75) Inventor: **Philippe Mouquet**, Paris (FR)

(73) Assignee: **Hermes Sellier**, Paris (FR)

(\*\*) Term: **14 Years**

(21) Appl. No.: **29/236,551**

(22) Filed: **Aug. 16, 2005**

(30) **Foreign Application Priority Data**

Feb. 17, 2005	(WO)	.....	DM/066412
Feb. 17, 2005	(WO)	.....	DM/066414
Feb. 17, 2005	(WO)	.....	DM/066470

(51) **LOC (8) Cl.** ..... **02-07**

(52) **U.S. Cl.** ..... **D11/234**

(58) **Field of Classification Search** ..... D11/231-237;  
D10/31-33; 24/163 R, 170, 185, 188, 191-193,  
24/197, 199

See application file for complete search history.

(56) **References Cited**

**U.S. PATENT DOCUMENTS**

D97,766 S \* 12/1935 Freysinger ..... D11/236

D296,536 S	*	7/1988	Lovato	.....	D11/237
D515,944 S	*	2/2006	Ohki	.....	D10/32
D523,377 S	*	6/2006	Mouquet	.....	D11/234

\* cited by examiner

*Primary Examiner*—Catherine R. Oliver

(74) *Attorney, Agent, or Firm*—Darby & Darby

(57) **CLAIM**

The ornamental design for clasp, as shown and described.

**DESCRIPTION**

FIG. 1 is a front perspective view of a clasp showing my new design;

FIG. 2 is a front elevation view thereof;

FIG. 3 is a right side elevation view thereof;

FIG. 4 is a rear elevation view thereof;

FIG. 5 is a left side elevation view thereof; and,

FIG. 6 is a top plan view thereof, the bottom being a mirror image thereof.

**1 Claim, 2 Drawing Sheets**

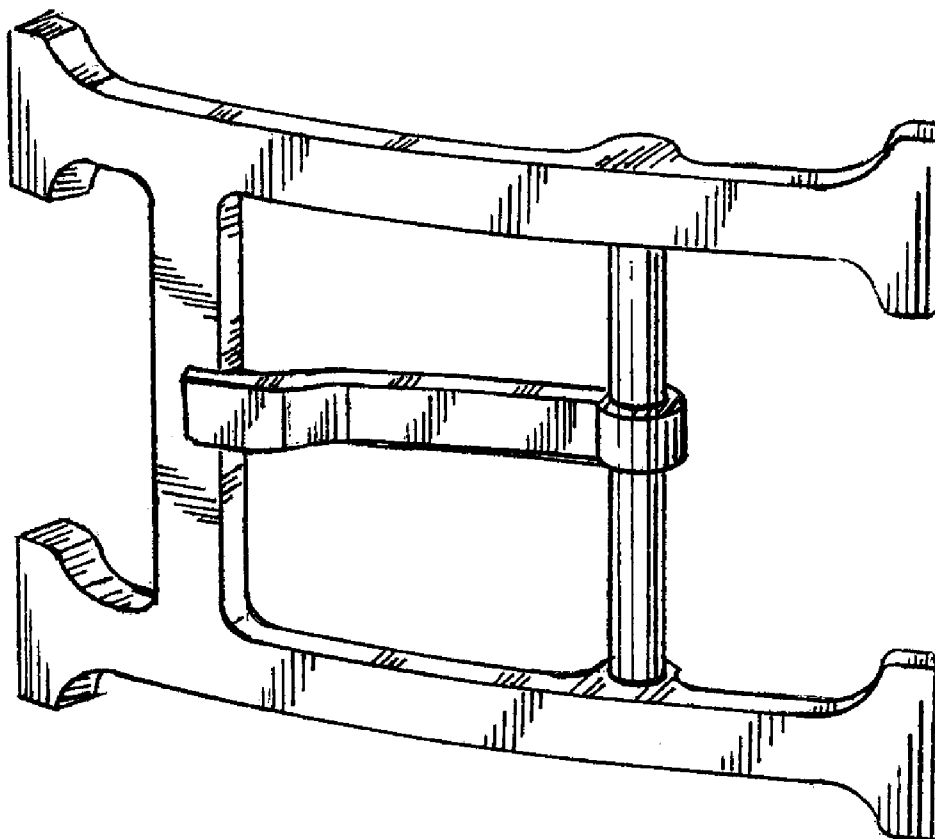


FIGURE 1

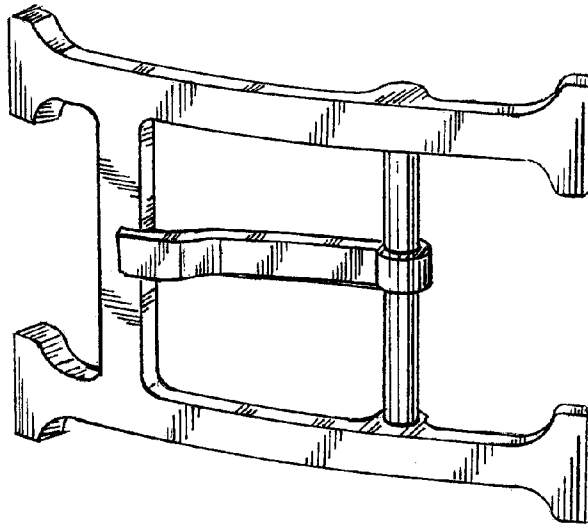


FIGURE 2

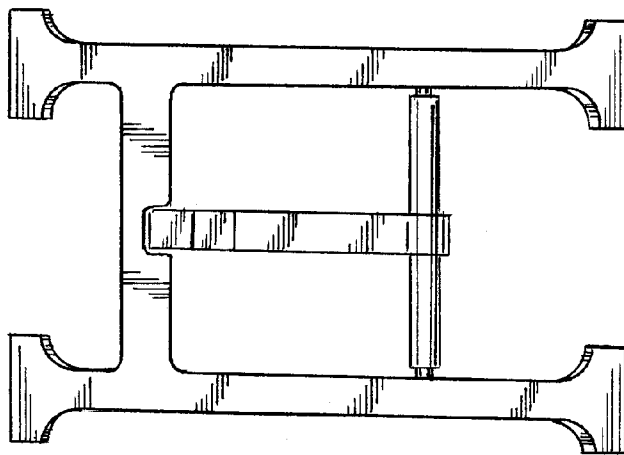


FIGURE 3

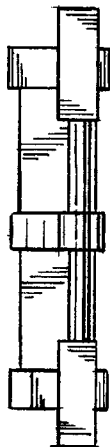


FIGURE 4

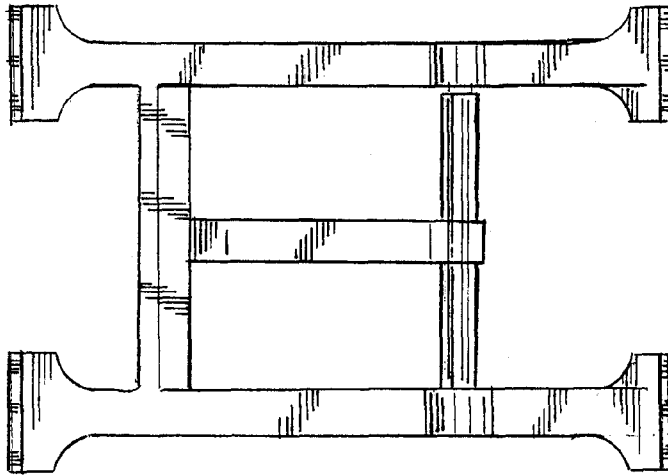


FIGURE 5

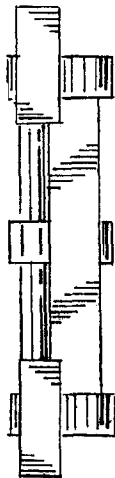


FIGURE 6

