

(12) INTERNATIONAL APPLICATION PUBLISHED UNDER THE PATENT COOPERATION TREATY (PCT)

(19) World Intellectual Property Organization
International Bureau



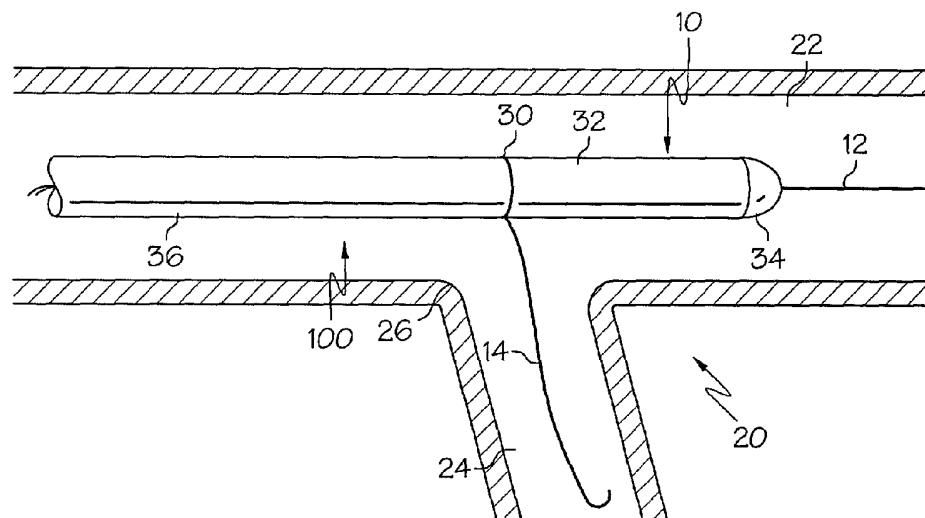
(43) International Publication Date
6 September 2002 (06.09.2002)

PCT

(10) International Publication Number
WO 02/067653 A3

- (51) International Patent Classification⁷: A61F 2/06
- (21) International Application Number: PCT/US02/05823
- (22) International Filing Date: 26 February 2002 (26.02.2002)
- (25) Filing Language: English
- (26) Publication Language: English
- (30) Priority Data:
60/271,595 26 February 2001 (26.02.2001) US
60/271,602 26 February 2001 (26.02.2001) US
60/271,506 26 February 2001 (26.02.2001) US
- (71) Applicant: SCIMED LIFE SYSTEMS, INC. [US/US];
One SCIMED Place, Maple Grove, MN 55311 (US).
- (72) Inventors: BRUCKER, Gregory, G.; * (US).
MALARET, Enrique; *. BANKS, Thomas; *. RED-
MOND, Russ; *. VIDAL, Claude; *.
- (74) Agent: URZEDOWSKI, James, M.; Vidas, Arrett &
Steinkraus, Suite 2000, 6109 Blue Circle Drived, Min-
netonka, MN 55343 (US).
- (81) Designated States (*national*): AE, AG, AL, AM, AT, AU,
AZ, BA, BB, BG, BR, BY, BZ, CA, CH, CN, CO, CR, CU,
CZ, DE, DK, DM, DZ, EC, EE, ES, FI, GB, GD, GE, GH,
GM, HR, HU, ID, IL, IN, IS, JP, KE, KG, KP, KR, KZ, LC,
LK, LR, LS, LT, LU, LV, MA, MD, MG, MK, MN, MW,
MX, MZ, NO, NZ, OM, PH, PL, PT, RO, RU, SD, SE, SG,
SI, SK, SL, TJ, TM, TN, TR, TT, TZ, UA, UG, UZ, VN,
YU, ZA, ZM, ZW.
- (84) Designated States (*regional*): ARIPO patent (GH, GM,
KE, LS, MW, MZ, SD, SL, SZ, TZ, UG, ZM, ZW),
Eurasian patent (AM, AZ, BY, KG, KZ, MD, RU, TJ, TM),
European patent (AT, BE, CH, CY, DE, DK, ES, FI, FR,
GB, GR, IE, IT, LU, MC, NL, PT, SE, TR), OAPI patent
(BF, BJ, CF, CG, CI, CM, GA, GN, GQ, GW, ML, MR,
NE, SN, TD, TG).
- Published:
— with international search report
- (88) Date of publication of the international search report:
13 March 2003
- For two-letter codes and other abbreviations, refer to the "Guidance Notes on Codes and Abbreviations" appearing at the beginning of each regular issue of the PCT Gazette.

(54) Title: BIFURCATED STENT AND DELIVERY SYSTEM



(57) Abstract: Systems for delivering a bifurcated stent to a bifurcation site comprise catheters and/or bifurcated stents delivered therefrom.

WO 02/067653 A3

INTERNATIONAL SEARCH REPORT

International Application No
PCT/US 02/05823

A. CLASSIFICATION OF SUBJECT MATTER
IPC 7 A61F2/06

According to International Patent Classification (IPC) or to both national classification and IPC

B. FIELDS SEARCHED

Minimum documentation searched (classification system followed by classification symbols)
IPC 7 A61F

Documentation searched other than minimum documentation to the extent that such documents are included in the fields searched

Electronic data base consulted during the international search (name of data base and, where practical, search terms used)

EPO-Internal

C. DOCUMENTS CONSIDERED TO BE RELEVANT

| Category ° | Citation of document, with indication, where appropriate, of the relevant passages | Relevant to claim No. |
|------------|--|--------------------------------|
| X A | US 6 056 775 A (RICKARDS ANTHONY ET AL) 2 May 2000 (2000-05-02) column 4, line 40 -column 12, line 51 | 32-35, 37-41 1,22,42 |
| X A | US 5 906 640 A (PENN IAN M ET AL) 25 May 1999 (1999-05-25) column 7, line 14 -column 10, line 29 | 32-34, 37,38 1,22,42 |
| X A | US 6 099 497 A (ADAMS DANIEL O ET AL) 8 August 2000 (2000-08-08) column 3, line 7 - line 31 column 4, line 26 -column 12, line 14 | 22-29 1,32,42 |

Further documents are listed in the continuation of box C.

Patent family members are listed in annex.

° Special categories of cited documents :

- *A* document defining the general state of the art which is not considered to be of particular relevance
- *E* earlier document but published on or after the international filing date
- *L* document which may throw doubts on priority claim(s) or which is cited to establish the publication date of another citation or other special reason (as specified)
- *O* document referring to an oral disclosure, use, exhibition or other means
- *P* document published prior to the international filing date but later than the priority date claimed

- *T* later document published after the international filing date or priority date and not in conflict with the application but cited to understand the principle or theory underlying the invention
- *X* document of particular relevance; the claimed invention cannot be considered novel or cannot be considered to involve an inventive step when the document is taken alone
- *Y* document of particular relevance; the claimed invention cannot be considered to involve an inventive step when the document is combined with one or more other such documents, such combination being obvious to a person skilled in the art.
- *&* document member of the same patent family

Date of the actual completion of the international search

12 November 2002

Date of mailing of the international search report

20/11/2002

Name and mailing address of the ISA

European Patent Office, P.B. 5818 Patentlaan 2
NL - 2280 HV Rijswijk
Tel. (+31-70) 340-2040, Tx. 31 651 epo nl,
Fax: (+31-70) 340-3016

Authorized officer

Mary, C

INTERNATIONAL SEARCH REPORT

 International Application No.
 PCT/US 02/05823

| C.(Continuation) DOCUMENTS CONSIDERED TO BE RELEVANT | | |
|--|---|-----------------------|
| Category ° | Citation of document, with indication, where appropriate, of the relevant passages | Relevant to claim No. |
| P, X | US 2001/037116 A1 (BIGUS STEVE ET AL) 1 November 2001 (2001-11-01) figure 36B paragraph '0151! | 42 |
| A | ----- | 1, 22, 32 |
| X | US 6 183 509 B1 (DIBIE ALAIN) 6-February 2001 (2001-02-06) column 2, line 56 -column 8, line 5 | 32-35, 37, 38 |
| A | ----- | 1, 22, 42 |
| A | WO 00 71055 A (SHANLEY JOHN F ; CONOR MEDSYSTEMS INC (US)) 30 November 2000 (2000-11-30) page 5, line 20 -page 12, line 15 | 1, 22, 32, 42 |
| P, A | WO 01 70299 A (ADVANCED STENT TECHNOLOGIES L) 27 September 2001 (2001-09-27) page 8, line 30 -page 14, line 30 | 1, 22, 32, 42 |

FURTHER INFORMATION CONTINUED FROM PCT/ISA/ 210

This International Searching Authority found multiple (groups of) inventions in this international application, as follows:

1. Claims: 1-21

A system for deploying a bifurcated stent comprising a catheter, a housing with a split region, the bifurcated stent being released through the split region.

2. Claims: 22-31

A stent-delivery system comprising a catheter with two angioplasty balloons, and two stent delivery balloons

3. Claims: 32-41

A bifurcated stent with two sections with an articulated arrangement between the two sections.

4. Claim : 42

A bifurcated stent with a first and a second stent sections, in the deployed state, the secondary stent section being deployed into a secondary vessel of the bifurcation site and the first section extending across the secondary vessel but not substantially beyond the carina of the bifurcation site.

INTERNATIONAL SEARCH REPORT

International application No.
PCT/US 02/05823

Box I Observations where certain claims were found unsearchable (Continuation of item 1 of first sheet)

This International Search Report has not been established in respect of certain claims under Article 17(2)(a) for the following reasons:

1. Claims Nos.:
because they relate to subject matter not required to be searched by this Authority, namely:

2. Claims Nos.:
because they relate to parts of the International Application that do not comply with the prescribed requirements to such an extent that no meaningful International Search can be carried out, specifically:

3. Claims Nos.:
because they are dependent claims and are not drafted in accordance with the second and third sentences of Rule 6.4(a).

Box II Observations where unity of invention is lacking (Continuation of item 2 of first sheet)

This International Searching Authority found multiple inventions in this international application, as follows:

see additional sheet

1. As all required additional search fees were timely paid by the applicant, this International Search Report covers all searchable claims.
2. As all searchable claims could be searched without effort justifying an additional fee, this Authority did not invite payment of any additional fee.
3. As only some of the required additional search fees were timely paid by the applicant, this International Search Report covers only those claims for which fees were paid, specifically claims Nos.:
4. No required additional search fees were timely paid by the applicant. Consequently, this International Search Report is restricted to the invention first mentioned in the claims; it is covered by claims Nos.:

Remark on Protest

- The additional search fees were accompanied by the applicant's protest.
- No protest accompanied the payment of additional search fees.

INTERNATIONAL SEARCH REPORT

 Inter al Application No
 PCT/US 02/05823

| Patent document cited in search report | | Publication date | | Patent family member(s) | Publication date |
|--|---------------|------------------|----|-------------------------|------------------|
| US 6056775 | A | 02-05-2000 | IT | B0960294 A1 | 01-12-1997 |
| | | | IT | B0970228 A1 | 16-10-1998 |
| | | | AU | 2785597 A | 05-01-1998 |
| | | | BR | 9702255 A | 17-02-1999 |
| | | | EP | 0844853 A1 | 03-06-1998 |
| | | | JP | 11509767 T | 31-08-1999 |
| | | | WO | 9745073 A1 | 04-12-1997 |
| US 5906640 | A | 25-05-1999 | CA | 2134997 A1 | 04-05-1996 |
| | | | AT | 166783 T | 15-06-1998 |
| | | | AU | 3678599 A | 28-10-1999 |
| | | | AU | 3739795 A | 31-05-1996 |
| | | | WO | 9614028 A1 | 17-05-1996 |
| | | | CZ | 9701329 A3 | 17-12-1997 |
| | | | DE | 69502817 D1 | 09-07-1998 |
| | | | DE | 69502817 T2 | 25-02-1999 |
| | | | DK | 751752 T3 | 22-03-1999 |
| | | | EP | 0751752 A1 | 08-01-1997 |
| | | | EP | 0847734 A2 | 17-06-1998 |
| | | | ES | 2119487 T3 | 01-10-1998 |
| | | | GR | 3027774 T3 | 30-11-1998 |
| | | | HK | 1009322 A1 | 28-05-1999 |
| | | | JP | 10508234 T | 18-08-1998 |
| | | | RU | 2180198 C2 | 10-03-2002 |
| | | | US | 6099560 A | 08-08-2000 |
| US | 5755771 A | 26-05-1998 | | | |
| US 6099497 | A | 08-08-2000 | CA | 2321040 A1 | 10-09-1999 |
| | | | EP | 1065994 A2 | 10-01-2001 |
| | | | JP | 2002505148 T | 19-02-2002 |
| | | | WO | 9944539 A2 | 10-09-1999 |
| US 2001037116 | A1 | 01-11-2001 | US | 6361544 B1 | 26-03-2002 |
| | | | US | 6165195 A | 26-12-2000 |
| | | | AU | 1798701 A | 12-06-2001 |
| | | | EP | 1233726 A1 | 28-08-2002 |
| | | | WO | 0139697 A1 | 07-06-2001 |
| | | | US | 2001029396 A1 | 11-10-2001 |
| | | | DE | 69806550 D1 | 22-08-2002 |
| | | | EP | 1199052 A2 | 24-04-2002 |
| | | | EP | 0897700 A1 | 24-02-1999 |
| | | | JP | 11057019 A | 02-03-1999 |
| | | | US | 6221090 B1 | 24-04-2001 |
| | | | US | 6264682 B1 | 24-07-2001 |
| | | | US | 6221098 B1 | 24-04-2001 |
| US | 2001037138 A1 | 01-11-2001 | | | |
| US 6183509 | B1 | 06-02-2001 | FR | 2733682 A1 | 08-11-1996 |
| | | | AU | 709513 B2 | 02-09-1999 |
| | | | AU | 5345096 A | 21-11-1996 |
| | | | CA | 2220141 A1 | 07-11-1996 |
| | | | EP | 0957818 A1 | 24-11-1999 |
| | | | WO | 9634580 A1 | 07-11-1996 |
| | | | JP | 11504824 T | 11-05-1999 |
| | | | US | 2001039448 A1 | 08-11-2001 |
| | | | US | 6346089 B1 | 12-02-2002 |
| WO 0071055 | A | 30-11-2000 | US | 6290673 B1 | 18-09-2001 |

INTERNATIONAL SEARCH REPORT

International Application No
PCT/US 02/05823

| Patent document cited in search report | Publication date | Patent family member(s) | Publication date |
|--|------------------|-------------------------|------------------|
| WO 0071055 A | | AU 4850200 A | 12-12-2000 |
| | | EP 1185214 A1 | 13-03-2002 |
| | | WO 0071055 A1 | 30-11-2000 |
| | | US 2001027291 A1 | 04-10-2001 |
| ----- | | | |
| WO 0170299 A | 27-09-2001 | AU 5296601 A | 03-10-2001 |
| | | WO 0170299 A2 | 27-09-2001 |
| | | US 2001044622 A1 | 22-11-2001 |
| ----- | | | |