



US00D771017S

(12) **United States Design Patent** (10) **Patent No.:** **US D771,017 S**
Sasaki et al. (45) **Date of Patent:** **** Nov. 8, 2016**

(54) **SPEAKER**

(71) Applicant: **JVC KENWOOD Corporation**,
Yokohama-shi, Kanagawa (JP)
(72) Inventors: **Yuzuko Sasaki**, Yokohama (JP);
Makoto Gondo, Yokohama (JP)
(73) Assignee: **JVC KENWOOD CORPORATION**,
Yokohama-Shi, Kanagawa (JP)

(**) Term: **15 Years**

(21) Appl. No.: **29/530,678**

(22) Filed: **Jun. 18, 2015**

(51) **LOC (10) Cl.** **14-03**

(52) **U.S. Cl.**
USPC **D14/214**

(58) **Field of Classification Search**
USPC D14/167, 168, 170–172, 188, 194–196,
D14/204, 207, 209.1, 210–216, 219, 221,
D14/222, 224, 239, 496; 181/143, 144, 147,
181/148, 150, 153, 157, 198, 199;
381/300–303, 306, 332, 333, 336, 345,
381/361–364, 386–388; 369/6–12
CPC ... B60R 11/0217; G06F 1/1688; G10K 9/22;
G10K 11/004; H03F 1/327; H04M 1/03;
H04M 1/035; H04N 5/642; H04N 21/4852;
H04R 1/02; H04R 1/06; H04R 1/021; H04R
1/025; H04R 1/026; H04R 1/028; H04R
1/105; H04R 1/323; H04R 1/403; H04R
1/2803; H04R 1/2834; H04R 5/02; H04R
7/20; H04R 9/06; H04R 9/025; H04R
2201/021; H04R 2400/00; H04R 2400/07;
H04R 2499/11; H04R 2499/13; H04R
2499/15; H04S 3/00; H04S 7/30

See application file for complete search history.

(56) **References Cited**

U.S. PATENT DOCUMENTS

D275,946 S *	10/1984	Ekuan	D13/116
D620,923 S *	8/2010	Orfali	D14/168
D629,785 S *	12/2010	Yachida	D14/155
D674,764 S *	1/2013	Suzuki	D14/188
D690,738 S *	10/2013	York	D14/188
D692,848 S *	11/2013	Poandl	D14/172
D730,359 S *	5/2015	Fustino	D14/434
D732,080 S *	6/2015	Xin	D14/188

* cited by examiner

Primary Examiner — Keli L Hill

(74) *Attorney, Agent, or Firm* — Nath, Goldberg &
Meyer; Jerald L. Meyer

(57) **CLAIM**

The ornamental design for a speaker, as shown and described.

DESCRIPTION

FIG. 1 is a perspective of a speaker, embodying our new design;
FIG. 2 is a front elevation view thereof;
FIG. 3 is a rear elevation view thereof;
FIG. 4 is a left side elevation view thereof;
FIG. 5 is a right side elevation view thereof;
FIG. 6 is a top plan view thereof; and,
FIG. 7 is a bottom plan view thereof.
The broken lines shown are included for the purpose of illustrating portions of the speaker that form no part of the claim.

1 Claim, 7 Drawing Sheets

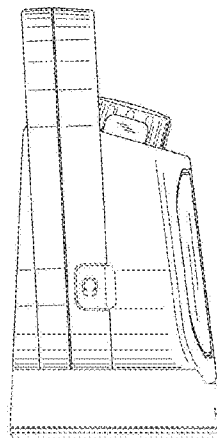
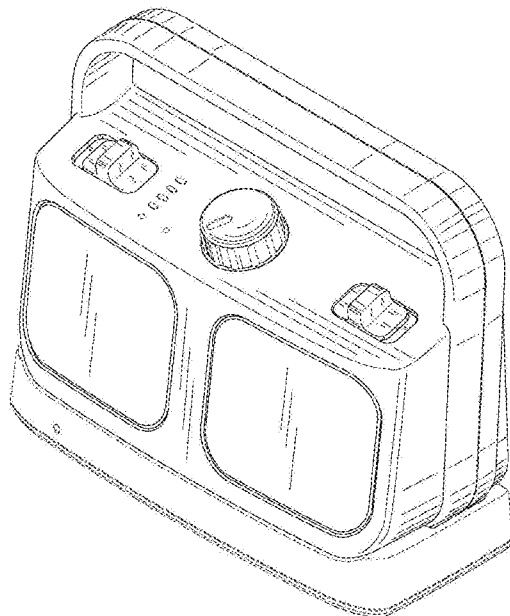


FIG. 1

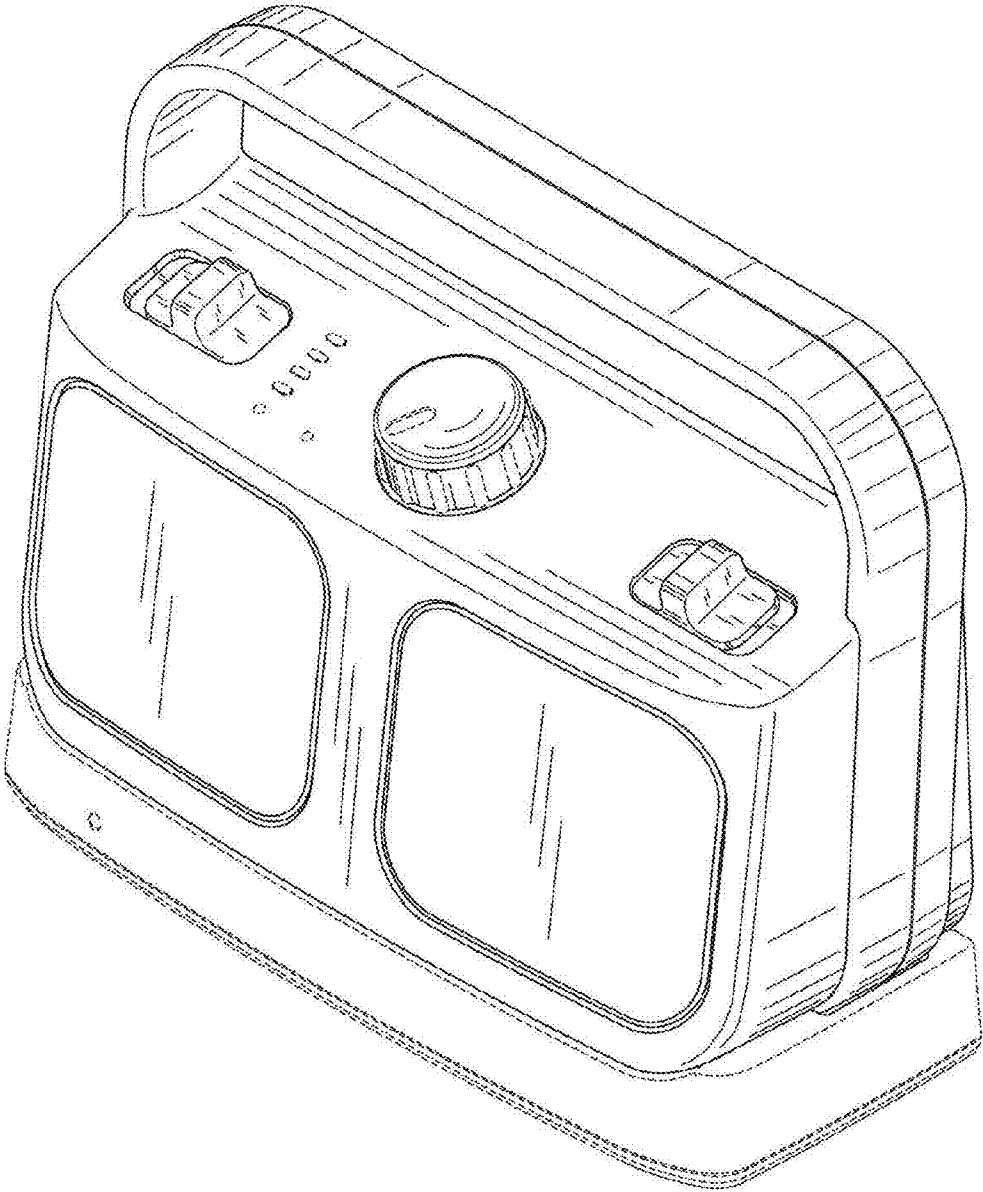


FIG. 2

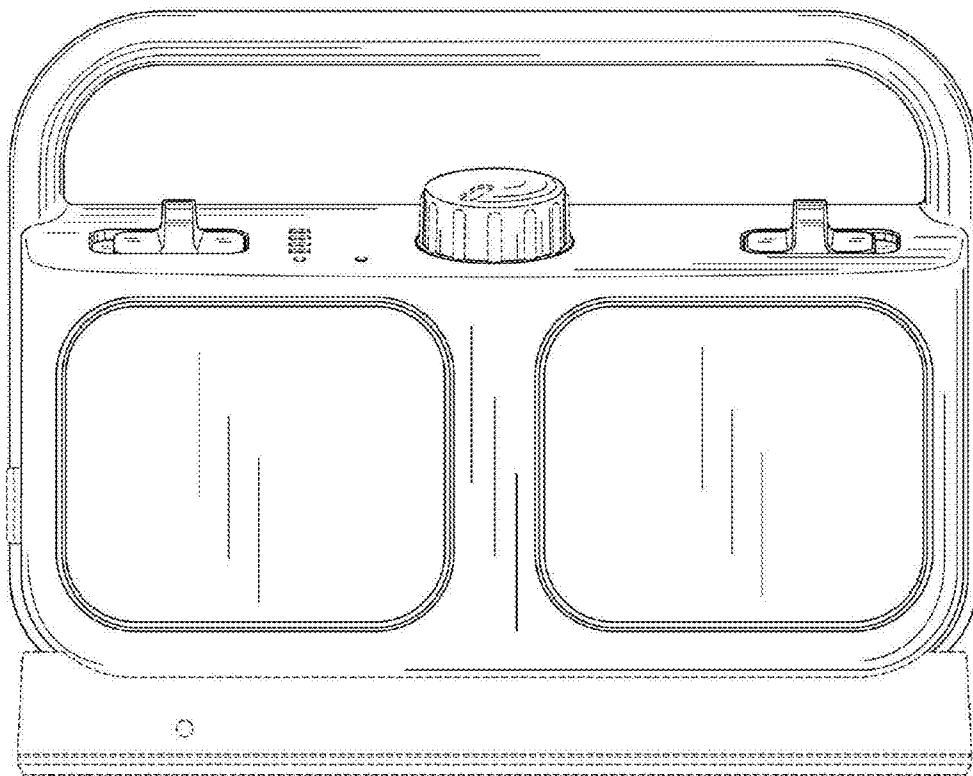


FIG. 3

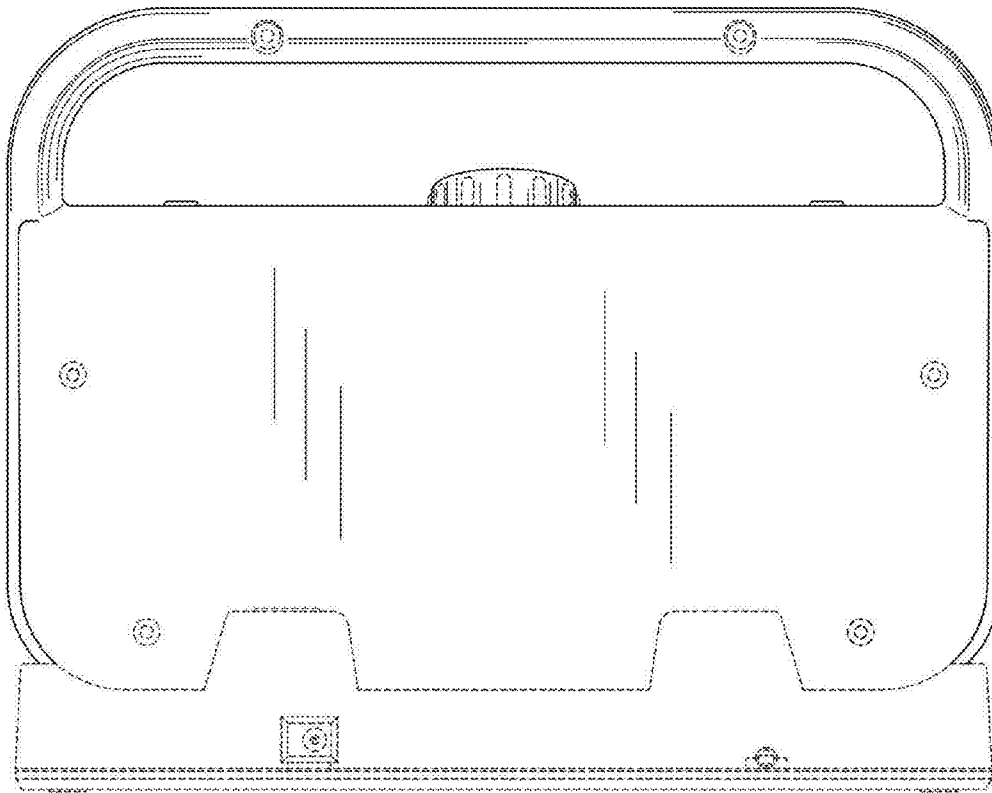


FIG. 4

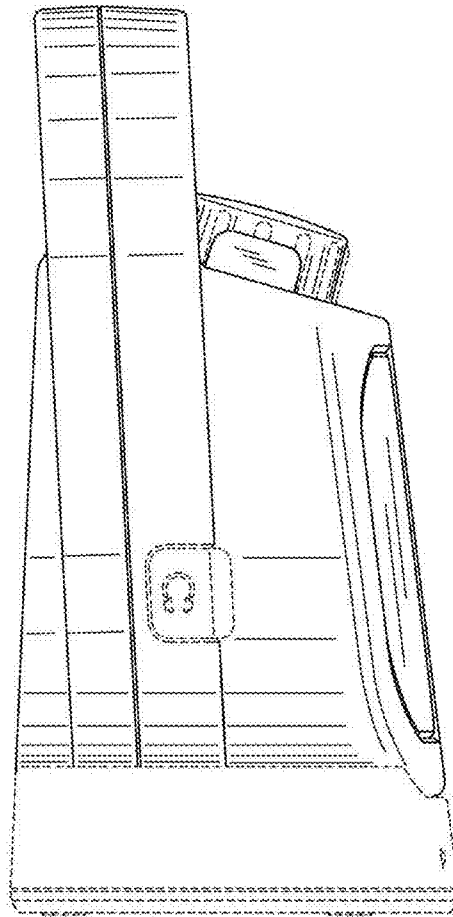


FIG. 5

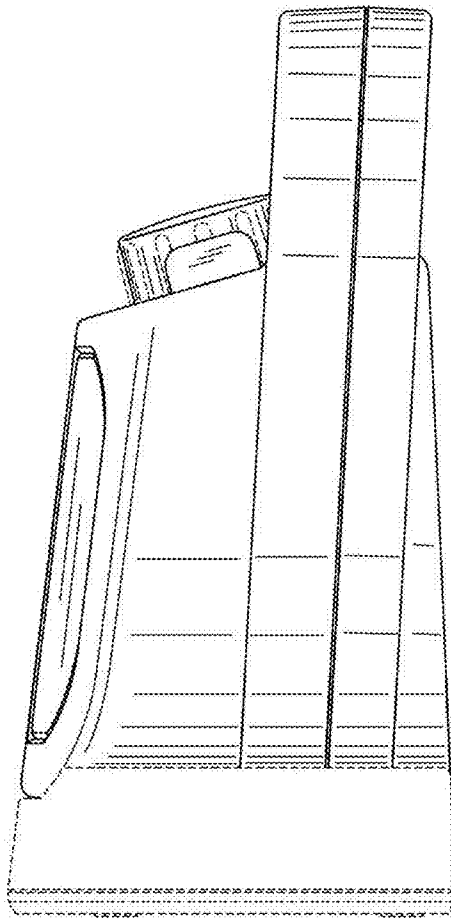


FIG. 6

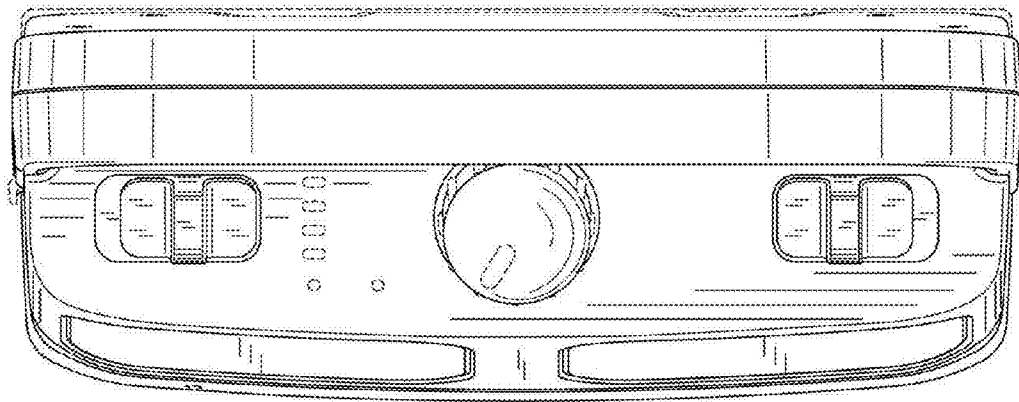


FIG. 7

