



US00D424116S

United States Patent [19]

[11] Patent Number: **Des. 424,116**

You

[45] Date of Patent: **** May 2, 2000**

[54] **CORRECTION TAPE DISPENSER**

D. 400,923	11/1998	Katami	D19/69
5,430,904	7/1995	Ono et al.	15/104.94
5,512,128	4/1996	Manusch et al.	156/577
5,595,626	1/1997	Yokouchi et al.	156/577

[76] Inventor: **Kwang-Ho You**, Namdong-ku, Inchun-shi, Kyonggi-do, Rep. of Korea

[**] Term: **14 Years**

Primary Examiner—Martie K. Holtje
Attorney, Agent, or Firm—Eugene Lieberstein; Michael N. Meller

[21] Appl. No.: **29/106,585**

[22] Filed: **Jun. 17, 1999**

[57] **CLAIM**

[51] **LOC (7) Cl.** **19-02**

The ornamental design for a correction tape dispenser, as shown and described.

[52] **U.S. Cl.** **D19/69; D19/67**

[58] **Field of Search** D19/65, 66, 67, D19/68, 69, 53, 89, 99, 100; 225/6, 7, 19, 25, 34, 35, 44, 45, 56, 65, 77, 89; 156/510, 327, 527, 577; 242/588-588.6; 15/104.94; 400/248

DESCRIPTION

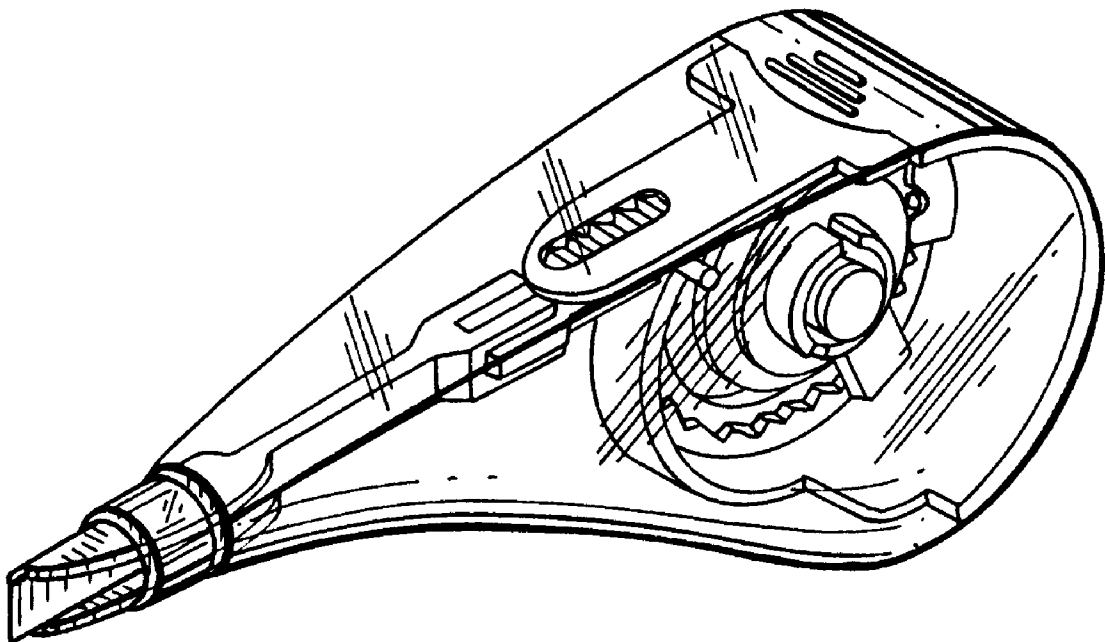
FIG. 1 is a perspective view;
FIG. 2 is a front elevational view thereof;
FIG. 3 is a rear elevational view thereof;
FIG. 4 is a left side elevational view thereof;
FIG. 5 is a right side elevational view thereof;
FIG. 6 is a top plan view thereof;
FIG. 7 is a bottom plan view thereof; and,
FIG. 8 is an exploded perspective view thereof.

[56] **References Cited**

U.S. PATENT DOCUMENTS

D. 355,934	2/1995	Oga et al.	D19/69
D. 369,385	4/1996	Lapointe	D19/69
D. 378,532	3/1997	Suzuki	D19/69

1 Claim, 5 Drawing Sheets



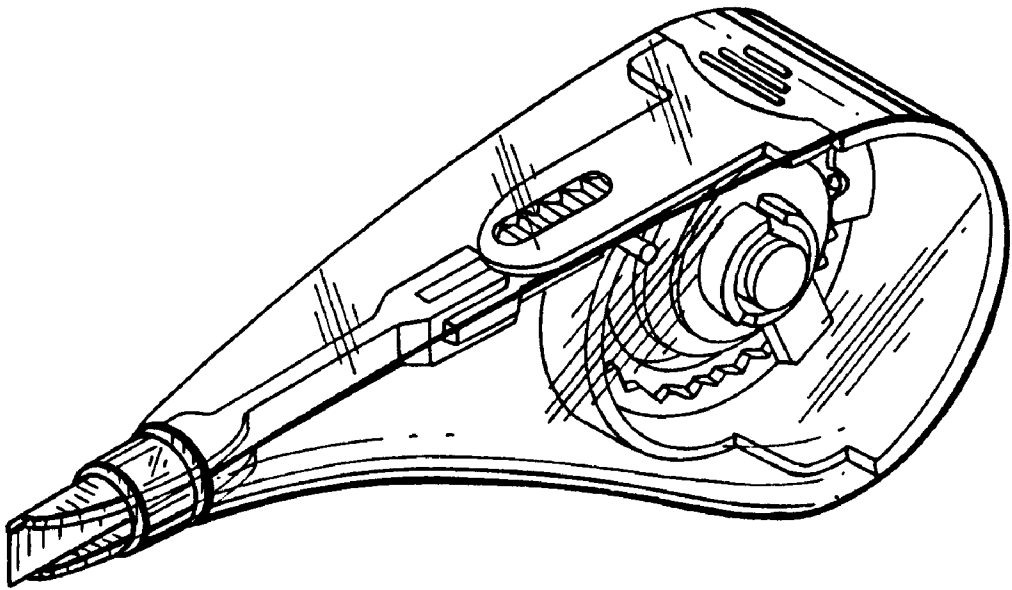


FIG. 1

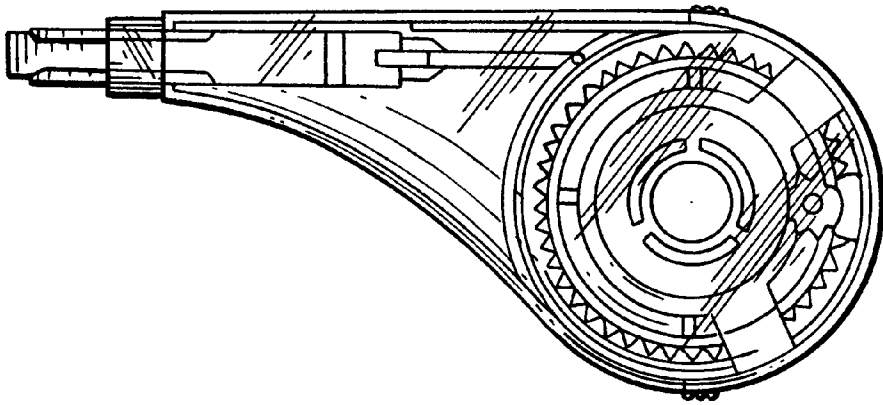


FIG. 2

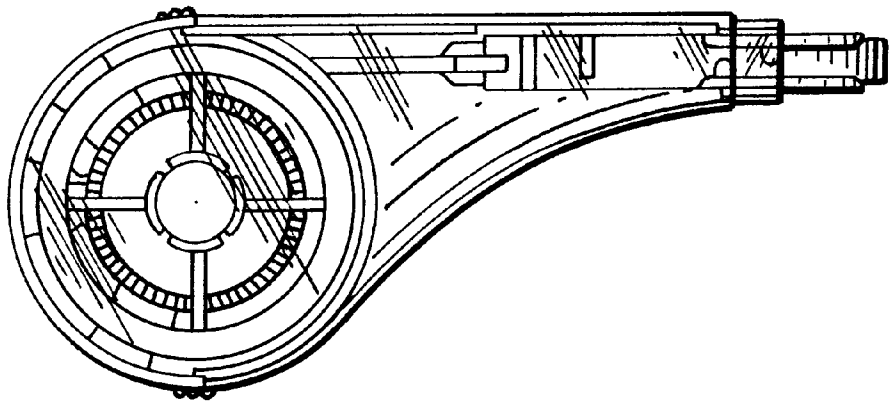


FIG. 3

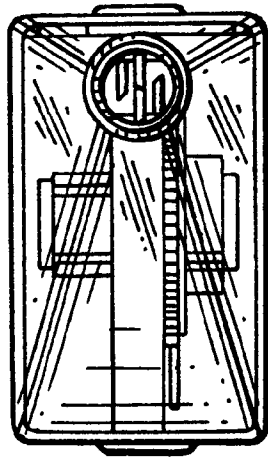


FIG. 4

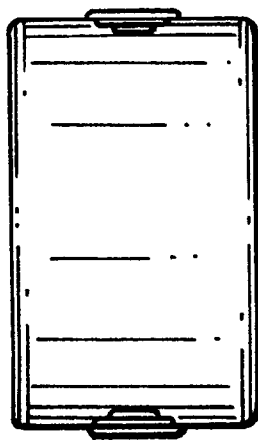


FIG. 5

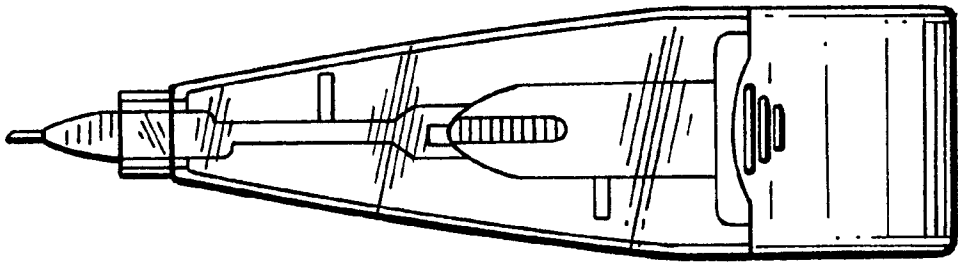


FIG. 6

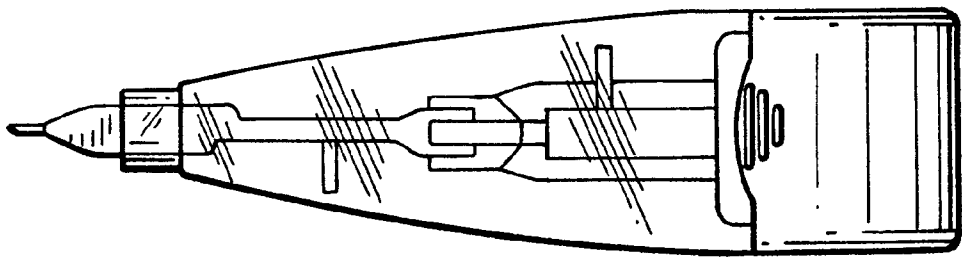


FIG. 7

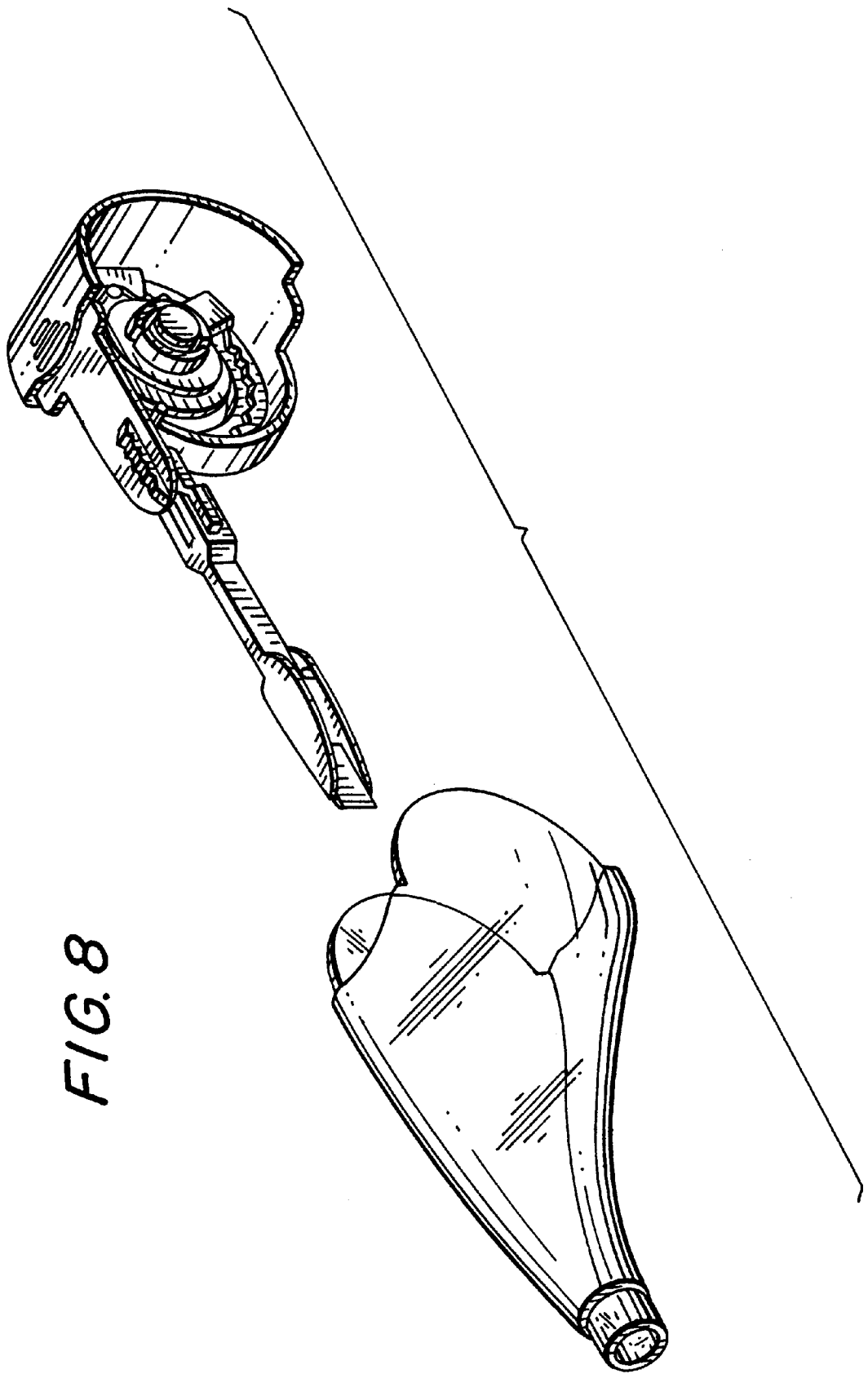


FIG. 8