



US00D887203S

(12) **United States Design Patent**
Pan

(10) **Patent No.:** **US D887,203 S**

(45) **Date of Patent:** **** Jun. 16, 2020**

(54) **CUP LID**

(71) Applicant: **Wei-Chih Pan**, Taoyuan (TW)

(72) Inventor: **Wei-Chih Pan**, Taoyuan (TW)

(**) Term: **15 Years**

(21) Appl. No.: **29/660,622**

(22) Filed: **Aug. 22, 2018**

(51) **LOC (12) Cl.** **07-99**

(52) **U.S. Cl.**

USPC **D7/396.2**

(58) **Field of Classification Search**

USPC D3/202; D7/500, 509, 510, 550.1, 553.1,
D7/553.2, 553.6, 354, 357, 387, 388, 391,
D7/392, 392.1, 396.1, 396.2, 396.3,
D7/396.6, 397; D9/758, 761, 424, 432,
D9/430, 434, 435, 455, 456, 447, 449,
D9/450, 452, 453
CPC A47G 19/2272; B65D 43/02; B65D
43/0214; B65D 43/0202; B65D 41/34;
B65D 53/02; B65D 50/041; B65D
2501/00; B65D 2501/0009; B65D 47/06;
B65D 47/36; B65D 47/247; B65D
47/265; B65D 47/283; B65D 47/08;
B65D 47/065; B65D 47/361; A61J 1/16;
F16B 47/00

See application file for complete search history.

(56) **References Cited**

U.S. PATENT DOCUMENTS

6,419,112 B1 * 7/2002 Bruce B65D 21/0219
206/509
D516,424 S * 3/2006 Schweigert D9/447
D543,777 S * 6/2007 Seum D7/392.1
D570,213 S * 6/2008 Newman D9/447
D615,861 S * 5/2010 Watts D9/445
D666,052 S * 8/2012 Trombly D7/392.1
D666,490 S * 9/2012 Leon D9/447

D696,941 S * 1/2014 Kim D9/447
D696,942 S * 1/2014 Kim D9/447
D722,498 S * 2/2015 Fleming D9/447
D736,623 S * 8/2015 Brannock D9/447
D754,535 S * 4/2016 Kim D9/435
D756,773 S * 5/2016 Brannock D9/438
D761,104 S * 7/2016 Buck D9/447
D794,449 S * 8/2017 Polt D9/434
D820,678 S * 6/2018 Chapman D9/447
10,219,642 B2 * 3/2019 Savenok A47G 19/2272
10,264,902 B2 * 4/2019 Althaher B65D 43/0214
D859,988 S * 9/2019 Brannock D9/447
2006/0071008 A1 * 4/2006 Sadlier B65D 43/0218
220/713

(Continued)

OTHER PUBLICATIONS

Starbucks Strawless Lid: Announced May 24, 2018 [online]. Site Visited [May 15, 2015]. Available from Internet URL: <https://www.youtube.com/watch?v=zKERYlmkNow>.*

(Continued)

Primary Examiner — Catherine S Posthauer
(74) *Attorney, Agent, or Firm* — Muncy, Geissler, Olds & Lowe, P.C.

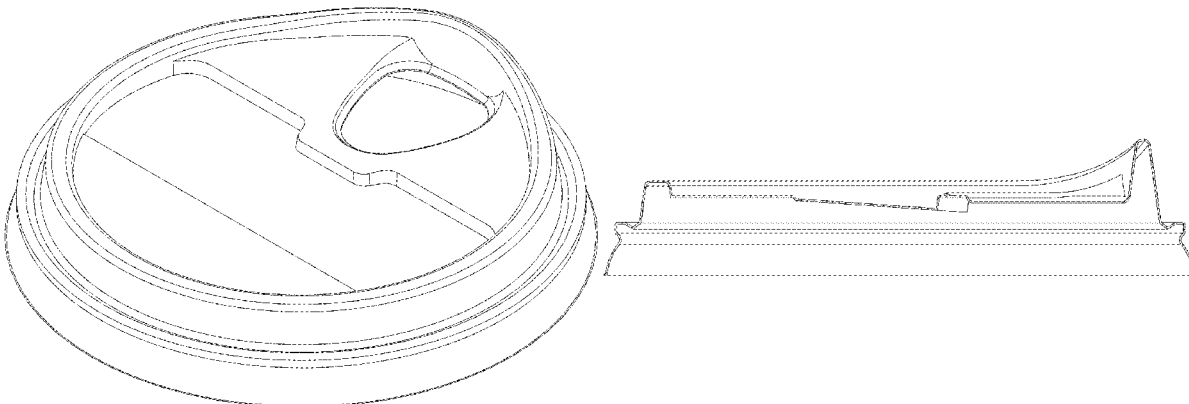
(57) **CLAIM**

The ornamental design for a cup lid, as shown and described.

DESCRIPTION

FIG. 1 is a top perspective view of a cup lid showing my new design;
FIG. 2 is a front elevational view thereof;
FIG. 3 is a rear elevational view thereof;
FIG. 4 is a left side elevational view thereof;
FIG. 5 is a right side elevational view thereof;
FIG. 6 is a top plan view thereof;
FIG. 7 is a bottom plan view thereof; and,
FIG. 8 is a cross-sectional view thereof, taken in the direction of line 8-8 on FIG. 6.

1 Claim, 8 Drawing Sheets



(56)

References Cited

U.S. PATENT DOCUMENTS

2009/0250479 A1* 10/2009 Kaufman A47G 19/2272
220/713
2009/0266829 A1* 10/2009 Bailey B65D 43/0202
220/713
2011/0062158 A1* 3/2011 Hung B65D 51/224
220/212
2011/0114655 A1* 5/2011 Bailey B65D 43/0214
220/713
2012/0152968 A1* 6/2012 Bailey B65D 43/0212
220/713
2013/0233898 A1* 9/2013 Resnikoff B65D 47/06
222/568
2013/0320018 A1* 12/2013 Crosby B65D 41/18
220/345.3
2014/0042177 A1* 2/2014 Fleming B65D 43/02
220/713
2015/0014322 A1* 1/2015 Kim B65D 43/0212
220/373
2017/0275065 A1* 9/2017 Santos, III B65D 51/1611

OTHER PUBLICATIONS

Starbucks Drink Through Lid: Announced Jul. 23, 2018 [online].
Site Visited [Oct. 15, 2019]. Available from Internet URL: <https://www.theguardian.com/business/2018/jul/23/starbucks-straws-ban-2020-environment>.*

* cited by examiner

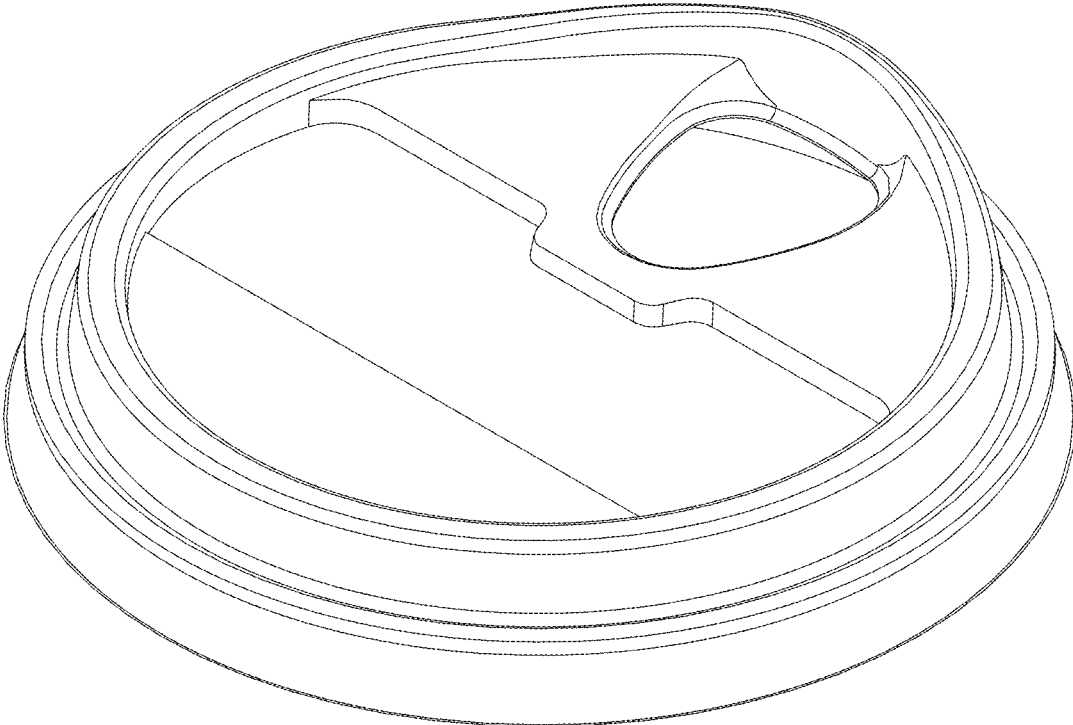


Fig.1

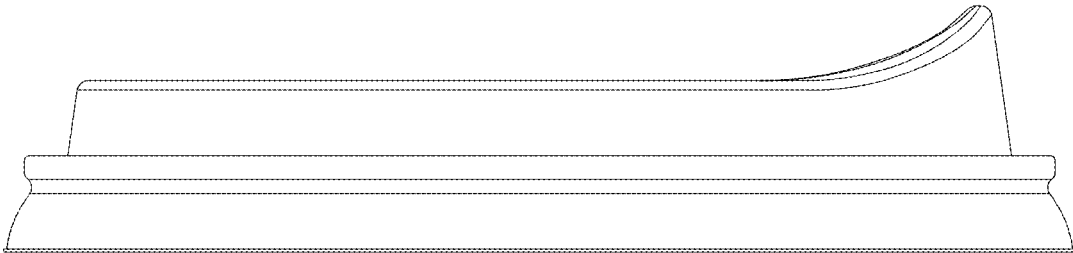


Fig.2

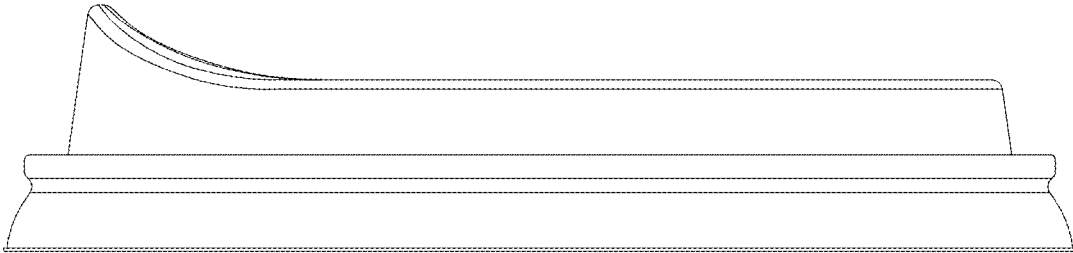


Fig.3

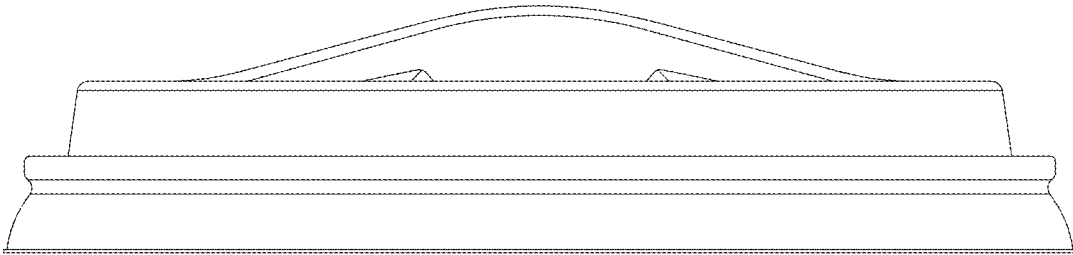


Fig.4

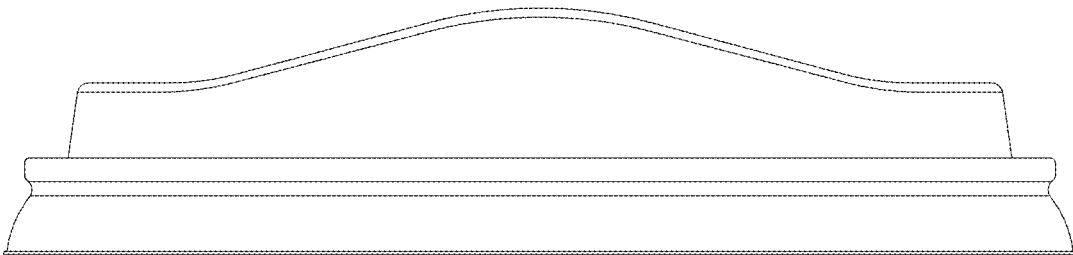


Fig.5

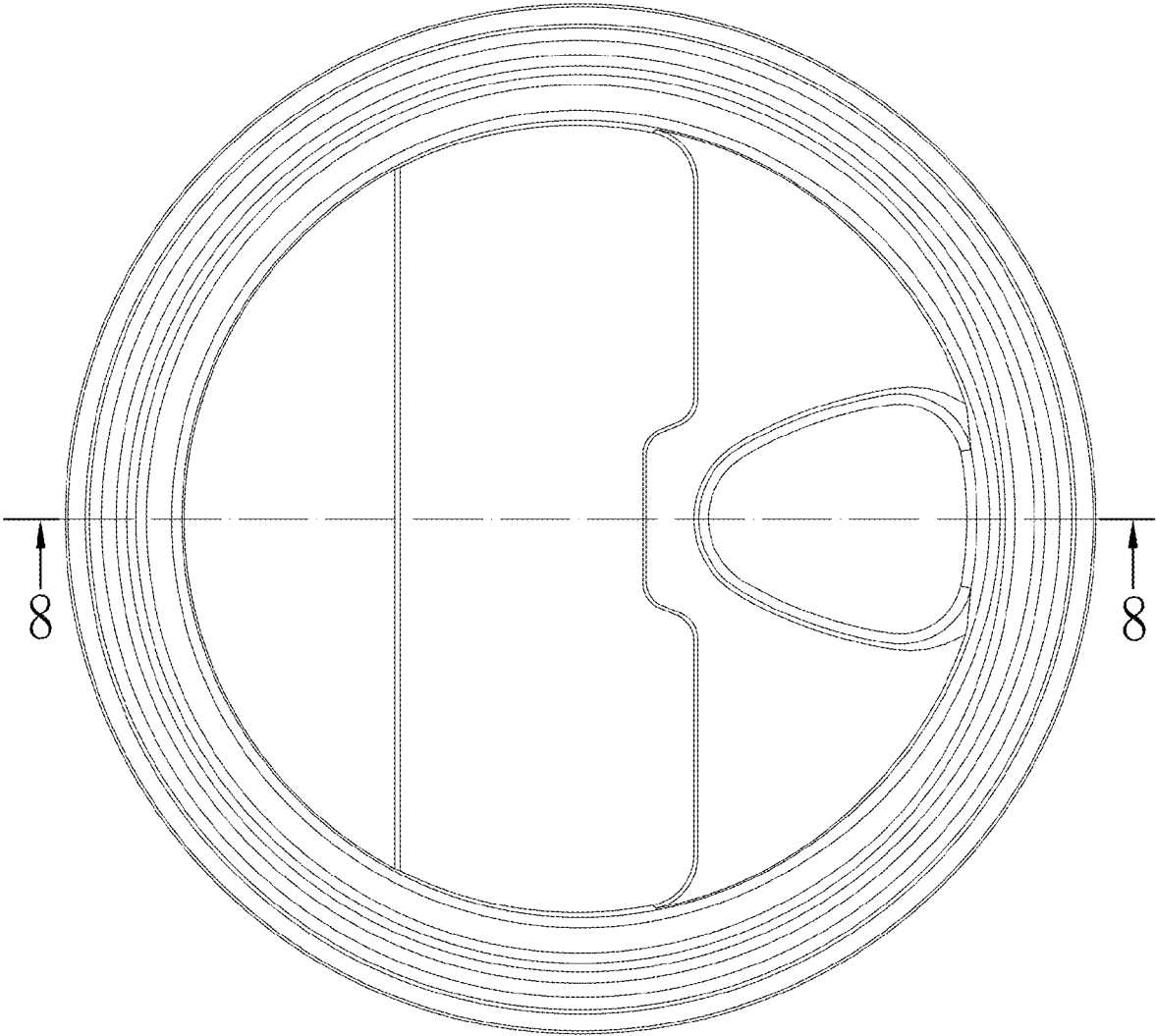


Fig.6

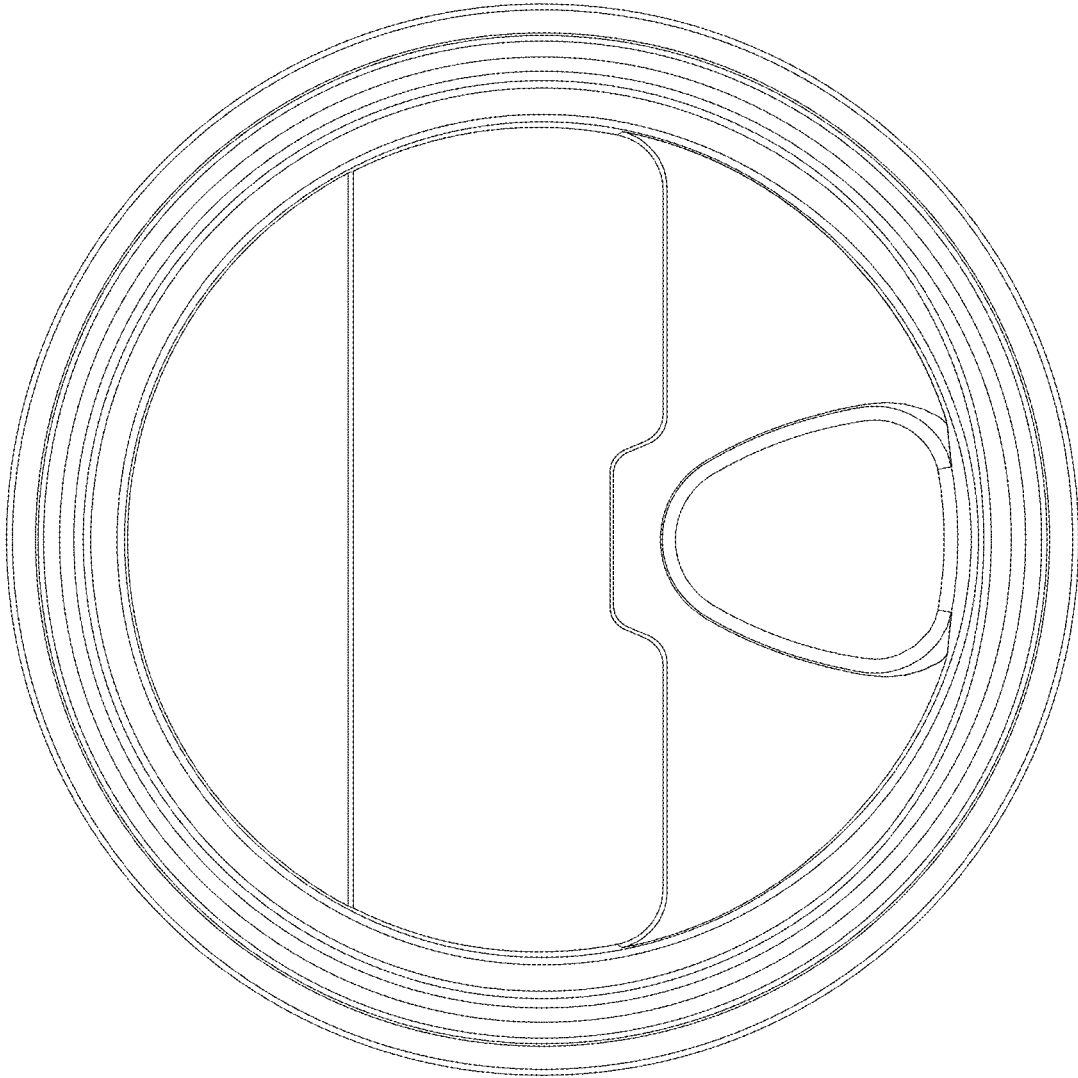


Fig.7

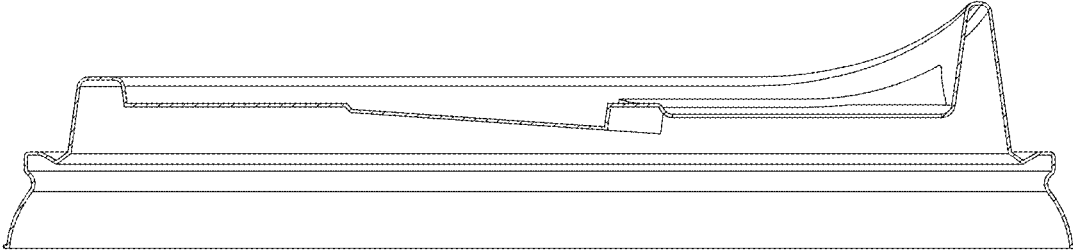


Fig.8