



US00D923626S

(12) **United States Design Patent**
Zhang et al.

(10) **Patent No.:** **US D923,626 S**

(45) **Date of Patent:** **** Jun. 29, 2021**

- (54) **MULTI-FUNCTION CONVERTER**
- (71) Applicant: **UGREEN GROUP LIMITED**,
Shenzhen (CN)
- (72) Inventors: **Qingsen Zhang**, Shenzhen (CN);
Junling Chen, Shenzhen (CN); **Tuo Zhu**, Shenzhen (CN)
- (**) Term: **15 Years**
- (21) Appl. No.: **29/700,406**
- (22) Filed: **Aug. 2, 2019**
- (51) **LOC (13) Cl.** **14-02**
- (52) **U.S. Cl.**
USPC **D14/433; D14/434; D14/457**
- (58) **Field of Classification Search**
USPC ... D14/434, 432, 433, 435, 435.1, 356, 357,
D14/358, 251–253, 217, 299, 496, 169;
D13/103, 107, 108, 184, 110, 123, 133,
D13/135, 179; D21/324, 332, 333
CPC G06F 1/16; G06F 1/1632; G06F 1/266;
G06F 13/00; G06F 13/38; G06F 13/382;
G06F 13/385; G06F 13/387; G06F 3/065;
G06F 9/541; G06F 2213/3814; G06F
2213/40; G06F 2213/4004
See application file for complete search history.

- D864,209 S * 10/2019 Wang D14/434
- D865,676 S * 11/2019 Liao D13/147
- D879,779 S * 3/2020 Liao D14/433
- D880,481 S * 4/2020 Liao D14/433
- D885,339 S * 5/2020 Duan D13/110
- D886,825 S * 6/2020 Zhang D14/433
- D889,469 S * 7/2020 Zhang D14/433

(Continued)

FOREIGN PATENT DOCUMENTS

EM 006630778-0005 * 7/2019

Primary Examiner — Marie D. Fast Horse

(57) **CLAIM**

The ornamental design for a multi-function converter, as shown and described.

DESCRIPTION

FIG. 1 is a left side perspective view of a multi-function converter showing our new design;
 FIG. 2 is a right side perspective view thereof;
 FIG. 3 is a front view thereof;
 FIG. 4 is a back view thereof;
 FIG. 5 is a left side view thereof;
 FIG. 6 is a right side view thereof;
 FIG. 7 is a top view thereof;
 FIG. 8 is a bottom view thereof;
 FIG. 9 is an enlarged view of a portion of the multi-function converter indicated in FIG. 1;
 FIG. 10 is an enlarged view of a portion of the multi-function converter indicated in FIG. 2; and,
 FIG. 11 is an enlarged view of a portion of the multi-function converter indicated in FIG. 5.

The broken lines in the figures depict portions of the multi-function converter that form no part of the claimed design.

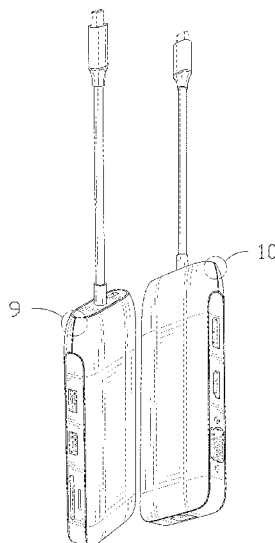
The broken lines consisting of a long dash and a short dash depict reference to the enlargements shown in the figures and form no part of the claim.

1 Claim, 11 Drawing Sheets

(56) **References Cited**

U.S. PATENT DOCUMENTS

- D788,112 S * 5/2017 Liao D14/433
- D798,811 S * 10/2017 Liao D13/110
- D828,839 S * 9/2018 Zhang D14/433
- D828,840 S * 9/2018 Zhang D14/433
- D828,841 S * 9/2018 Zhang D14/433
- D838,241 S * 1/2019 Xie D14/434
- D847,139 S * 4/2019 Wang D14/433
- D853,396 S * 7/2019 Kong D14/434
- D854,020 S * 7/2019 Liao D14/434
- D856,278 S * 8/2019 Turksu D13/108
- D862,385 S * 10/2019 Turksu D13/108



(56)

References Cited

U.S. PATENT DOCUMENTS

D889,470	S	*	7/2020	Zhang	D14/433
D892,801	S	*	8/2020	Liu	D14/434
D893,488	S	*	8/2020	Liu	D14/433
D894,190	S	*	8/2020	Zhang	D14/433
D894,828	S	*	9/2020	Chen	D13/108
D896,220	S	*	9/2020	Wu	D14/357
D896,814	S	*	9/2020	Zhang	D14/433
D900,107	S	*	10/2020	Wu	D14/433
D900,108	S	*	10/2020	Wu	D14/433
D900,109	S	*	10/2020	Wu	D14/433
D900,824	S	*	11/2020	Wu	D14/433
D902,211	S	*	11/2020	Jiang	D14/433
D903,683	S	*	12/2020	Zhang	D14/433
D905,063	S	*	12/2020	Liu	D14/434
D908,127	S	*	1/2021	Wu	D14/433
D909,385	S	*	2/2021	Kong	D14/433
D911,346	S	*	2/2021	Turksu	D14/433
D912,056	S	*	3/2021	Liao	D14/433
D916,093	S	*	4/2021	Liao	D14/433
D916,094	S	*	4/2021	Liao	D14/433
D916,705	S	*	4/2021	Liao	D14/433

* cited by examiner

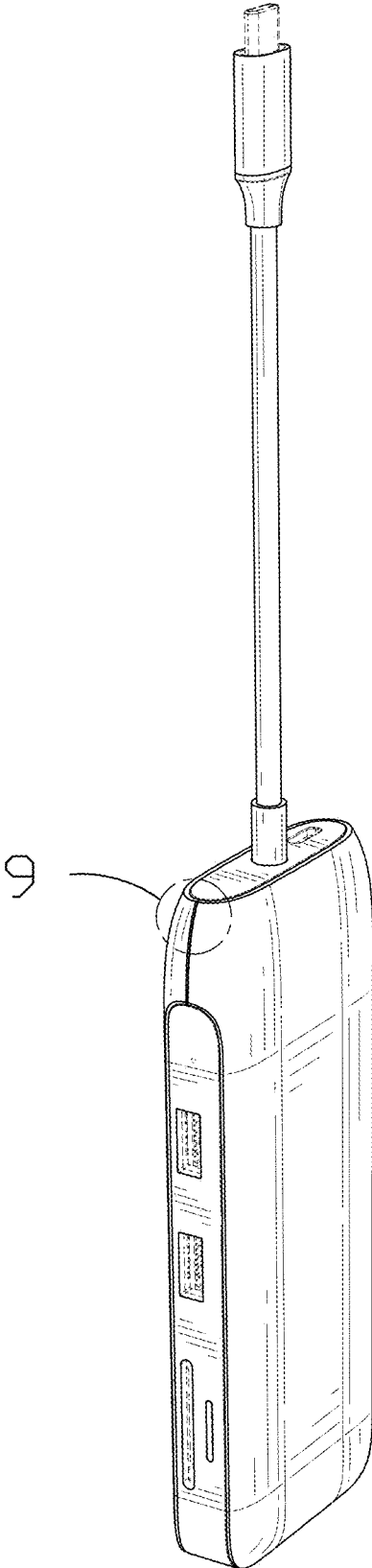


FIG. 1

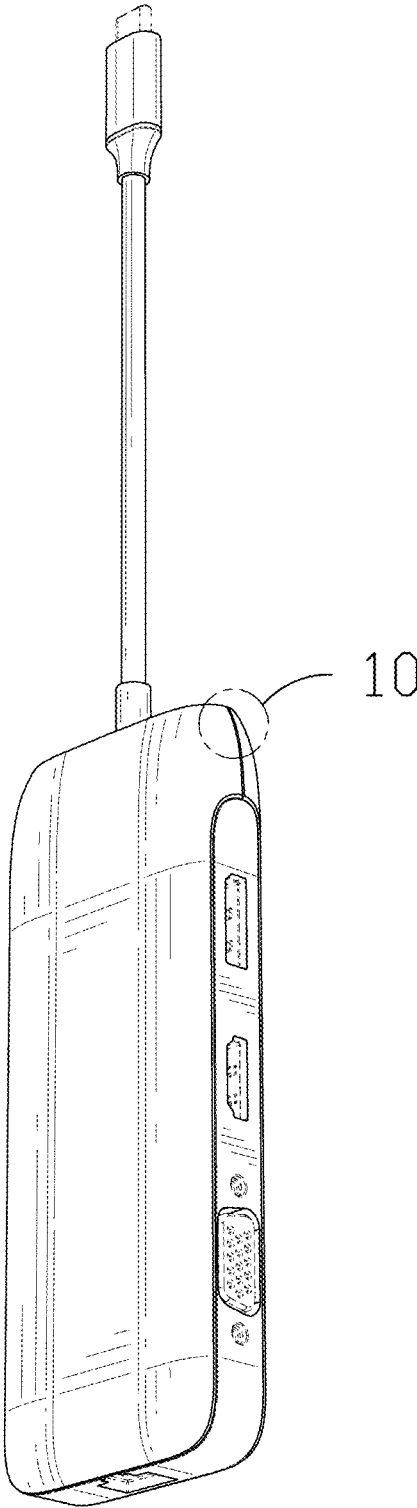


FIG. 2

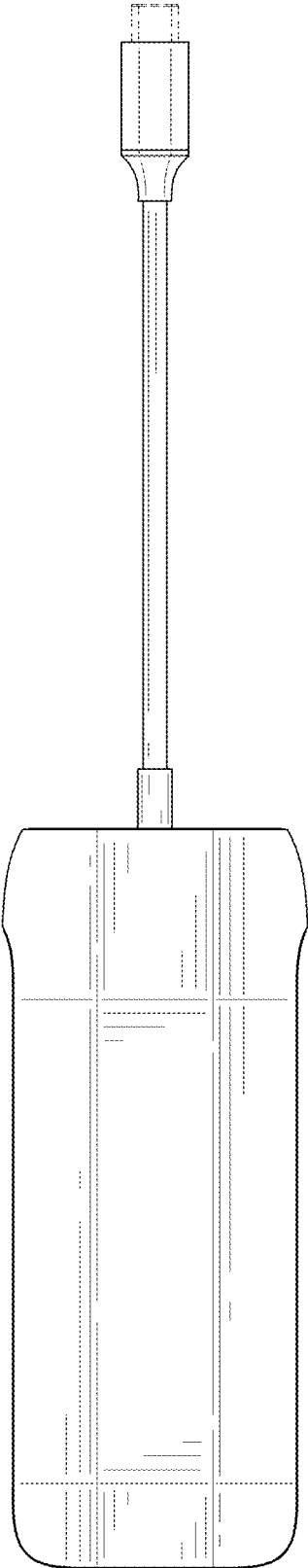


FIG. 3

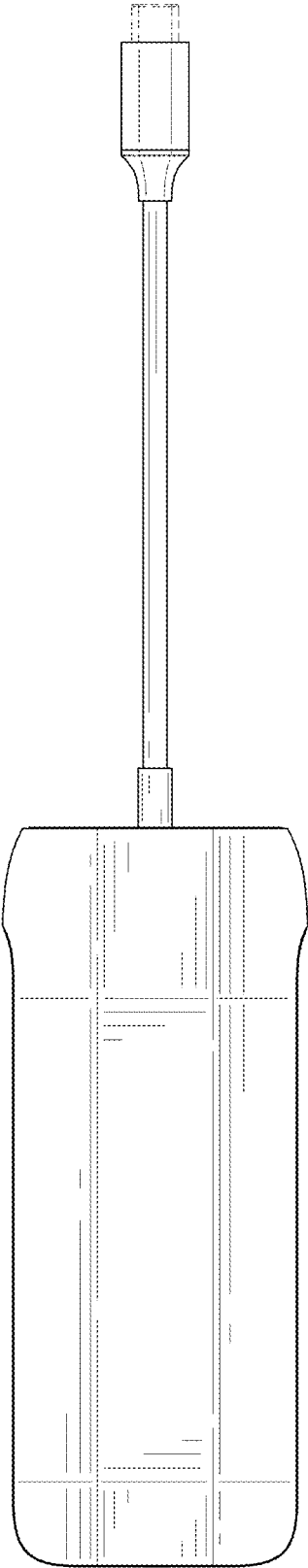


FIG. 4

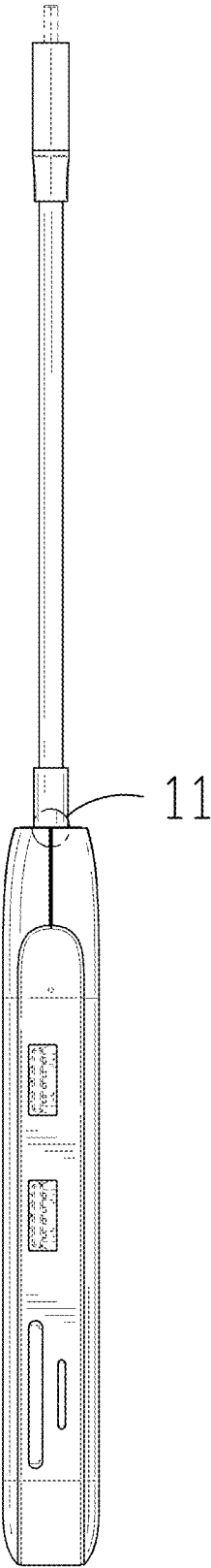


FIG. 5

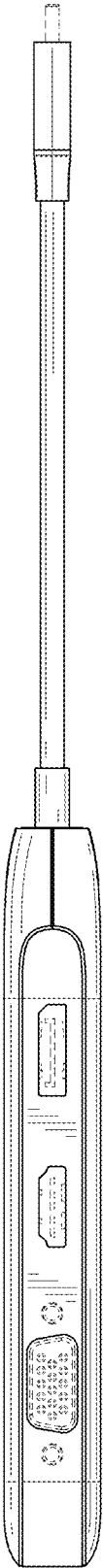


FIG. 6



FIG. 7

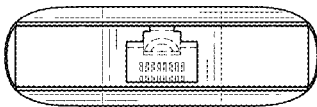


FIG. 8

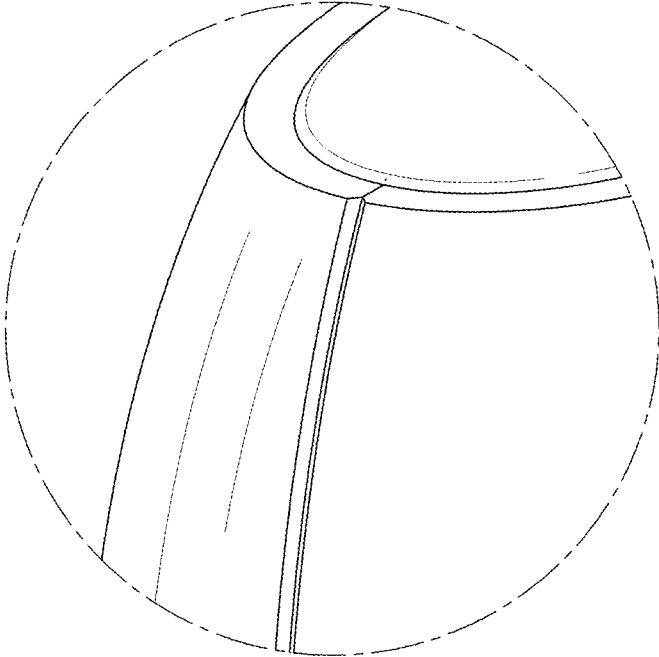


FIG. 9

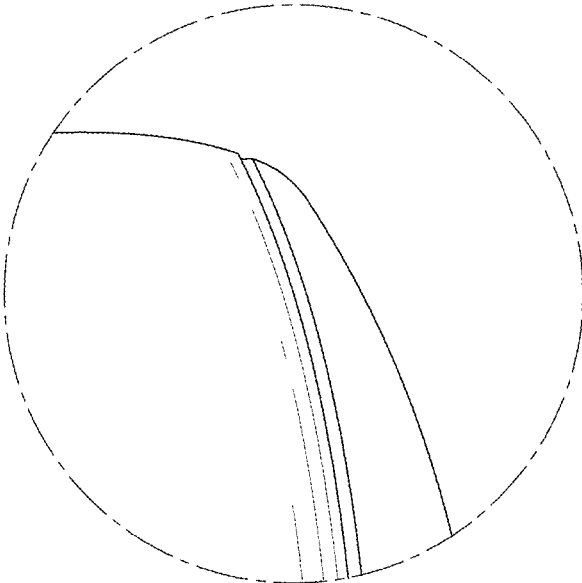


FIG. 10

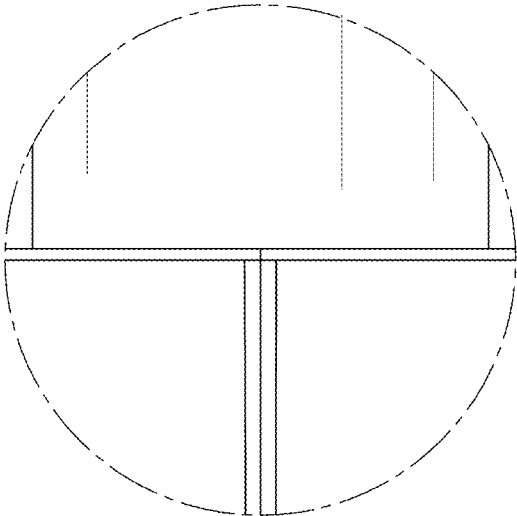


FIG. 11