



US00D727990S

(12) **United States Design Patent**
Sakai

(10) **Patent No.:** **US D727,990 S**

(45) **Date of Patent:** **** Apr. 28, 2015**

(54) **DIGITAL CAMERA**

(71) Applicant: **Fujifilm Corporation**, Tokyo (JP)

(72) Inventor: **Masayuki Sakai**, Tokyo (JP)

(73) Assignee: **Fujifilm Corporation**, Tokyo (JP)

(**) Term: **14 Years**

(21) Appl. No.: **29/475,003**

(22) Filed: **Nov. 27, 2013**

(30) **Foreign Application Priority Data**

May 31, 2013 (JP) 2013-012138
May 31, 2013 (JP) 2013-012139

(51) **LOC (10) Cl.** **16-01**

(52) **U.S. Cl.**
USPC **D16/202**

(58) **Field of Classification Search**

CPC G03B 15/03; G03B 17/02; G03B 17/04;
G03B 17/56; G03B 19/04; H04N 5/2251;
H04N 5/2252; H04N 5/2253; H04N 5/2254;
H04N 2101/00
USPC D16/200, 202-206, 208, 218, 219;
348/333.06, 373-376; 396/535,
396/539-541

See application file for complete search history.

(56) **References Cited**

U.S. PATENT DOCUMENTS

D557,312 S * 12/2007 Katayama D16/219
7,804,541 B2 * 9/2010 Ogino 348/373

D647,552 S * 10/2011 Ogasawara et al. D16/202
D649,997 S * 12/2011 Imai D16/202
D654,943 S * 2/2012 Ogasawara et al. D16/219
D657,408 S * 4/2012 Tainaka D16/202
D662,958 S * 7/2012 Fujita D16/202
D701,257 S * 3/2014 Ogawa D16/202
D710,425 S * 8/2014 Sato D16/219
D712,953 S * 9/2014 Nohara D16/219
D716,862 S * 11/2014 Hoshi D16/202
2012/0113308 A1 * 5/2012 Ishikawa 348/333.06

* cited by examiner

Primary Examiner — Adir Aronovich

Assistant Examiner — Ramzi Almatrahi

(74) *Attorney, Agent, or Firm* — Jean C. Edwards, Esq.;
Edwards Neils PLLC

(57) **CLAIM**

The ornamental design for a digital camera, as shown and described.

DESCRIPTION

FIG. 1 is a front elevation view of a digital camera showing my new design;
FIG. 2 is a rear elevation view thereof;
FIG. 3 is a left side elevation view thereof;
FIG. 4 is a right side elevation view thereof;
FIG. 5 is a top plan view thereof;
FIG. 6 is a bottom plan view thereof; and,
FIG. 7 is a rear perspective view thereof, showing a display screen in a tilted position.
The broken lines depict portions of a digital camera in which the design is embodied and form no part of the claimed design.

1 Claim, 4 Drawing Sheets

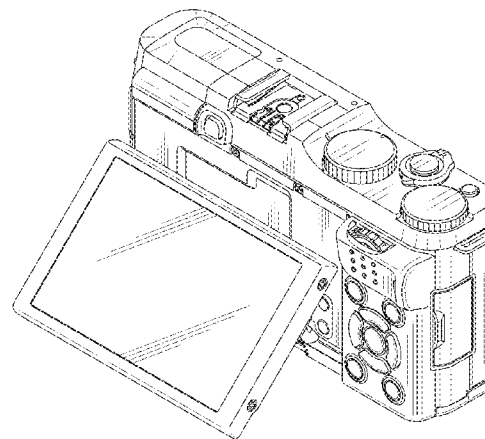
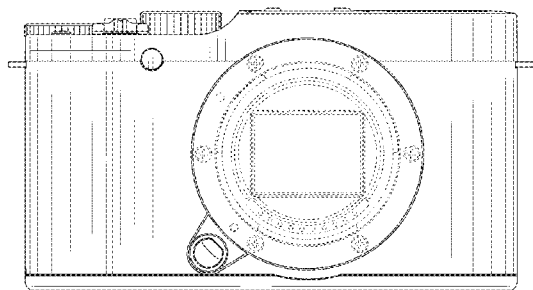


Fig. 1

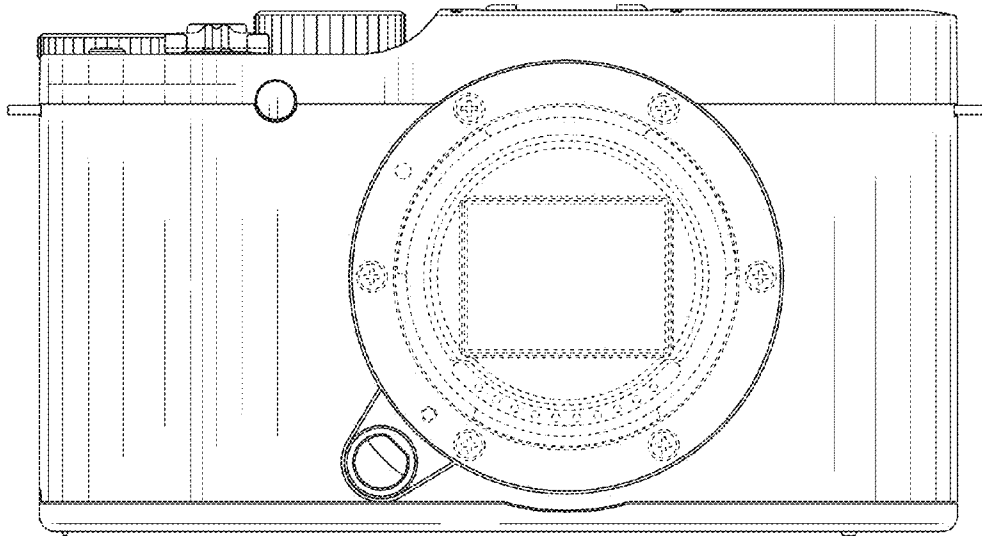


Fig. 2

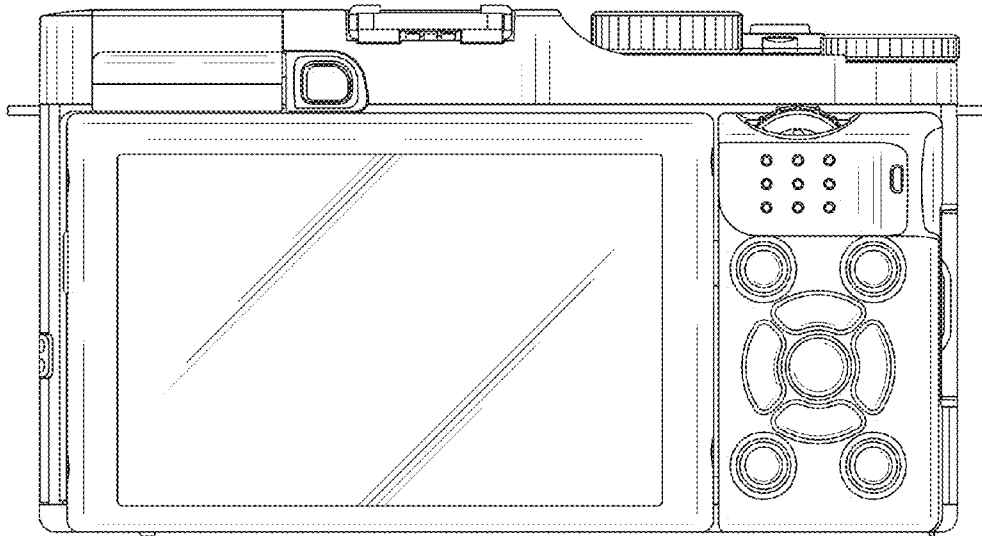


Fig. 3

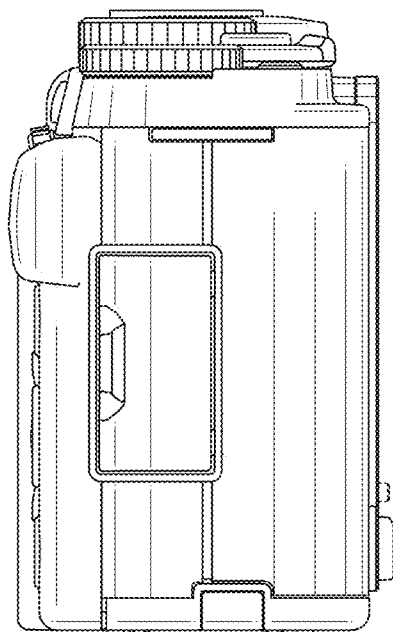


Fig. 4

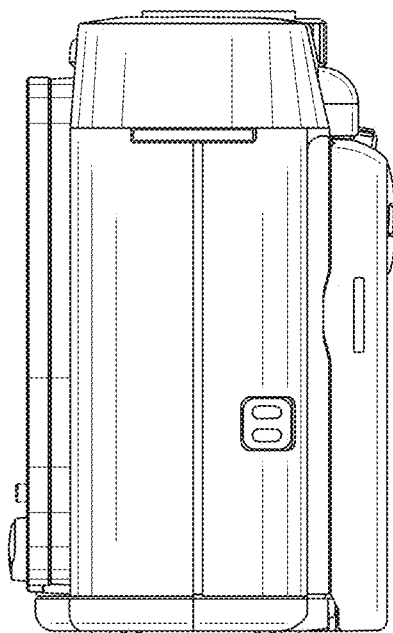


Fig. 5

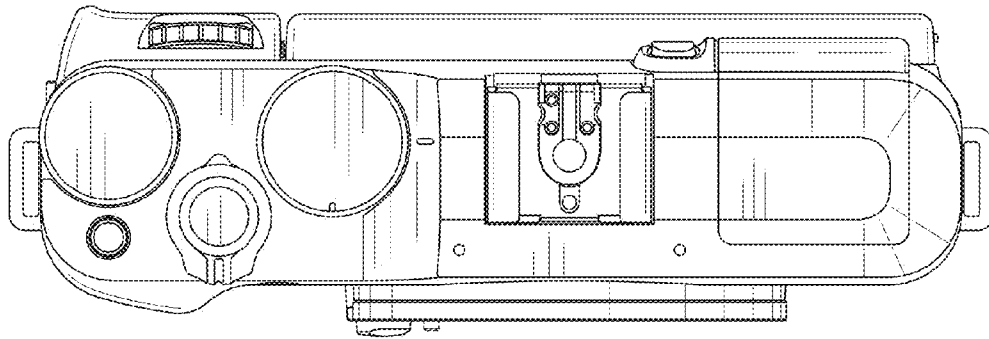


Fig. 6

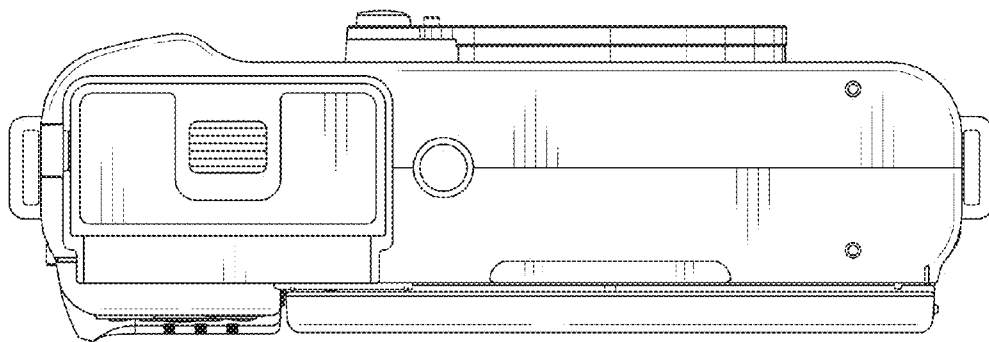


Fig. 7

