



(12) **United States Design Patent**
Willinger et al.

(10) **Patent No.:** **US D652,173 S**
(45) **Date of Patent:** **** Jan. 10, 2012**

- (54) **BIRD CAGE ATTACHMENT**
- (75) Inventors: **Jonathan Willinger**, Tenafly, NJ (US);
Peter Ragonetti, Brooklyn, NY (US)
- (73) Assignee: **J.W. Pet Company, Inc.**, Teterboro, NJ (US)
- (**) Term: **14 Years**
- (21) Appl. No.: **29/390,110**
- (22) Filed: **Apr. 20, 2011**

Related U.S. Application Data

- (63) Continuation of application No. 29/377,567, filed on Oct. 22, 2010, now Pat. No. Des. 637,368, which is a continuation of application No. 29/356,921, filed on Mar. 4, 2010, now Pat. No. Des. 627,934, which is a continuation of application No. 29/318,148, filed on May 14, 2008, now abandoned.
- (51) **LOC (9) Cl.** **30-02**
- (52) **U.S. Cl.** **D30/119**
- (58) **Field of Classification Search** D30/119,
D30/160; D6/300-303, 310; 119/702, 707-708,
119/711, 531, 537, 467; 446/108, 125
See application file for complete search history.

(56) **References Cited**

U.S. PATENT DOCUMENTS

569,503 A	10/1896	Keyes	
574,254 A	12/1896	Mosher, et al.	
D84,426 S	6/1931	Marchand	
D89,923 S *	5/1933	Robison	D30/119
D90,226 S	7/1933	Allen	
2,119,208 A	5/1938	Goldsmith	
2,201,251 A *	5/1940	Van Patten	D6/301
2,352,923 A	7/1944	Turner	
D144,436 S *	4/1946	Vitalo	D6/303
2,402,717 A	6/1946	Winer	
D167,326 S *	7/1952	Verosub et al.	D30/119
2,717,577 A	9/1955	Petsche	

2,731,949 A *	1/1956	Arnould	119/537
2,796,042 A	6/1957	Cope	
D186,380 S *	10/1959	Miller	D6/303
2,910,915 A	11/1959	Harris	
3,041,911 A *	7/1962	Marder	119/531
3,664,301 A	5/1972	Morrill	
3,678,901 A	7/1972	Dulle	
3,771,854 A	11/1973	Roark	
3,847,120 A	11/1974	Hicks	
3,867,013 A	2/1975	Ashenfarb	
3,876,293 A	4/1975	Ramos	
3,911,866 A	10/1975	Dodd	
3,936,669 A	2/1976	Gardner	
4,013,351 A	3/1977	Haile	
4,188,745 A	2/1980	Harvey et al.	
4,268,121 A	5/1981	Peskin	
D261,970 S	11/1981	Alexandris et al.	
4,345,819 A	8/1982	Villa-Real	
4,560,257 A	12/1985	Otema	
4,639,101 A	1/1987	Stefancin, Jr.	
D288,385 S	2/1987	Hewitt	
4,643,544 A	2/1987	Loughran	

(Continued)

Primary Examiner — Cathy A MacCormac
(74) *Attorney, Agent, or Firm* — Katten Muchin Rosenman LLP

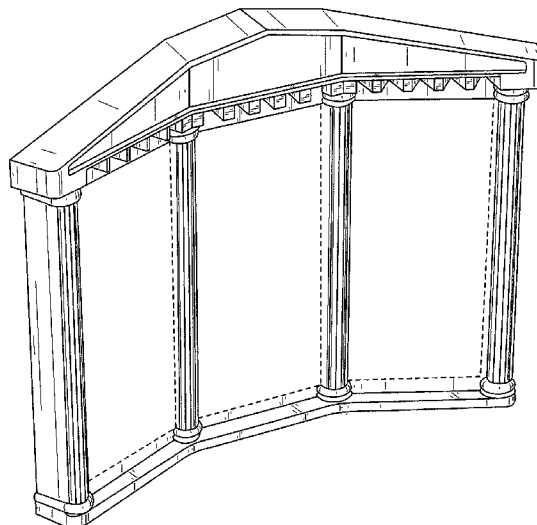
(57) **CLAIM**

The ornamental design for a bird cage attachment, as shown and described.

DESCRIPTION

FIG. 1 is a perspective view of a bird cage attachment; FIG. 2 is a front view thereof; FIG. 3 is a rear view thereof; FIG. 4 is a left side view thereof; FIG. 5 is a right side view thereof; FIG. 6 is a top view thereof; and, FIG. 7 is a bottom view thereof. The portions of the design that are shown in broken lines do not form part of the claimed design.

1 Claim, 5 Drawing Sheets



US D652,173 S

Page 2

U.S. PATENT DOCUMENTS			
D290,662	S *	7/1987	Basil et al. D6/310
4,702,534	A	10/1987	Witt et al.
4,753,436	A	6/1988	Sinclair
4,775,231	A	10/1988	Granzow et al.
D305,483	S *	1/1990	Hsu D6/310
4,898,560	A	2/1990	Moscovich
D308,308	S	6/1990	Keller
D320,873	S	10/1991	Emmons
5,175,645	A	12/1992	Bennett et al.
D334,166	S	3/1993	Rolph
5,212,926	A	5/1993	Beasley
D344,818	S *	3/1994	Messing D30/160
D345,634	S *	3/1994	Messing D30/160
D357,588	S	4/1995	Fachinger
5,517,365	A	5/1996	Takeyasu
D371,227	S *	6/1996	Lee D30/119
D390,364	S *	2/1998	Johnsey D6/303
D391,773	S	3/1998	Zaidman et al.
D401,423	S	11/1998	Zaidman
D428,841	S	8/2000	Hussaini et al.
D438,713	S *	3/2001	Zaidman D6/300
6,523,961	B2	2/2003	Ilkov et al.
D497,649	S *	10/2004	Carter et al. D20/38
D508,589	S *	8/2005	Woltmann et al. D30/119
D530,866	S	10/2006	Woltmann et al.
D535,925	S	1/2007	Baker
D553,807	S *	10/2007	Rutherford D30/160
D554,298	S *	10/2007	Woltmann et al. D30/119
7,418,925	B2 *	9/2008	Rutherford 119/467
D601,759	S *	10/2009	Ragonetti et al. D30/119
2004/0156133	A1	8/2004	Vernon

* cited by examiner

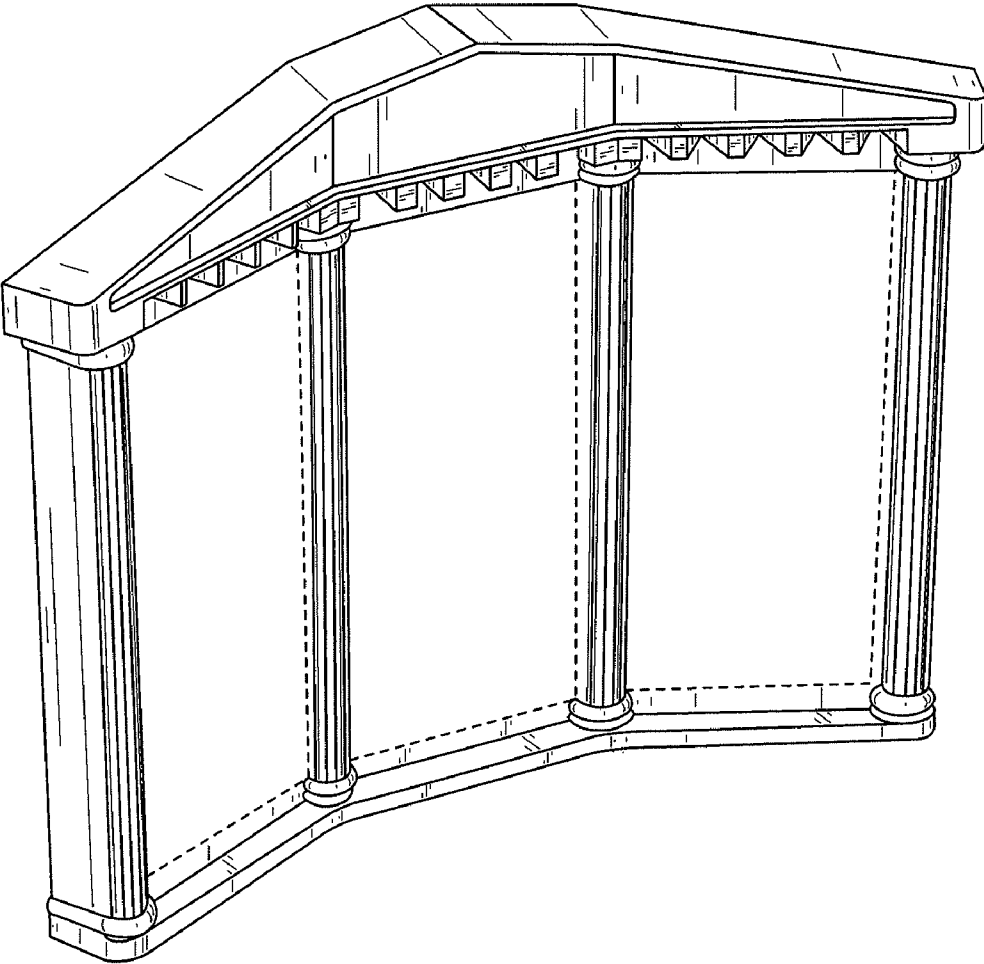


FIG. 1

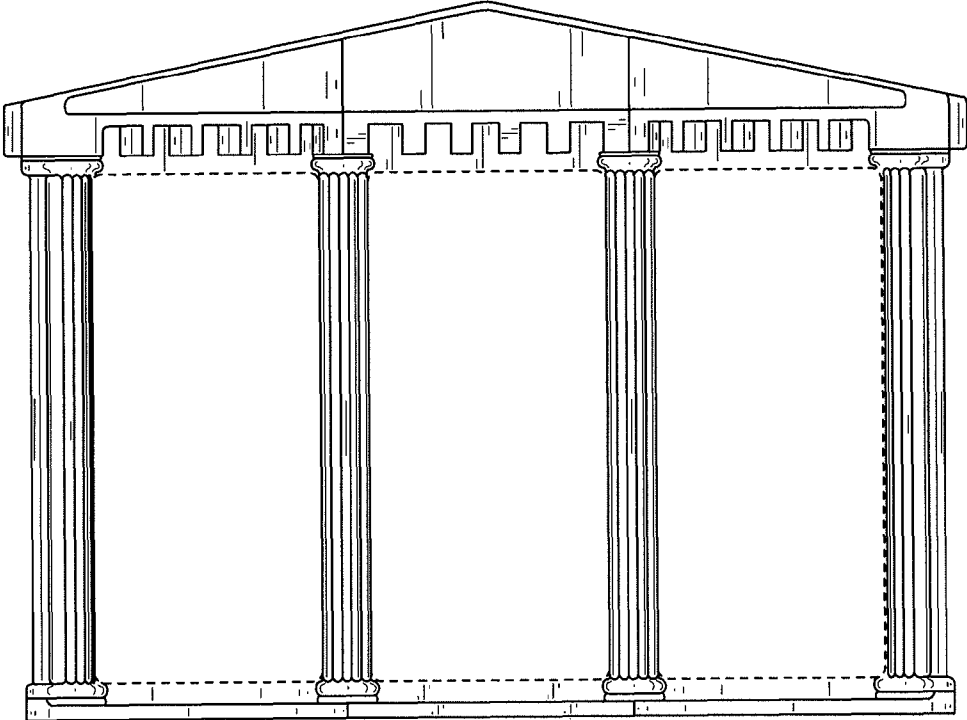


FIG. 2

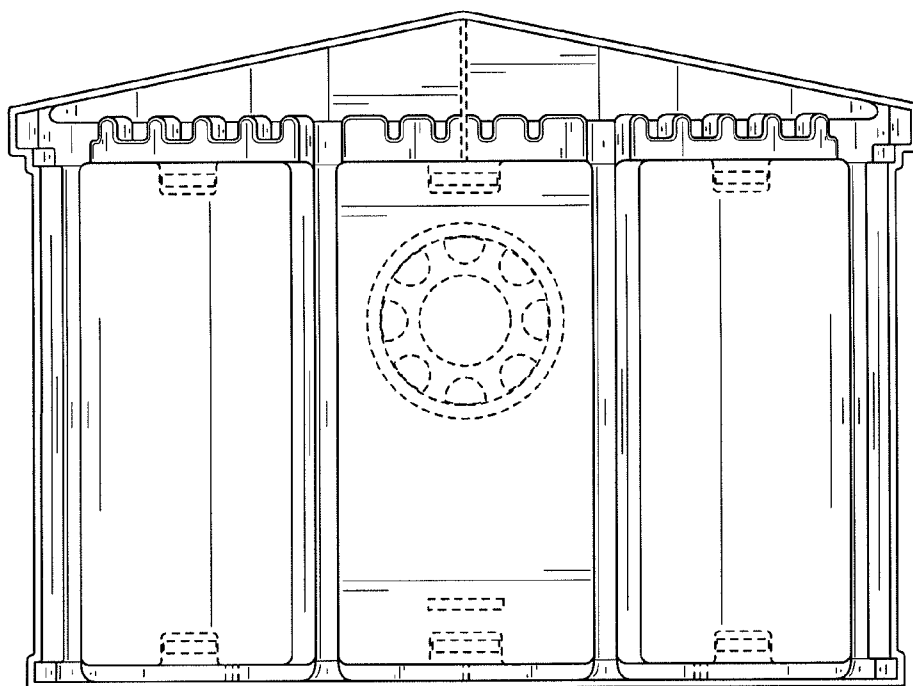


FIG. 3

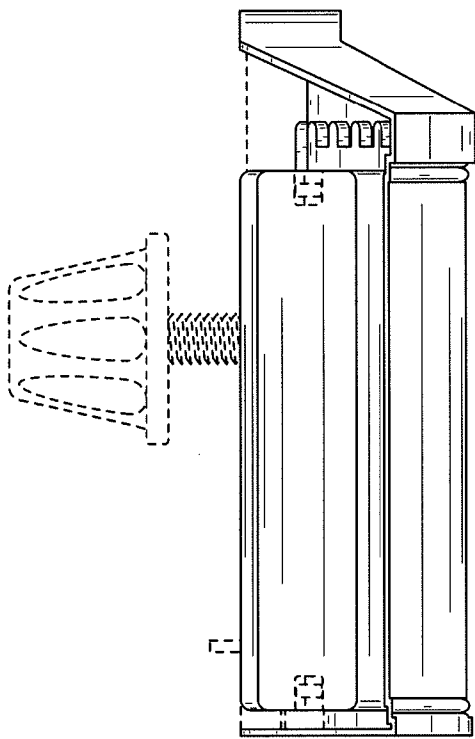


FIG. 4

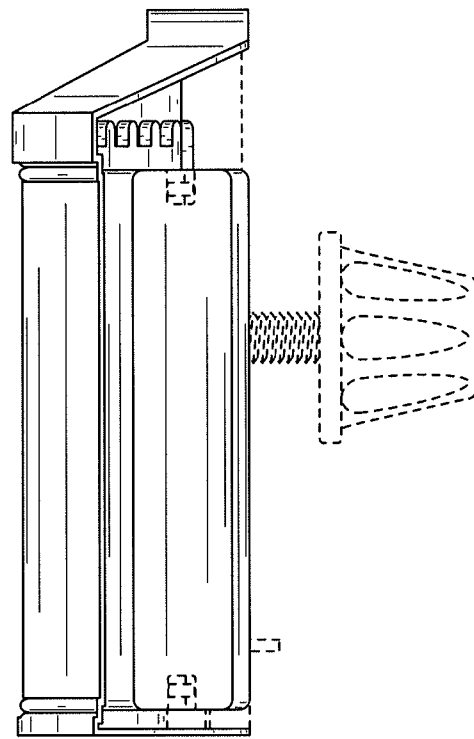


FIG. 5

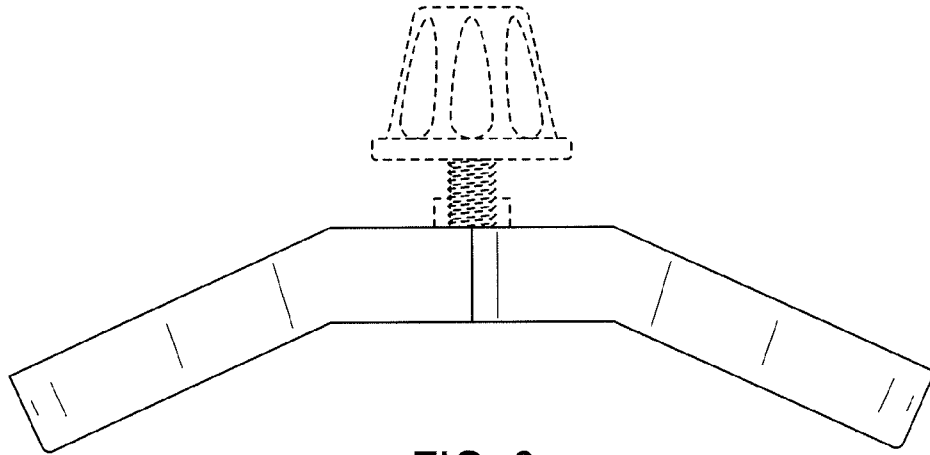


FIG. 6

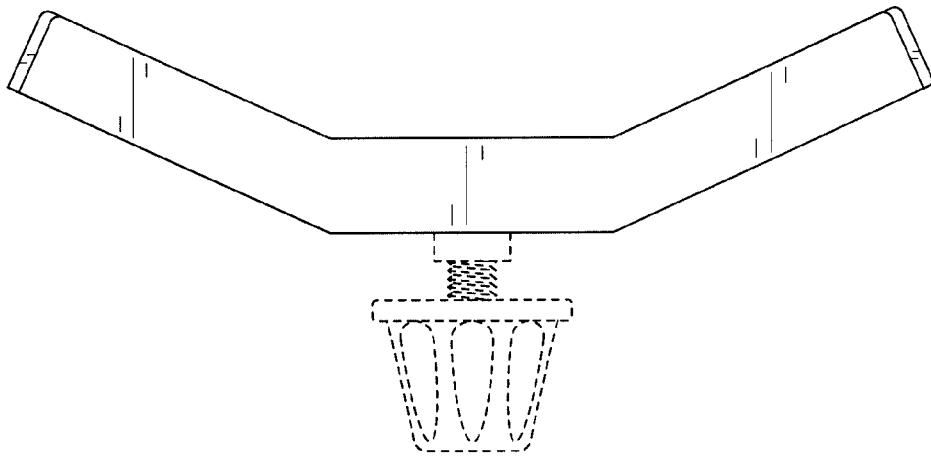


FIG. 7