



US00D620301S

(12) **United States Design Patent**  
**Picozza et al.**

(10) **Patent No.:** **US D620,301 S**

(45) **Date of Patent:** **\*\* Jul. 27, 2010**

(54) **COFFEEMAKER**

(75) Inventors: **Augusto Picozza**, Boca Raton, FL (US);  
**Douglas Goodner**, Weston, FL (US);  
**Brooks Rorke**, Guilford, CT (US)

(73) Assignee: **Sunbeam Products, Inc.**, Boca Raton,  
FL (US)

(\*\*) Term: **14 Years**

(21) Appl. No.: **29/343,935**

(22) Filed: **Sep. 22, 2009**

(51) **LOC (9) Cl.** ..... **07-01**

(52) **U.S. Cl.** ..... **D7/309; D7/311**

(58) **Field of Classification Search** ..... D7/309-311,  
D7/306-308; 99/280, 283

See application file for complete search history.

(56) **References Cited**

**U.S. PATENT DOCUMENTS**

D343,758 S *	2/1994	Beeren	.....	D7/309
D403,199 S *	12/1998	Micoley	.....	D7/309
D446,989 S *	8/2001	Cruz	.....	D7/309
D454,466 S *	3/2002	Hong	.....	D7/309
D481,902 S *	11/2003	O'Connor et al.	.....	D7/309
D498,110 S *	11/2004	Picozza et al.	.....	D7/309
D511,066 S *	11/2005	Garner	.....	D7/309

D518,328 S *	4/2006	Picozza et al.	.....	D7/309
D546,112 S *	7/2007	Rorke et al.	.....	D7/309
D550,499 S *	9/2007	Argabrite et al.	.....	D7/309
D564,280 S *	3/2008	Ting et al.	.....	D7/309

\* cited by examiner

*Primary Examiner*—Marianne Pandozzi

(74) *Attorney, Agent, or Firm*—Seth M. Blum

(57) **CLAIM**

The ornamental design for a coffeemaker, as shown and described.

**DESCRIPTION**

FIG. 1 is a front left perspective view of the coffeemaker showing the new design;

FIG. 2 is a back perspective view thereof;

FIG. 3 is a front elevation view thereof;

FIG. 4 is a back elevation thereof;

FIG. 5 is a left side elevation thereof;

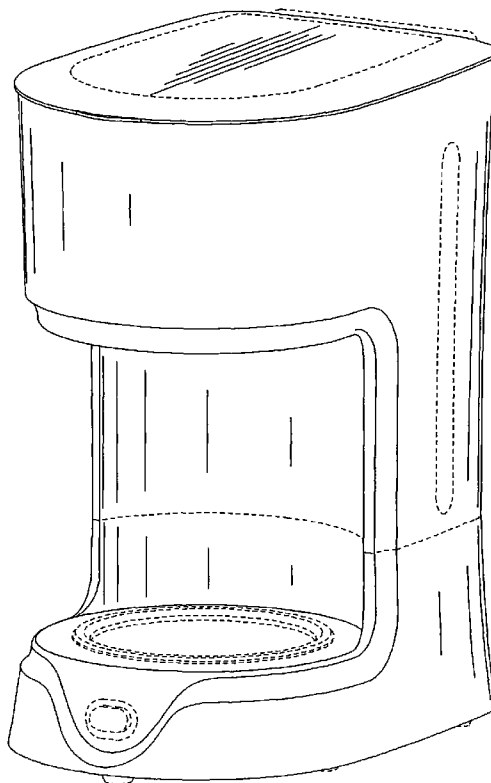
FIG. 6 is a right side elevation thereof;

FIG. 7 is an enlarged top plan view thereof; and,

FIG. 8 is an enlarged bottom plan view thereof.

The broken lines in the drawings are for illustrative purposes only and form no part of the claimed design.

**1 Claim, 8 Drawing Sheets**



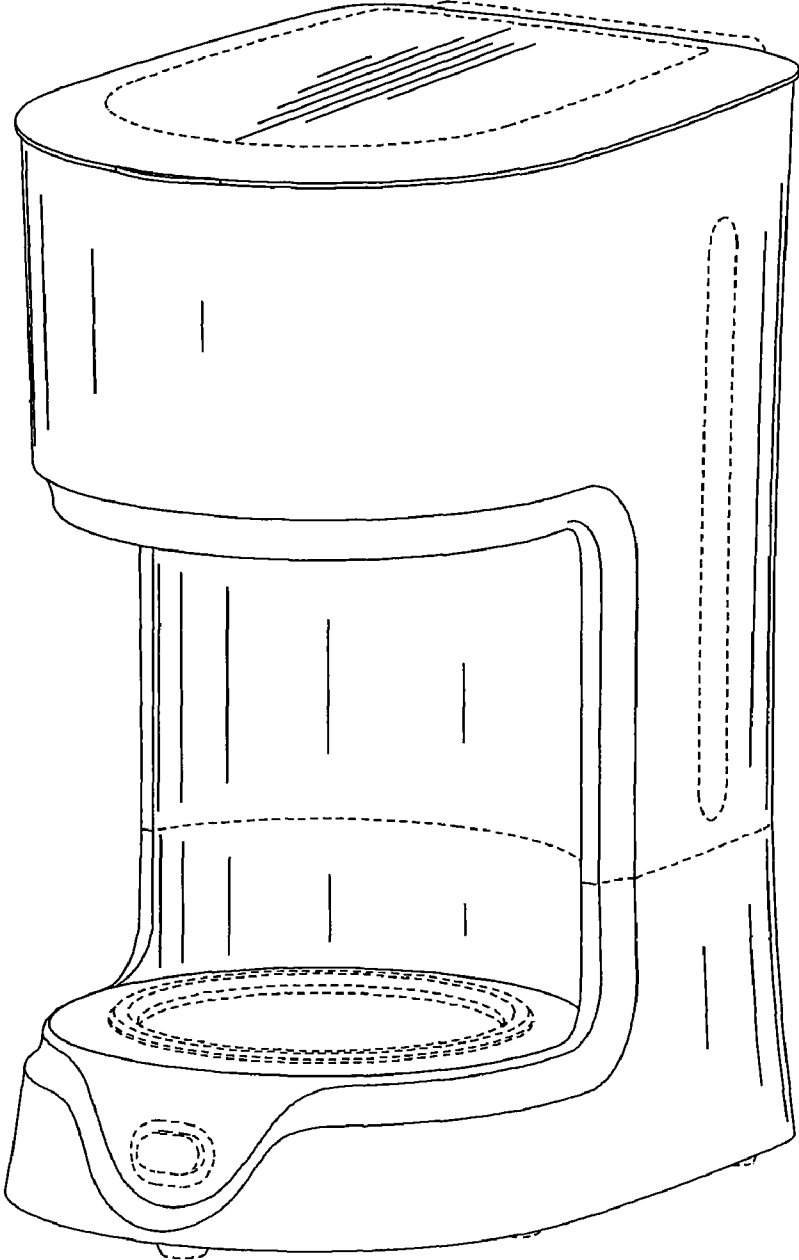


FIG 1

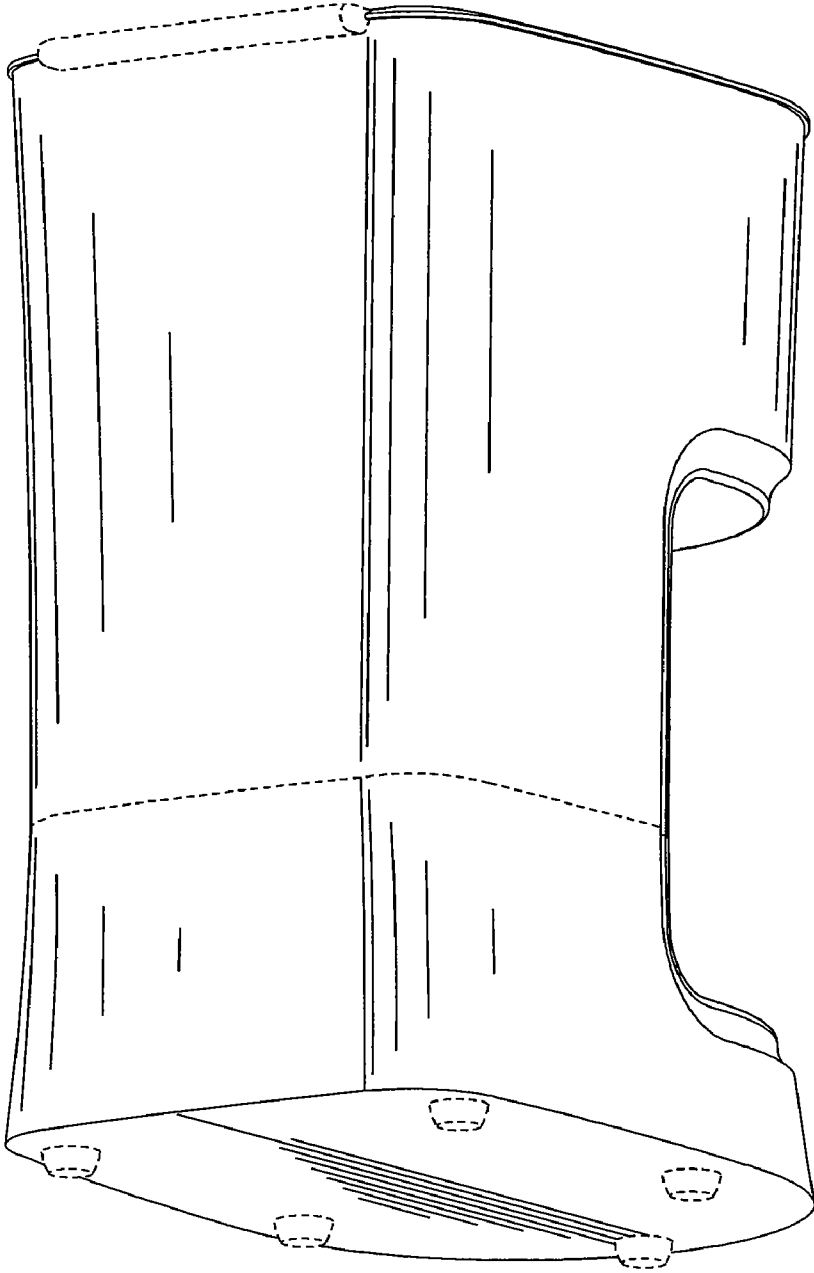


FIG 2

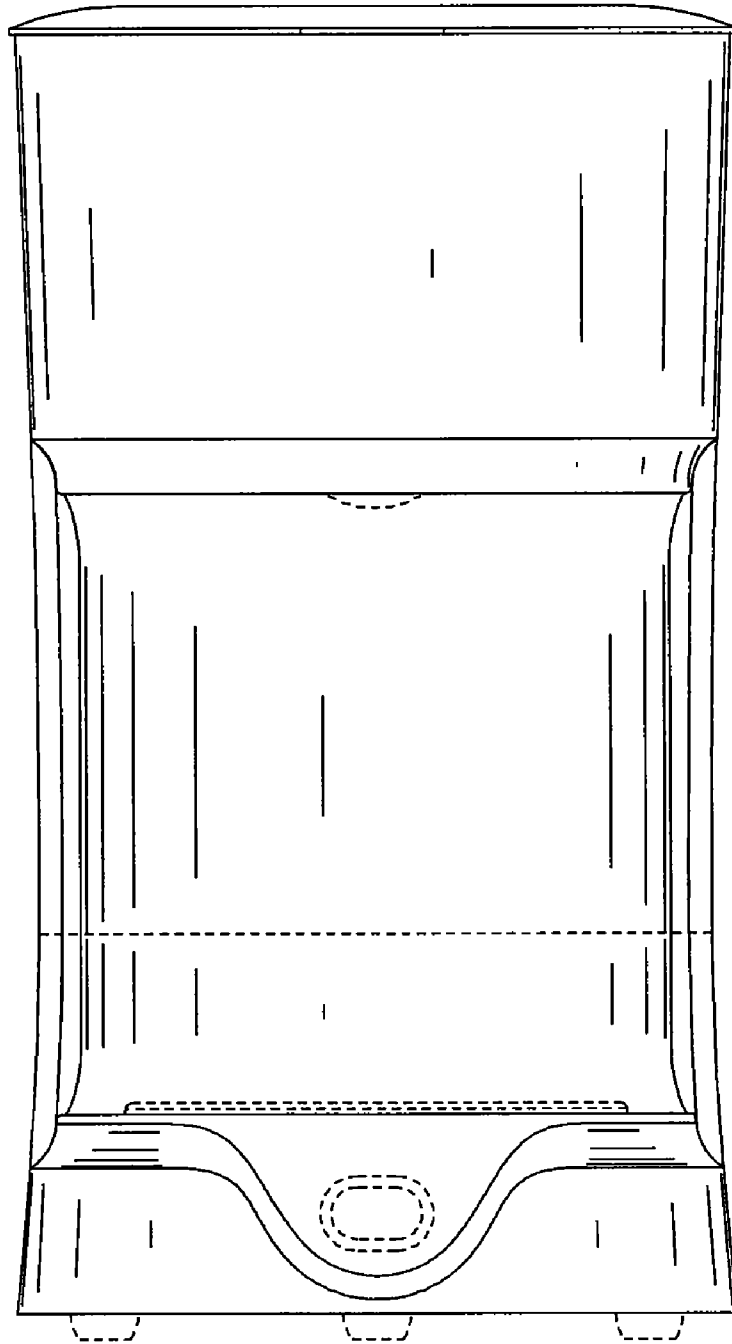


FIG 3

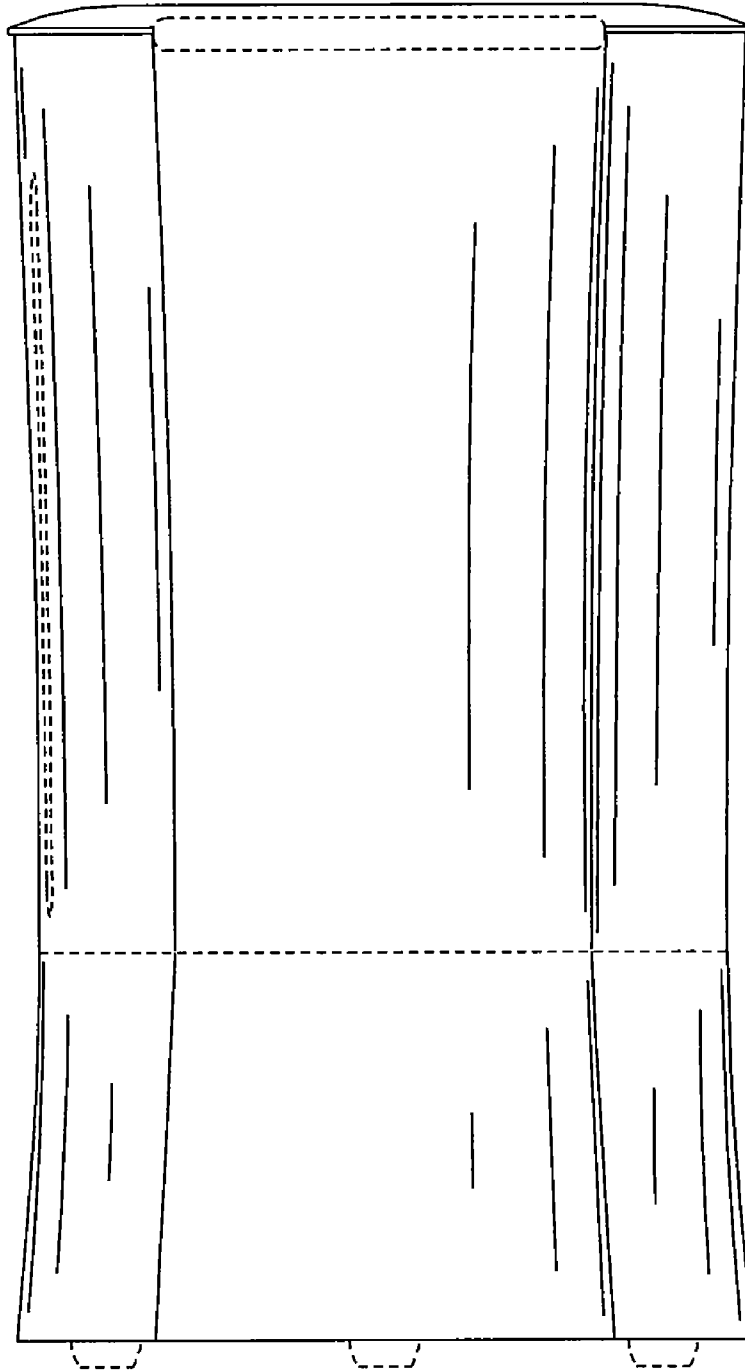


FIG 4

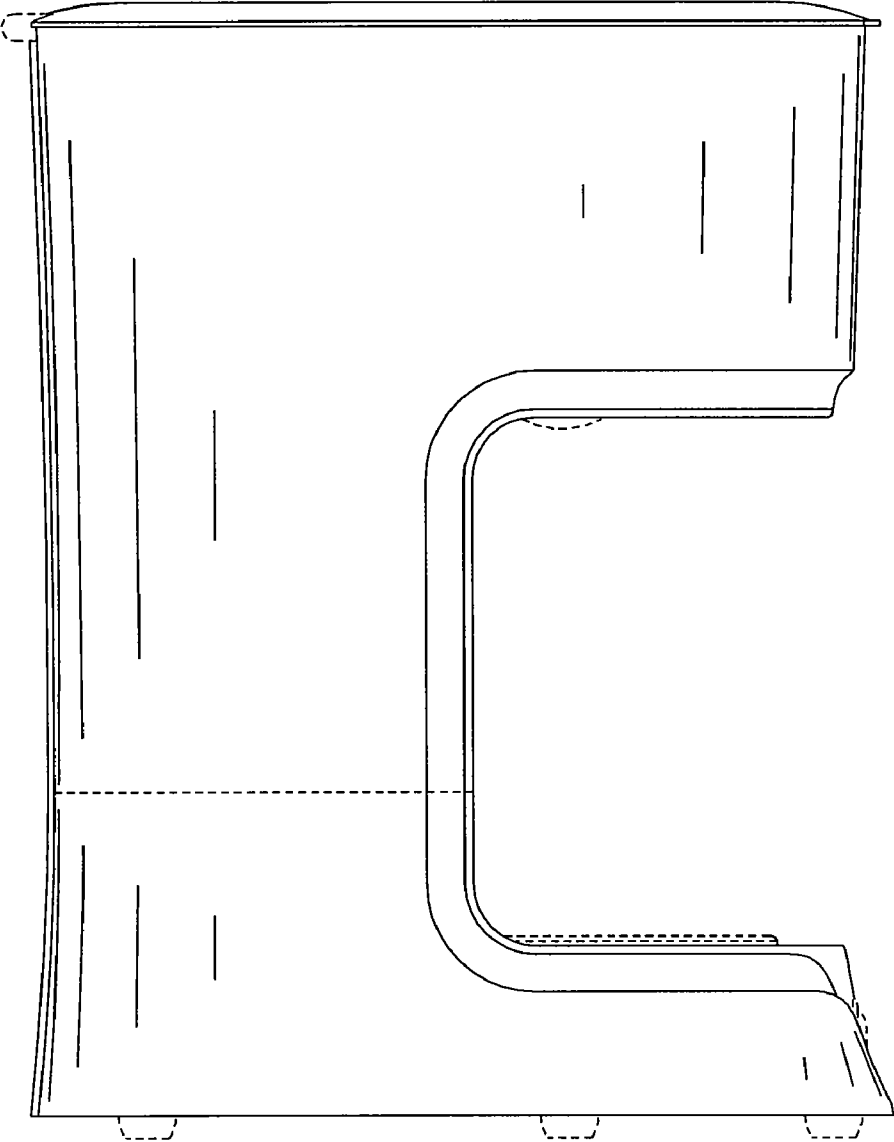


FIG 5

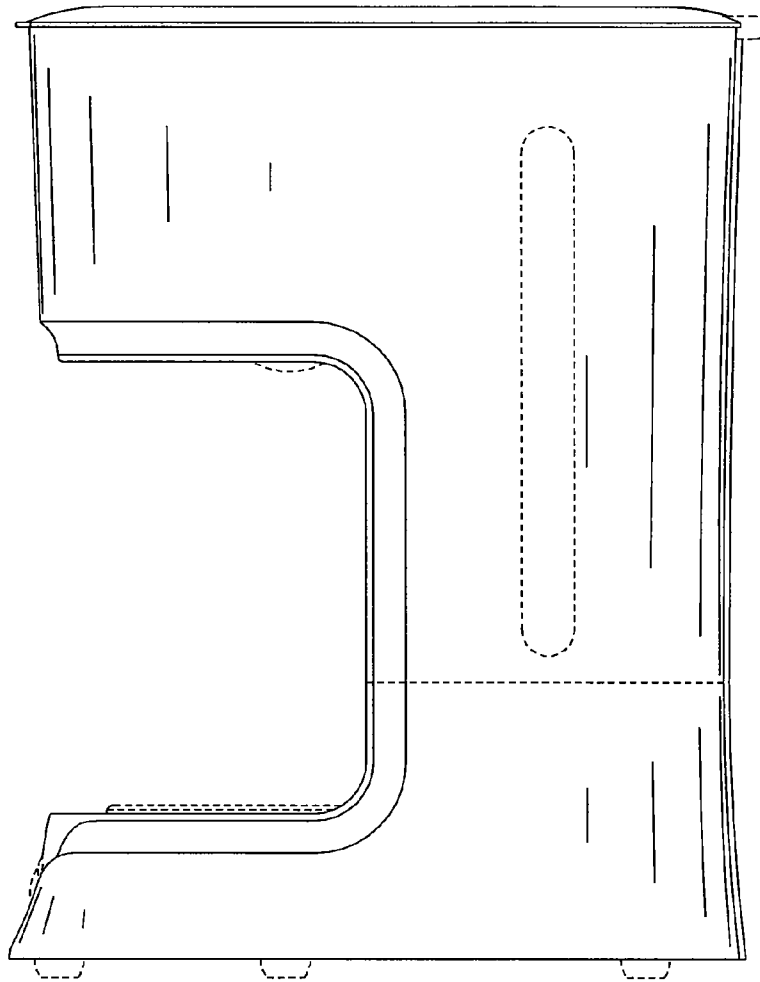


FIG 6

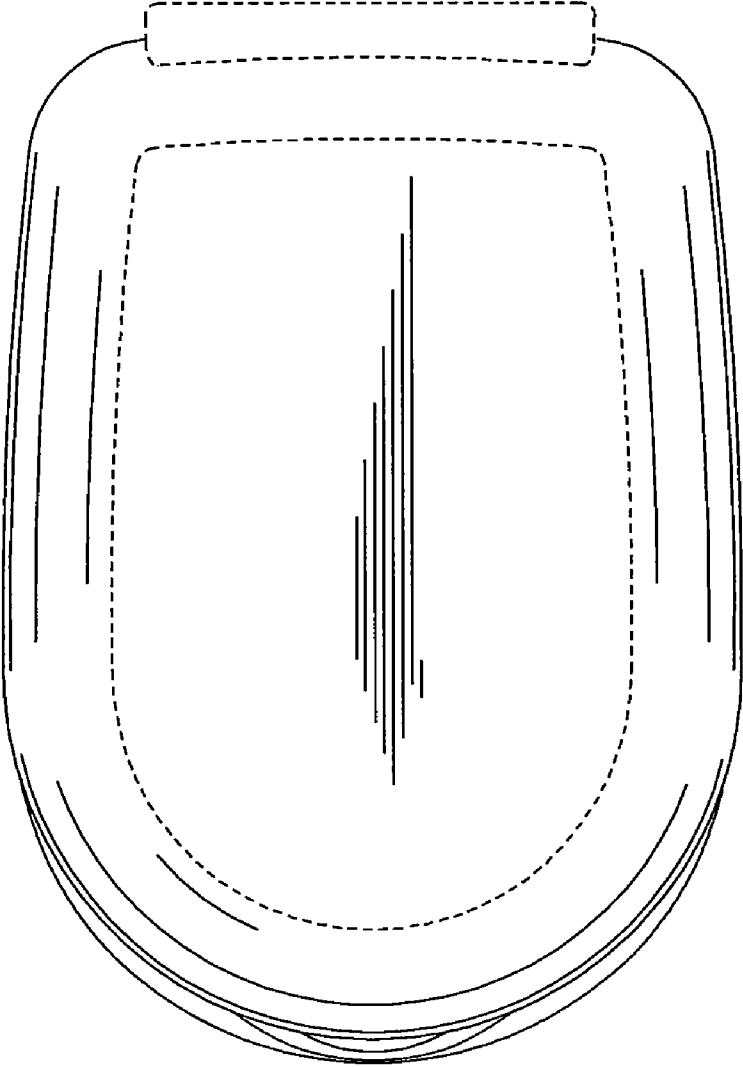


FIG 7



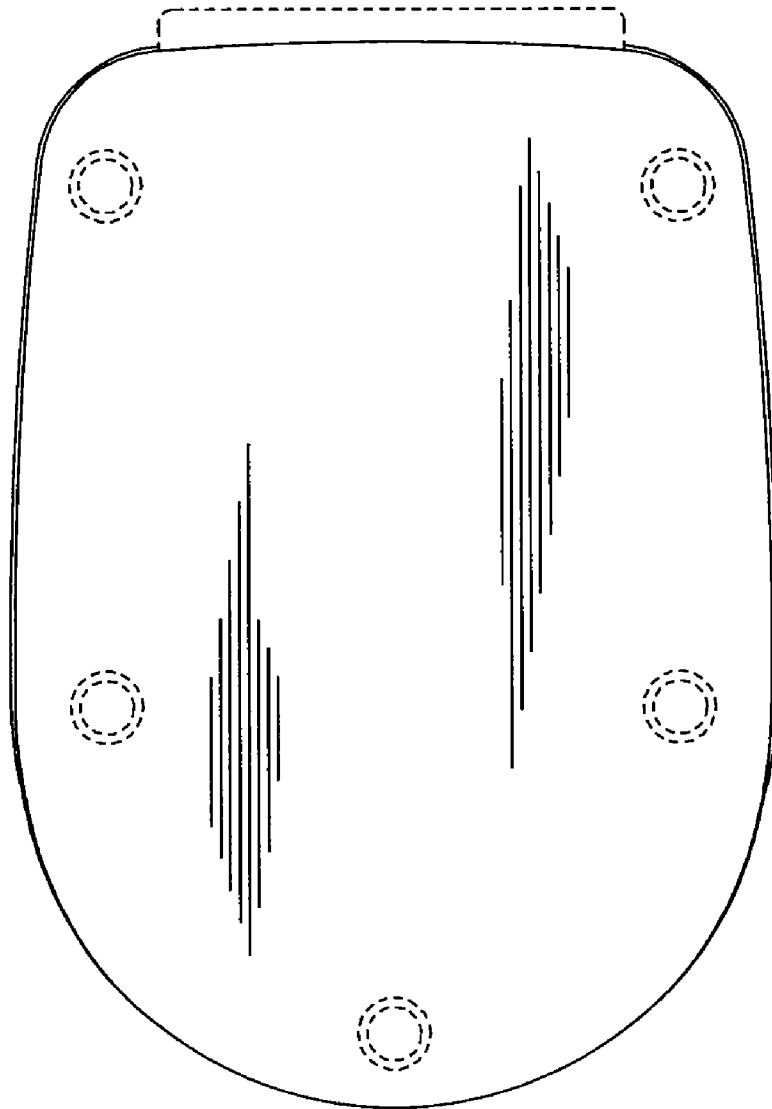


FIG 8