



US0D1043607S

(12) **United States Design Patent**
Lee et al.

(10) **Patent No.:** **US D1,043,607 S**

(45) **Date of Patent:** **** Sep. 24, 2024**

(54) **STORAGE UNIT RADIO**

FOREIGN PATENT DOCUMENTS

(71) Applicant: **Milwaukee Electric Tool Corporation**,
Brookfield, WI (US)

CN 204425843 ‡ 6/2015
CN 207184746 4/2018

(Continued)

(72) Inventors: **Timothy Tin Pak Lee**, Kwai Chung (HK); **George Siu Kwong Yu**, Kwai Chung (HK); **Joseph R. McIntyre**, Milwaukee, WI (US); **Sullivan Dee**, Milwaukee, WI (US); **Yong Dong Huang**, Dongguan (CN); **Jian Jun Wang**, Dongguan (CN); **Thompson K. C. Cheung**, Hong Kong (HK); **Xiao Ying Tao**, Dong Cheng (CN)

OTHER PUBLICATIONS

International Search Report and Written Opinion for International Application No. PCT/IL2015/050679, dated Oct. 28, 2015, 10 pages.

Primary Examiner — Keli L Hill

(74) *Attorney, Agent, or Firm* — Reinhart Boerner Van Deuren s.c.

(73) Assignee: **Milwaukee Electric Tool Corporation**,
Brookfield, WI (US)

(57) **CLAIM**

The ornamental design for a storage unit radio, as shown and described.

(**) Term: **15 Years**

(21) Appl. No.: **29/812,231**

DESCRIPTION

(22) Filed: **Oct. 20, 2021**

Related U.S. Application Data

(62) Division of application No. 29/693,666, filed on Jun. 4, 2019, now Pat. No. Des. 936,030.

(51) **LOC (14) Cl.** **14-03**

(52) **U.S. Cl.**
USPC **D14/188**

(58) **Field of Classification Search**
USPC D14/167, 168, 170–172, 188, 194–196,
D14/204, 209.1, 210–216, 219, 221, 222,
D14/224, 239, 496

(Continued)

FIG. 1 is a top, left and front perspective view of the first embodiment of a storage unit radio, showing our new design;

FIG. 2 is a bottom, right and rear perspective view of the claimed design of FIG. 1;

FIG. 3 is a top view of the claimed design of FIG. 1;

FIG. 4 is a bottom view of the claimed design of FIG. 1;

FIG. 5 is a left-side view of the claimed design of FIG. 1;

FIG. 6 is a right-side view of the claimed design of FIG. 1;

FIG. 7 is a front view of the claimed design of FIG. 1;

FIG. 8 is a rear view of the claimed design of FIG. 1;

FIG. 9 is a top, left and front perspective view of the second embodiment of a storage unit radio, showing our new design;

FIG. 10 is a bottom, right and rear perspective view of the claimed design of FIG. 9;

FIG. 11 is a top view of the claimed design of FIG. 9;

FIG. 12 is a bottom view of the claimed design of FIG. 9;

FIG. 13 is a left-side view of the claimed design of FIG. 9;

FIG. 14 is a right-side view of the claimed design of FIG. 9;

FIG. 15 is a front view of the claimed design of FIG. 9; and,

FIG. 16 is a rear view of the claimed design of FIG. 9.

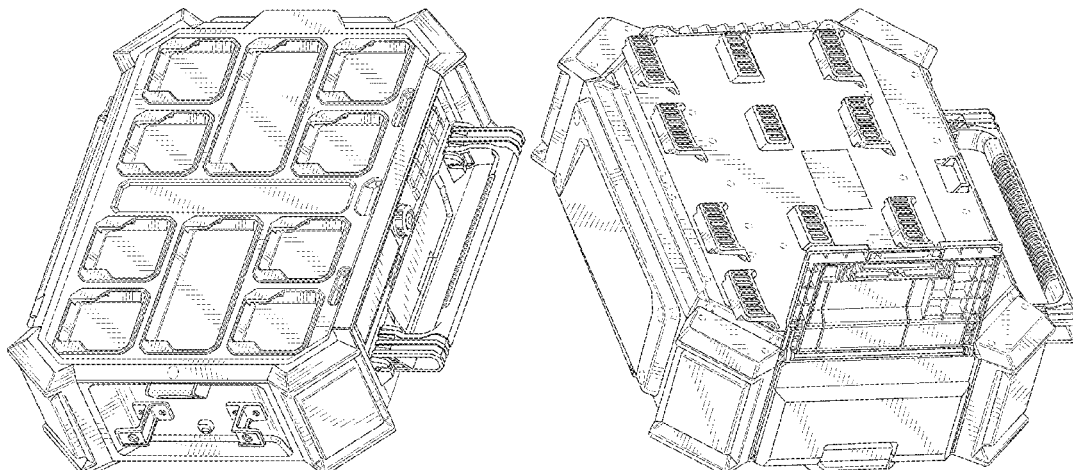
(Continued)

(56) **References Cited**

U.S. PATENT DOCUMENTS

3,634,732 A ‡ 1/1972 Finger H04B 1/08
312/7.1
3,950,701 A ‡ 4/1976 Matuoka H04B 1/08
455/345

(Continued)



The broken lines are included for the purpose of illustrating portions of the storage unit radio and form no part of the claimed design.

1 Claim, 16 Drawing Sheets

(58) **Field of Classification Search**

CPC B60R 11/0217; G06F 1/1688; G10K 9/22; G10K 11/004; H03F 1/327; H04M 1/03; H04M 1/035; H04N 5/642; H04N 21/4852; H04R 1/02; H04R 1/06; H04R 1/021; H04R 1/025; H04R 1/026; H04R 1/028; H04R 1/105; H04R 1/323; H04R 1/403; H04R 1/2803; H04R 1/2834; H04R 5/02; H04R 7/20; H04R 9/06; H04R 9/025; H04R 2201/021; H04R 2400/00; H04R 2400/07; H04R 2499/11; H04R 2499/13; H04R 2499/15; H04S 3/00; H04S 7/30

See application file for complete search history.

(56) **References Cited**

U.S. PATENT DOCUMENTS

5,235,822 A † 8/1993 Leonovich, Jr. A45C 11/20
455/344
5,547,080 A † 8/1996 Klimas B25H 3/023
248/211
5,810,168 A † 9/1998 Eggering A45C 15/00
455/344
6,982,541 B2 † 1/2006 Zick H01M 50/247
320/114
7,332,889 B2 † 2/2008 Glasgow H02J 7/0045
361/690
7,334,680 B2 † 2/2008 Cunningham B25H 3/023
220/729
7,471,063 B2 † 12/2008 Zick H01M 50/20
320/114
7,519,195 B2 † 4/2009 Hesketh B25H 3/00
381/345
7,557,537 B2 † 7/2009 Zick H01M 50/20
320/114
7,609,027 B2 † 10/2009 Zick H01M 50/271
320/114
7,835,534 B2 † 11/2010 Cole, Jr. A45C 15/00
381/189
7,868,590 B2 † 1/2011 Zick H01M 50/202
320/114
D661,687 S † 6/2012 Yoshiizumi D14/214
D662,081 S † 6/2012 Yoshiizumi D14/214
8,203,307 B2 † 6/2012 Zick H01M 50/202
320/114
8,567,796 B2 † 10/2013 Bar-Erez B62B 1/04
280/47.26

8,604,752 B2 † 12/2013 Cole, Jr. H01M 50/262
320/114
D710,328 S † 8/2014 Kim D14/214
8,842,427 B2 † 9/2014 Yoshimura H01M 50/20
361/679.01
8,907,623 B2 † 12/2014 Saur H02J 50/40
320/108
8,929,579 B2 † 1/2015 Kalyuzhny H04R 3/00
381/334
8,936,258 B2 † 1/2015 Bar-Erez B25H 3/023
280/47.26
9,132,543 B2 † 9/2015 Bar-Erez B62B 1/04
D754,102 S * 4/2016 Sun D14/214
9,313,907 B2 † 4/2016 Heimerl H05K 5/03
9,566,990 B2 † 2/2017 Bar-Erez B62B 1/26
9,643,629 B2 † 5/2017 Bar-Erez A47B 47/00
D792,868 S † 7/2017 Shitrit D14/188
9,716,522 B2 † 7/2017 Yildirim H05K 5/006
9,834,337 B2 † 12/2017 Roehm B65D 25/10
D807,324 S † 1/2018 Cheney D14/214
D813,840 S * 3/2018 Rabinowitz D14/215
9,914,210 B1 † 3/2018 Liu B25H 1/16
10,021,480 B2 † 7/2018 Lobisser H04R 1/2888
D860,970 S * 9/2019 Chen D14/210
D881,834 S † 4/2020 Sabbag D14/188
D888,013 S * 6/2020 Yu D14/214
D889,433 S † 7/2020 Yu D14/214
D897,103 S † 9/2020 Brunner D3/294
D902,881 S † 11/2020 Takahashi D14/197
D903,637 S † 12/2020 Liu D14/214
D906,285 S † 12/2020 Miyake D14/214
D920,671 S † 6/2021 Brunner D3/294
D936,030 S * 11/2021 Lee D14/188
D951,223 S * 5/2022 Zeng D14/196
11,365,026 B2 * 6/2022 Brunner B65D 21/0209
D1,010,605 S * 1/2024 Bezner D14/204
2007/0138041 A1 † 6/2007 Welsh B25H 3/02
206/349
2008/0025544 A1 † 1/2008 Maldonado H04R 1/028
381/334
2013/0156251 A1 † 6/2013 Noble H04R 1/028
381/387
2013/0248390 A1 † 9/2013 Roehm B25H 3/02
206/216
2014/0001719 A1 † 1/2014 Bar-Erez B25H 3/028
280/47.18
2017/0125886 A1 † 5/2017 Stern H01Q 1/48
2017/0151972 A1 † 6/2017 Bar-Erez B62B 5/00
2017/0217464 A1 † 8/2017 Bar-Erez B62B 1/12
2017/0257958 A1 † 9/2017 Sabbag H04R 1/24

FOREIGN PATENT DOCUMENTS

DE 911582 † 5/1954
DE 10053853 † 5/2002
DE 10115020 † 10/2002
DE 102012220837 † 5/2014
EP 0 394 053 † 10/1990
JP WO 2014/188771 † 2/2017
WO WO 2012/071607 † 6/2012

* cited by examiner
† imported from a related application

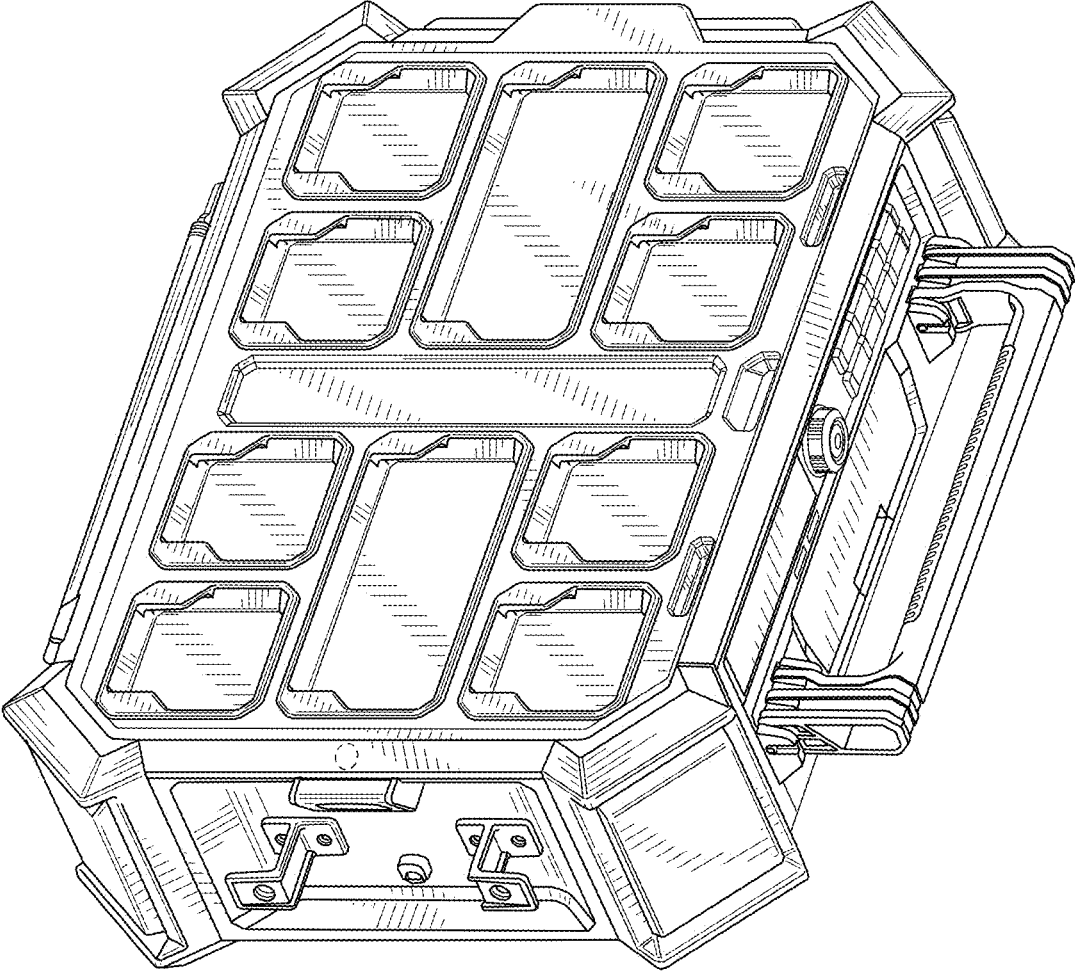


FIG. 1

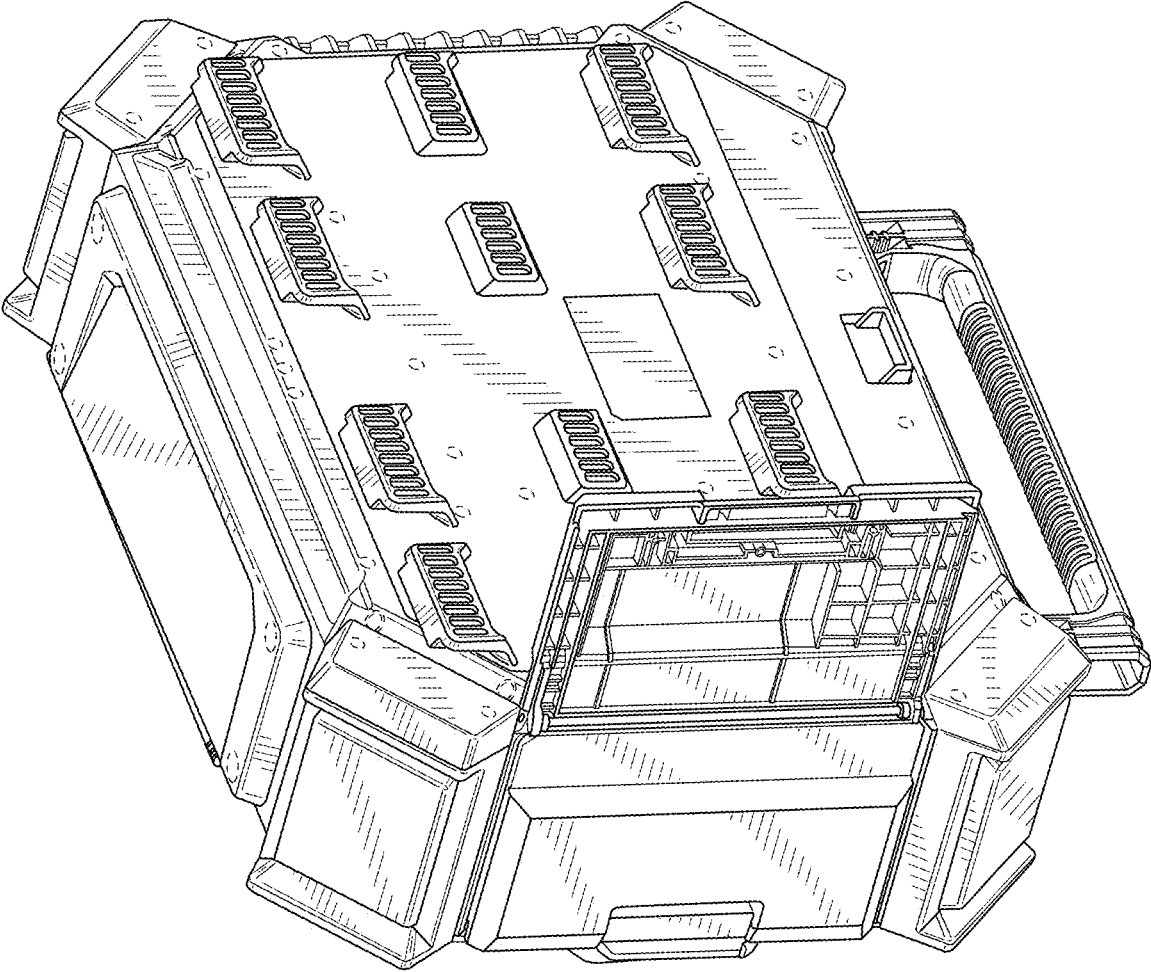


FIG. 2

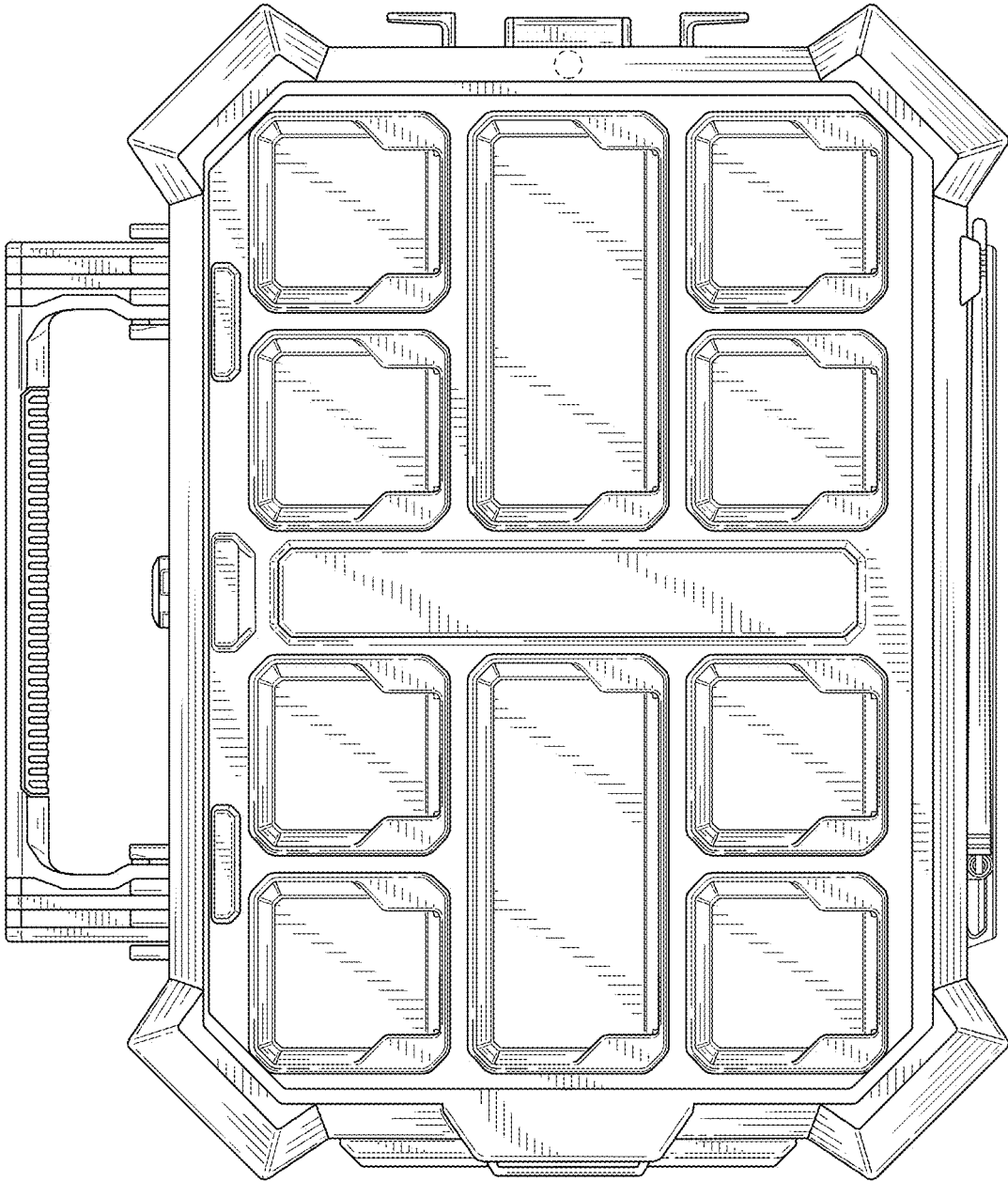


FIG. 3

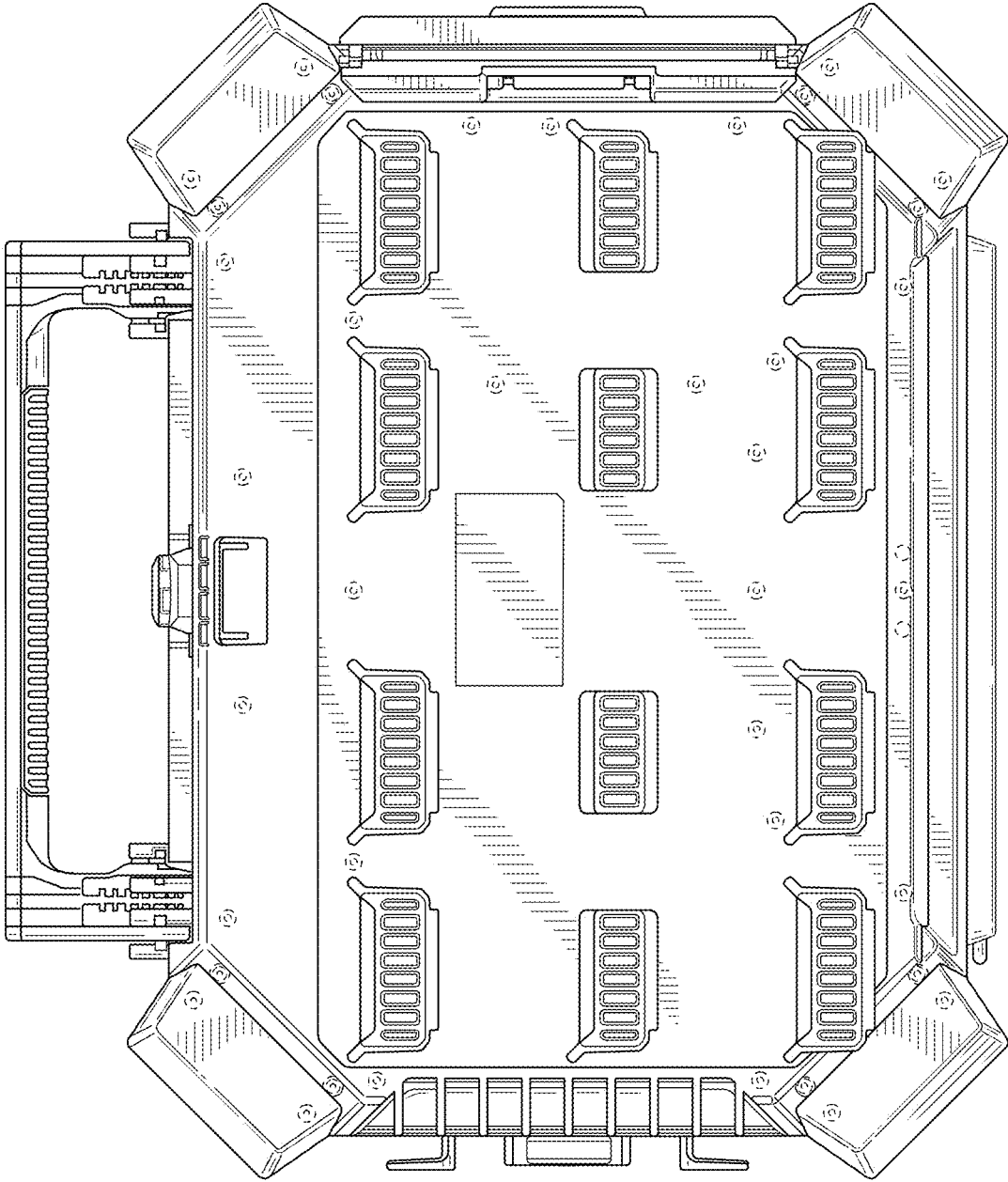


FIG. 4

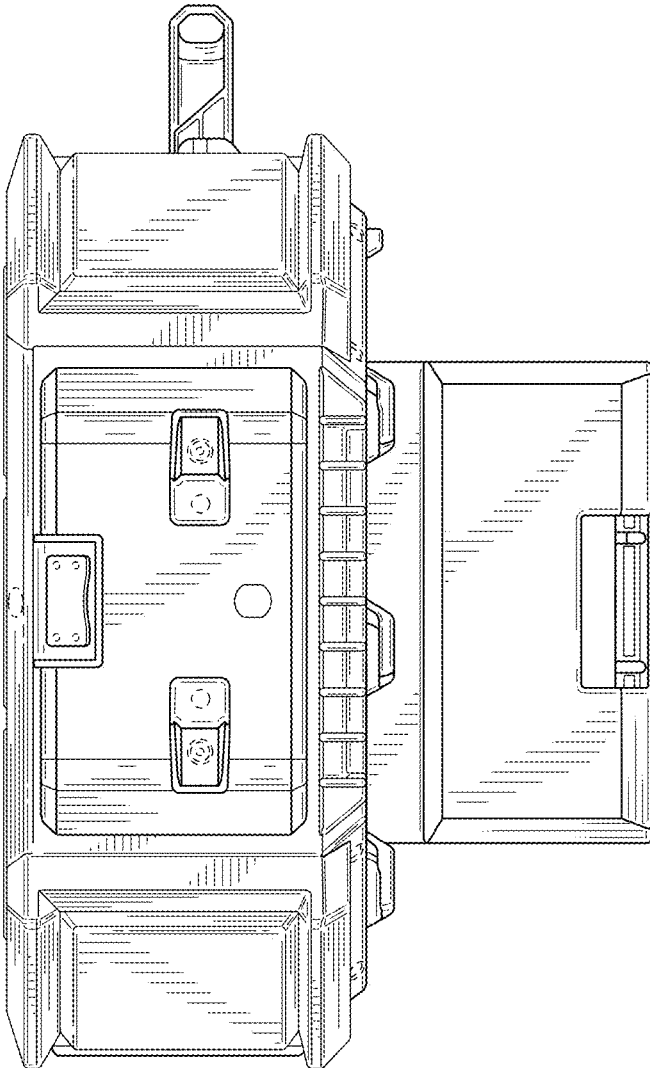


FIG. 5

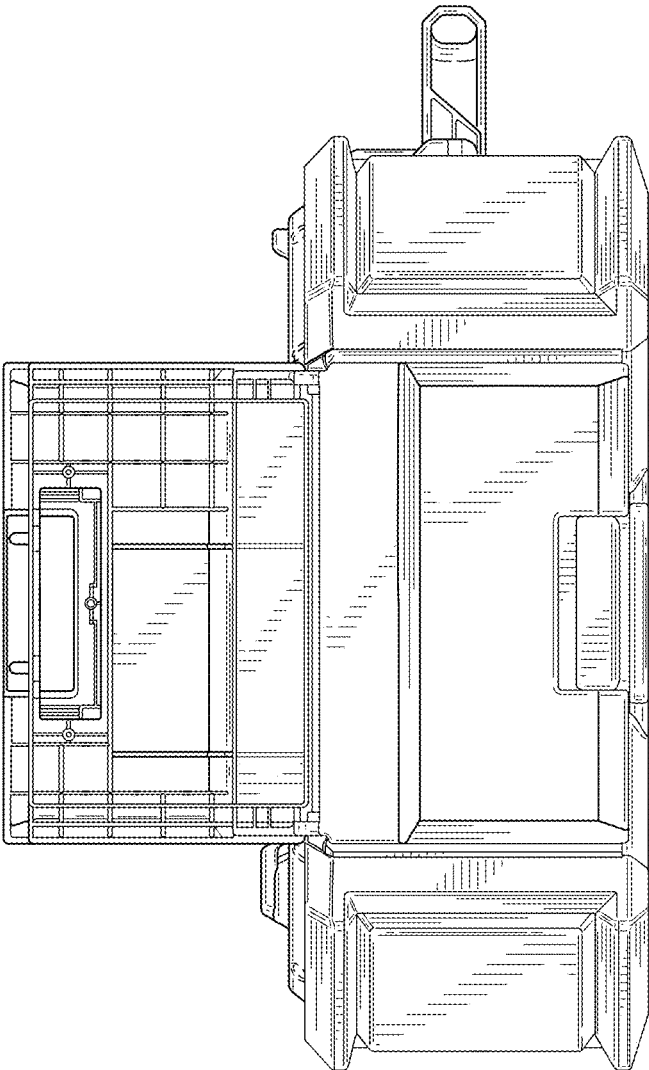


FIG. 6

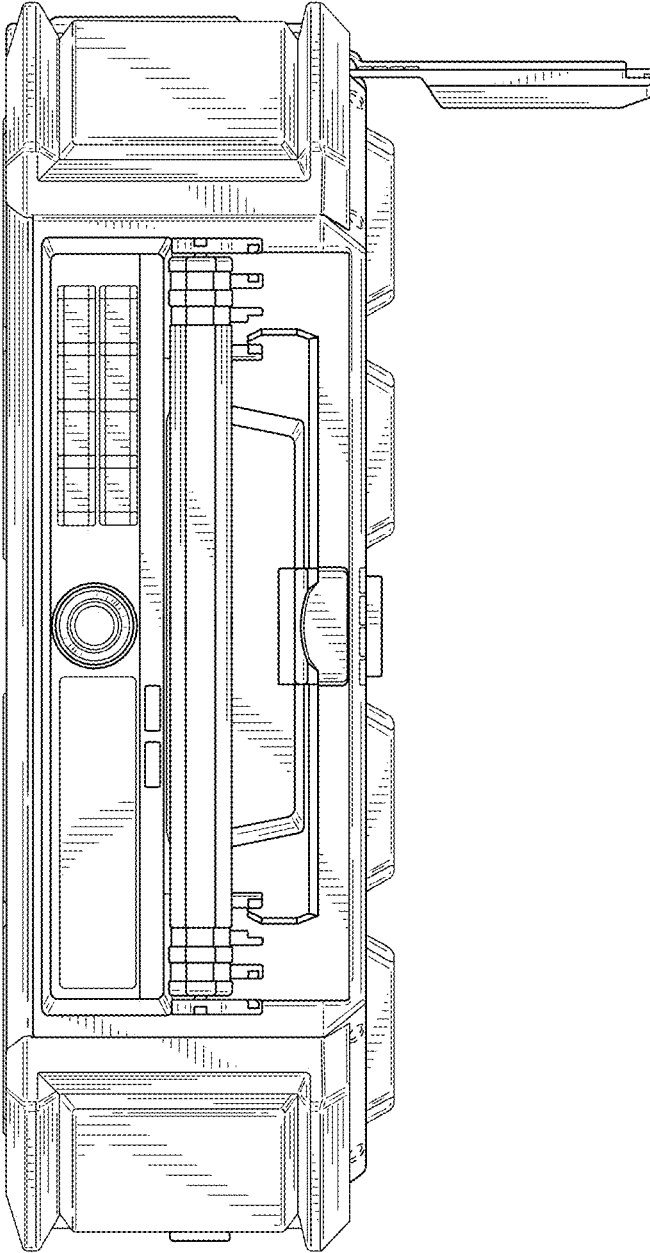


FIG. 7

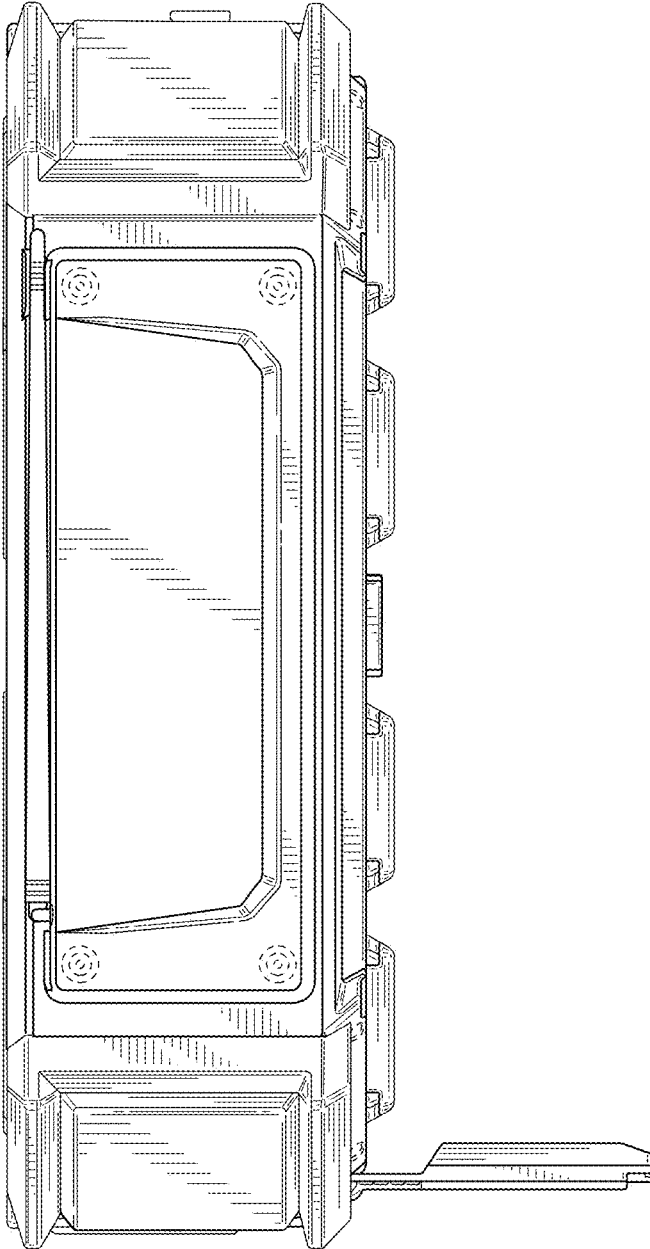


FIG. 8

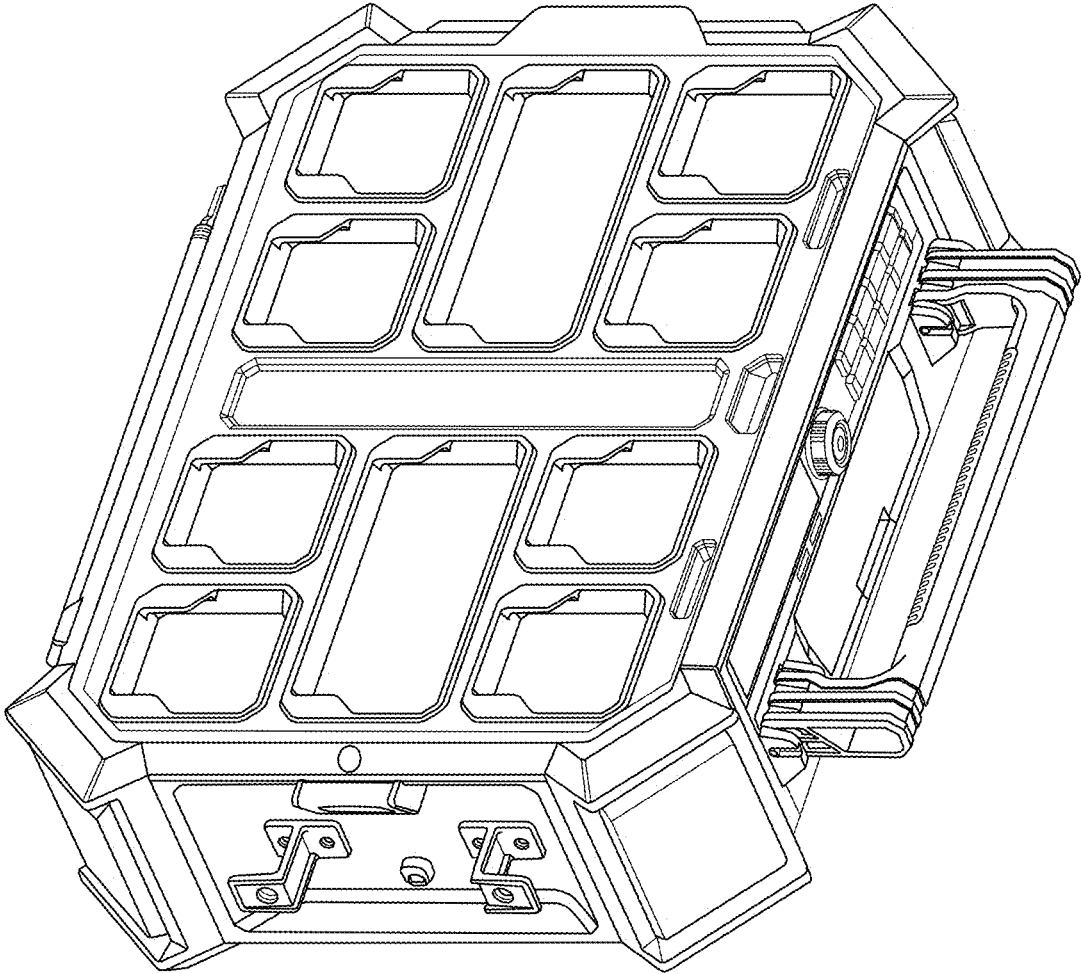


FIG. 9

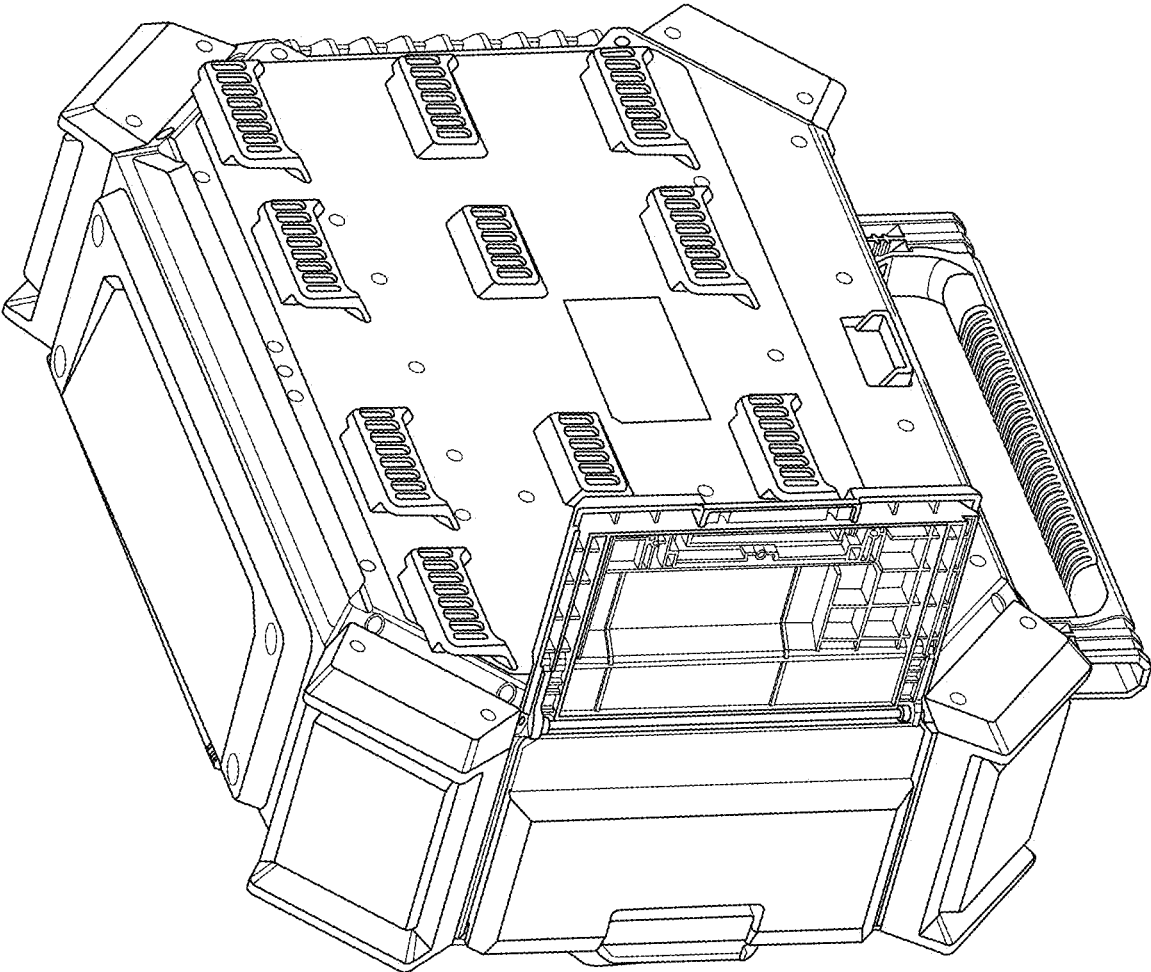


FIG. 10

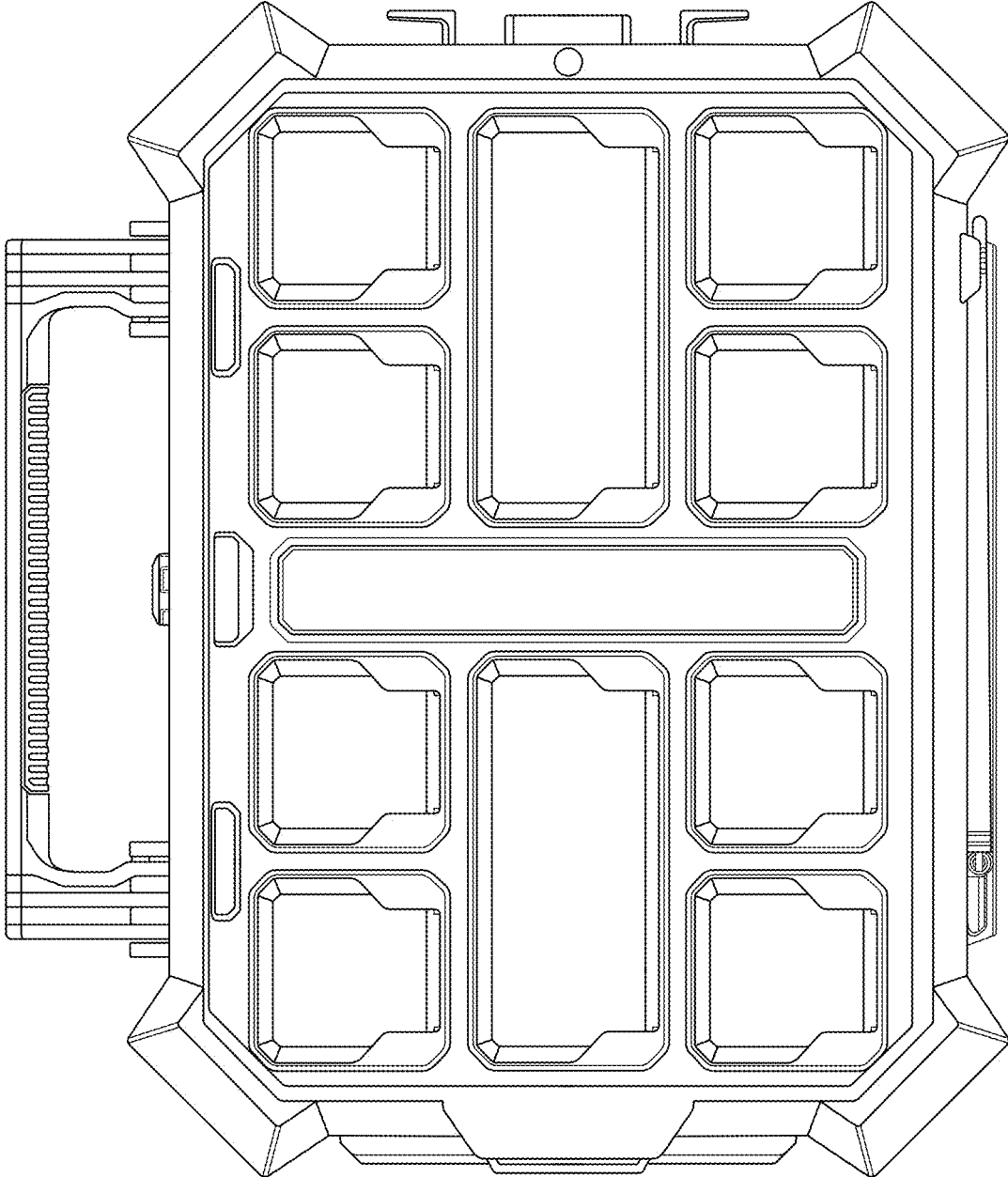


FIG. 11

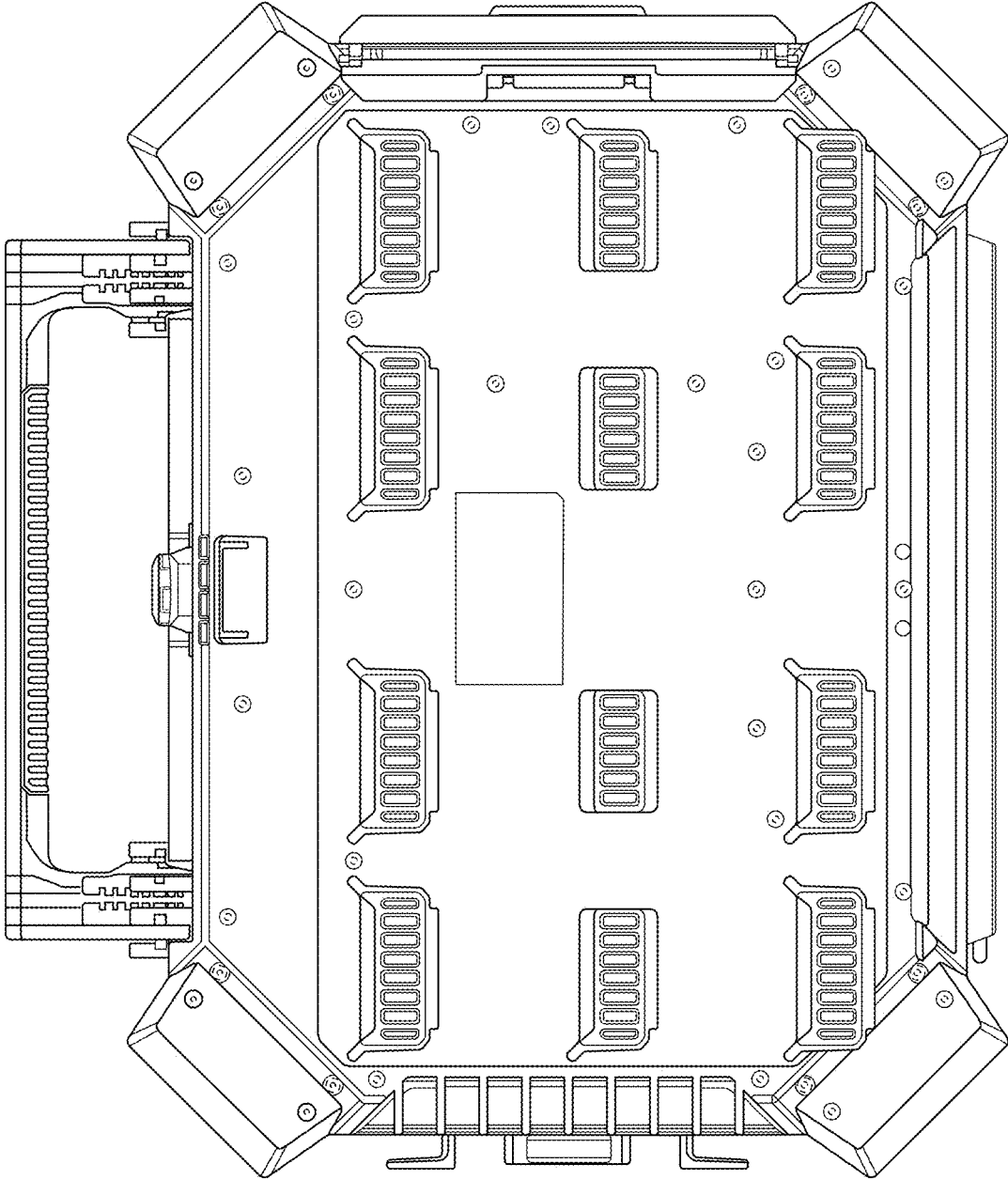


FIG. 12

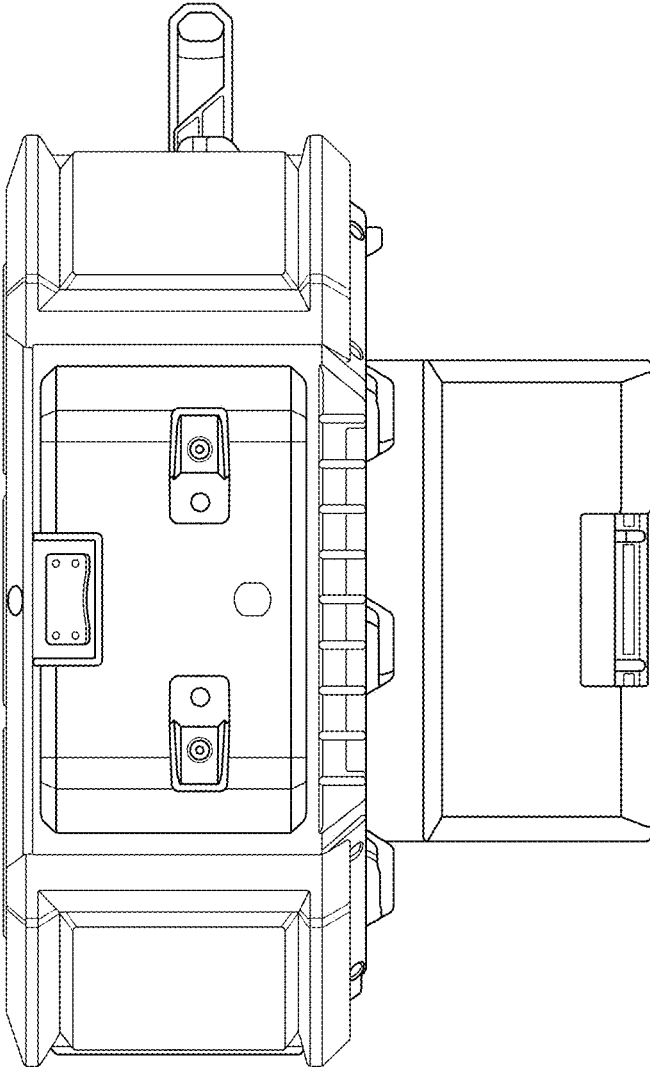


FIG. 13

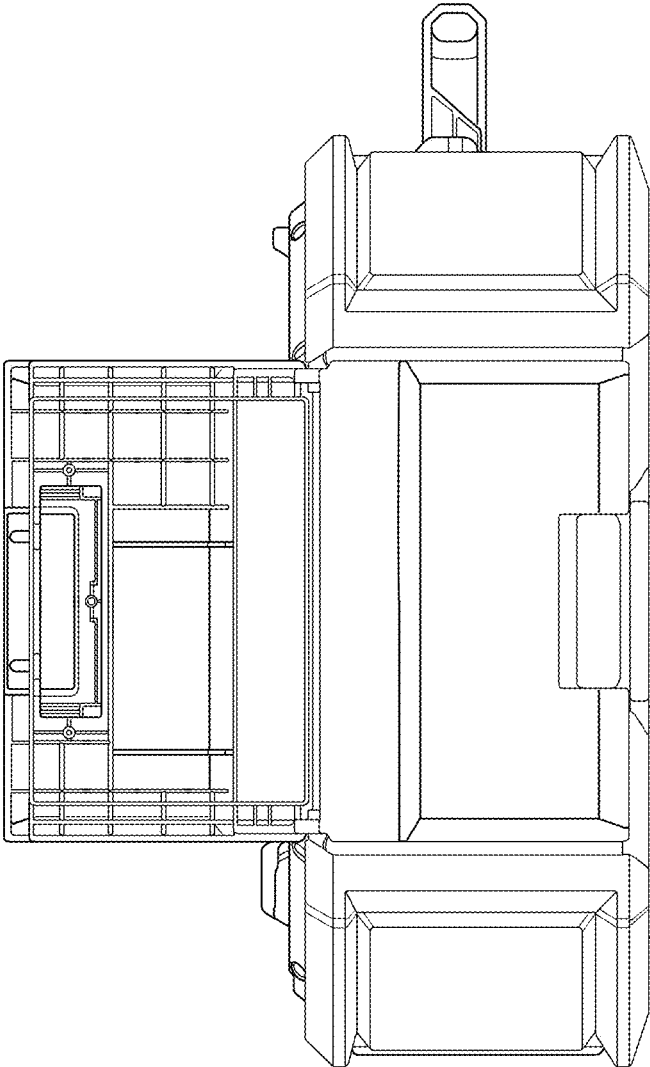


FIG. 14

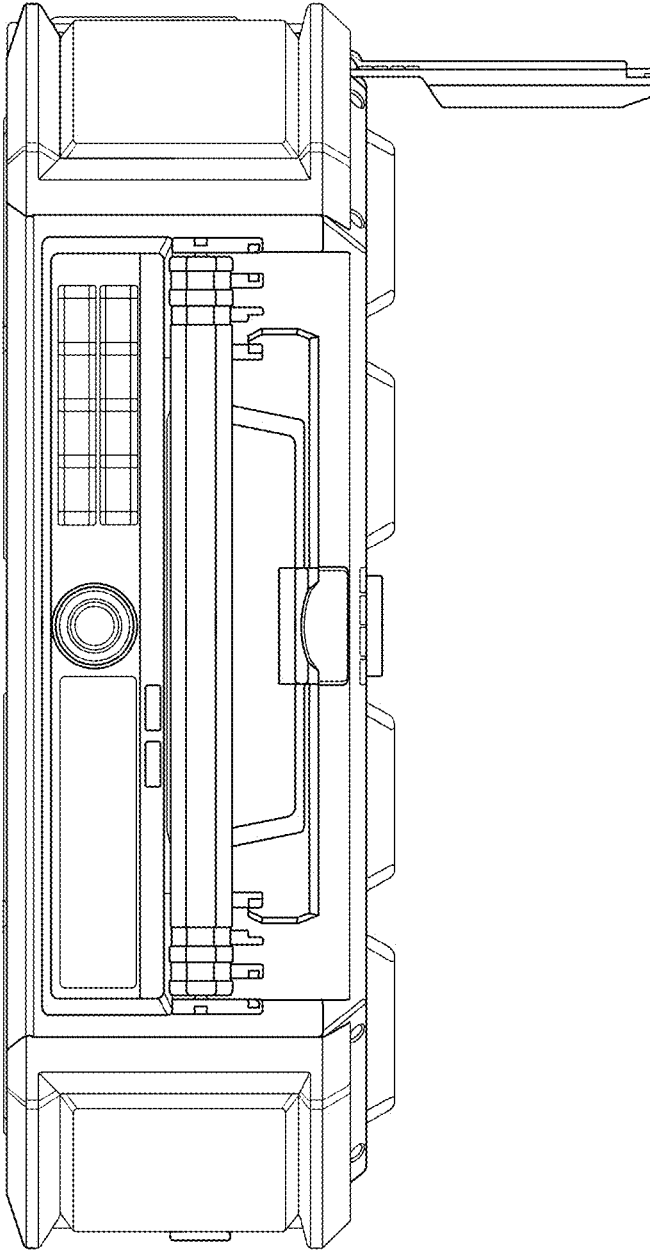


FIG. 15

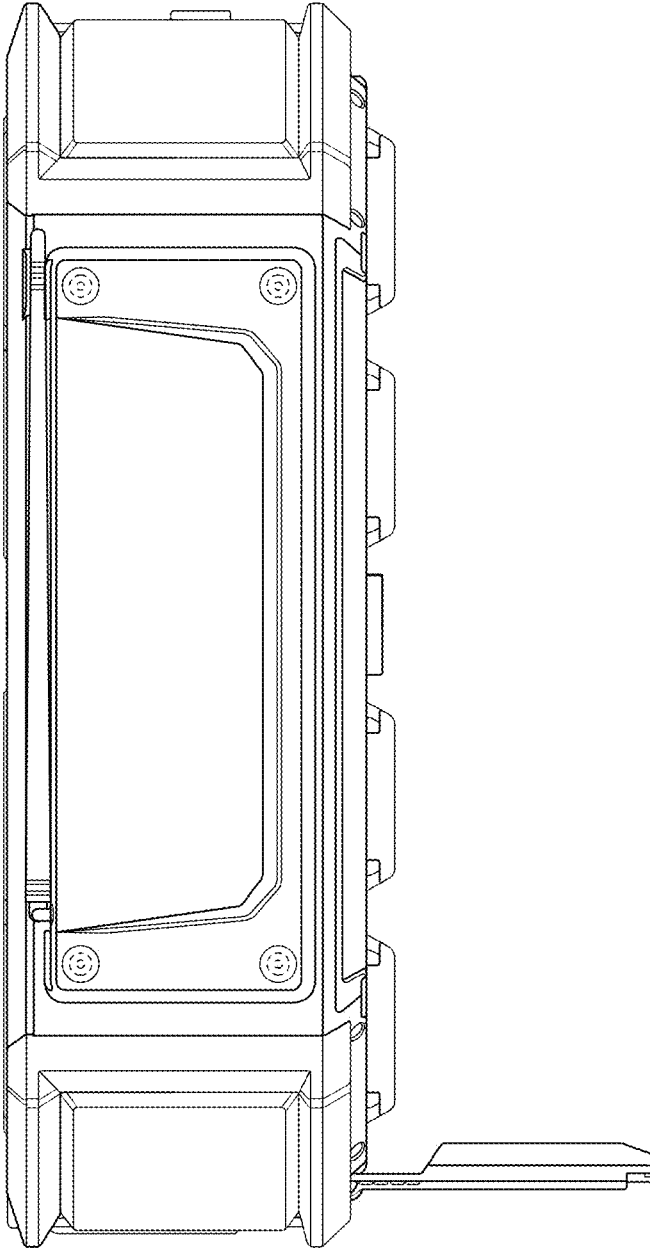


FIG. 16