

(19) World Intellectual Property Organization
International Bureau



(43) International Publication Date
12 February 2009 (12.02.2009)

(10) International Publication Number
WO 2009/019703 A3

(51) International Patent Classification:
A61B 1/267 (2006.01)

(21) International Application Number:
PCT/IL2008/001093

(22) International Filing Date:
7 August 2008 (07.08.2008)

(25) Filing Language: English

(26) Publication Language: English

(30) Priority Data:
185112 7 August 2007 (07.08.2007) IL

(71) Applicant (for all designated States except US):
TRUPHATEK INTERNATIONAL LTD [IL/IL]; Park
Poleg Industrial Park, POBox 8051, 42504 Netanya (IL).

(72) Inventor; and

(75) Inventor/Applicant (for US only): PECHERER, Eugene [IL/IL]; 14 Givatay Street, 42140 Netanya (IL).

(81) Designated States (unless otherwise indicated, for every kind of national protection available): AE, AG, AL, AM, AO, AT, AU, AZ, BA, BB, BG, BH, BR, BW, BY, BZ, CA, CH, CN, CO, CR, CU, CZ, DE, DK, DM, DO, DZ,

EC, EE, EG, ES, FI, GB, GD, GE, GH, GM, GT, HN, HR, HU, ID, IL, IN, IS, JP, KE, KG, KM, KN, KP, KR, KZ, LA, LC, LK, LR, LS, LT, LU, LY, MA, MD, ME, MG, MK, MN, MW, MX, MY, MZ, NA, NG, NI, NO, NZ, OM, PG, PH, PL, PT, RO, RS, RU, SC, SD, SE, SG, SK, SL, SM, ST, SV, SY, TJ, TM, TN, TR, TT, TZ, UA, UG, US, UZ, VC, VN, ZA, ZM, ZW.

(84) Designated States (unless otherwise indicated, for every kind of regional protection available): ARIPO (BW, GH, GM, KE, LS, MW, MZ, NA, SD, SL, SZ, TZ, UG, ZM, ZW), Eurasian (AM, AZ, BY, KG, KZ, MD, RU, TJ, TM), European (AT, BE, BG, CH, CY, CZ, DE, DK, EE, ES, FI, FR, GB, GR, HR, HU, IE, IS, IT, LT, LU, LV, MC, MT, NL, NO, PL, PT, RO, SE, SI, SK, TR), OAPI (BF, BJ, CF, CG, CI, CM, GA, GN, GQ, GW, ML, MR, NE, SN, TD, TG).

Published:

— with international search report (Art. 21(3))

(88) Date of publication of the international search report:
4 March 2010

(54) Title: LARYNGOSCOPE APPARATUS WITH ENHANCED VIEWING CAPABILITY

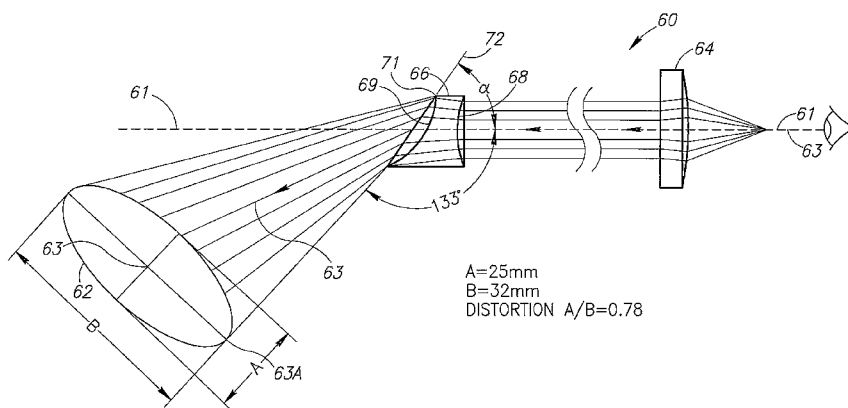


FIG. 5

(57) Abstract: Laryngoscope apparatus including a curved laryngoscope blade and an optical system for affording a field of view along a deflected line of sight for reducing patient manipulation and/or the degree of force required to achieve a good glottic view.



WO 2009/019703 A3

INTERNATIONAL SEARCH REPORT

International application No.

PCT/IL 08/01093

A. CLASSIFICATION OF SUBJECT MATTER IPC(8) - A61B 1/267 USPC - 600/188 According to International Patent Classification (IPC) or to both national classification and IPC		
B. FIELDS SEARCHED		
Minimum documentation searched (classification system followed by classification symbols) USPC - 600/188		
Documentation searched other than minimum documentation to the extent that such documents are included in the fields searched USPC - 600/184,185,189,190,194,197		
Electronic data base consulted during the international search (name of data base and, where practicable, search terms used) PubWEST(USPT,PGPB,EPAB,JPAB); Google; Google Scholar Search Terms Used: concave, convex, distortion cupped, dip, bowl, prism, axis, angle, magnification, eyepiece, lens, view, sight		
C. DOCUMENTS CONSIDERED TO BE RELEVANT		
Category*	Citation of document, with indication, where appropriate, of the relevant passages	Relevant to claim No.
Y	US 5,873,818 A (Rothfels) 23 February 1999 (23.2.1999), Col 1 ln 39-41, Col 2, ln 19-21, Col 2, 49-62, Col 2, 65-67 Col 3 ln 9-11, Fig 2-5	1-7
Y	US 6,508,759 B1 (Taylor et al) 21 January 2003 (21.1.2003). Col 14, ln 19-25, Col 14, 51-53, Fig 17, 17A	1-7
Y	US 3,874,371 A (Stader et al) 01 April 1975 (01.04.1975), Col 5, ln 4-5	2-7
Y	US RE37,861 E (Schneider) 24 September 2002 (24.09.2002) Col 3, ln 54-58	7
<input type="checkbox"/> Further documents are listed in the continuation of Box C. <input type="checkbox"/>		
<p>* Special categories of cited documents:</p> <p>"A" document defining the general state of the art which is not considered to be of particular relevance</p> <p>"E" earlier application or patent but published on or after the international filing date</p> <p>"L" document which may throw doubts on priority claim(s) or which is cited to establish the publication date of another citation or other special reason (as specified)</p> <p>"O" document referring to an oral disclosure, use, exhibition or other means</p> <p>"P" document published prior to the international filing date but later than the priority date claimed</p> <p>"T" later document published after the international filing date or priority date and not in conflict with the application but cited to understand the principle or theory underlying the invention</p> <p>"X" document of particular relevance; the claimed invention cannot be considered novel or cannot be considered to involve an inventive step when the document is taken alone</p> <p>"Y" document of particular relevance; the claimed invention cannot be considered to involve an inventive step when the document is combined with one or more other such documents, such combination being obvious to a person skilled in the art</p> <p>"&" document member of the same patent family</p>		
Date of the actual completion of the international search 25 October 2008 [25.10.2008]		Date of mailing of the international search report 13 NOV 2008
Name and mailing address of the ISA/US Mail Stop PCT, Attn: ISA/US, Commissioner for Patents P.O. Box 1450, Alexandria, Virginia 22313-1450 Facsimile No. 571-273-3201		Authorized officer: Lee W. Young PCT Helpdesk: 571-272-4300 PCT OSP: 571-272-7774