



US00D954244S

(12) **United States Design Patent**
Lee

(10) **Patent No.:** **US D954,244 S**

(45) **Date of Patent:** **** Jun. 7, 2022**

- (54) **AROMA DIFFUSER**
- (71) Applicant: **PUZHEN LIFE CO., LTD**, Hong Kong (HK)
- (72) Inventor: **Andy Lee**, Hong Kong (HK)
- (73) Assignee: **PUZHEN LIFE CO., LTD**, Hong Kong (HK)
- (**) Term: **15 Years**
- (21) Appl. No.: **29/721,370**
- (22) Filed: **Jan. 20, 2020**
- (51) **LOC (13) Cl.** **23-04**
- (52) **U.S. Cl.**
USPC **D23/366**
- (58) **Field of Classification Search**
USPC D23/209, 355, 356, 358, 359, 360, 364,
D23/365, 366, 367
CPC . A61L 9/03; A61L 9/012; A61L 9/015; A61L
9/037
See application file for complete search history.

D906,280 S *	12/2020	Matarese	D14/204
D914,662 S *	3/2021	Unter Ecker	D14/240
D925,720 S *	7/2021	Lee	D23/366
D930,807 S *	9/2021	Lee	D23/366
2019/0000064 A1*	1/2019	Luque Vera	A61L 9/012
2019/0001096 A1*	1/2019	Pratt, Jr.	A61M 16/1075
2021/0180827 A1*	6/2021	Lee	B01D 29/0018

OTHER PUBLICATIONS

Smiley Daisy—The HibiscusEssential Oil Diffuser [Dec. 29, 2021] found online [Dec. 29, 2021]—<https://store.smileydaisy.com/products/essential-oil-diffuser-by-smiley-daisy>.*

* cited by examiner

Primary Examiner — John A Voytek

(57) **CLAIM**

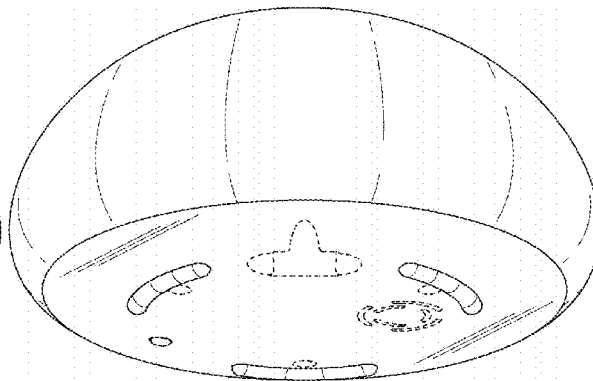
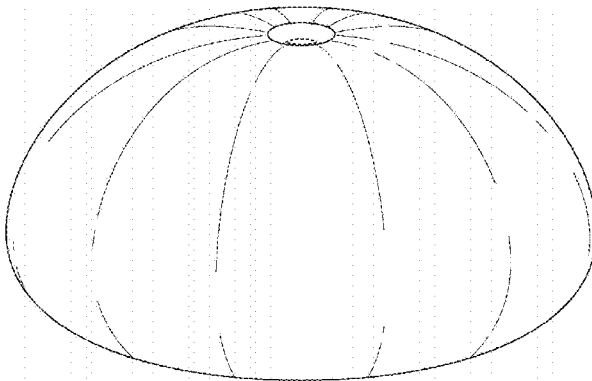
The ornamental design for an aroma diffuser, as shown and described.

DESCRIPTION

FIG. 1 is a front elevational view of an aroma diffuser showing my new design;
 FIG. 2 is a rear elevational view thereof;
 FIG. 3 is a left side view thereof;
 FIG. 4 is a right side view thereof;
 FIG. 5 is a top plan view thereof;
 FIG. 6 is a bottom plan view thereof;
 FIG. 7 is a top perspective view thereof; and,
 FIG. 8 is a bottom perspective view thereof.
 The broken lines in the drawings illustrate portions of the aroma diffuser which form no part of the claimed design.

1 Claim, 8 Drawing Sheets

- (56) **References Cited**
U.S. PATENT DOCUMENTS
- | | | | |
|--------------|---------|----------------|---------|
| D731,334 S * | 6/2015 | Fiedler | D10/70 |
| D752,807 S * | 3/2016 | Young | D27/163 |
| D847,324 S * | 4/2019 | Zuo | D23/366 |
| D873,399 S * | 1/2020 | Nykowski | D23/364 |
| D882,747 S * | 4/2020 | Li | D23/366 |
| D884,614 S * | 5/2020 | Natsume | D13/108 |
| D886,767 S * | 6/2020 | Matarese | D14/204 |
| D898,024 S * | 10/2020 | Lai | D14/371 |



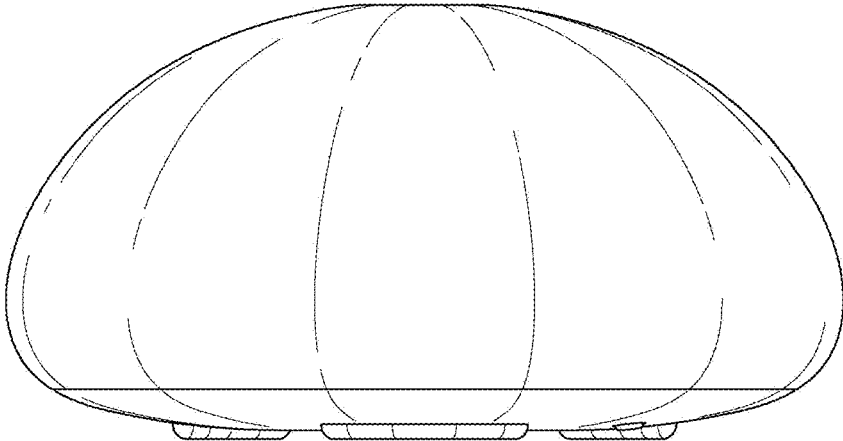


Fig. 1

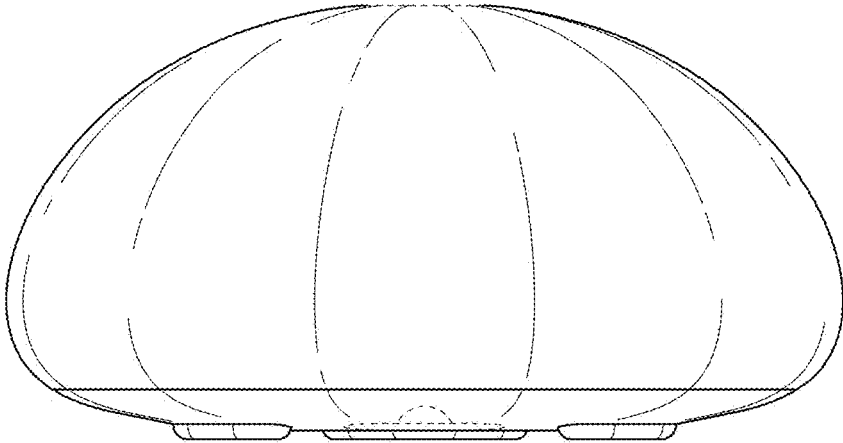


Fig. 2

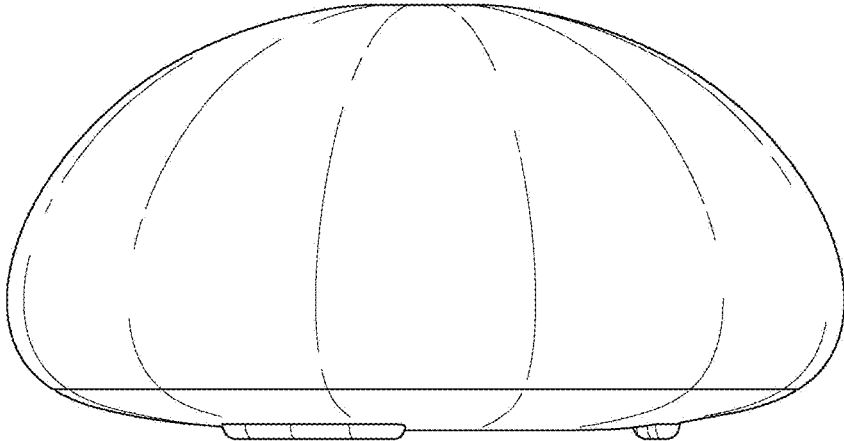


Fig. 3

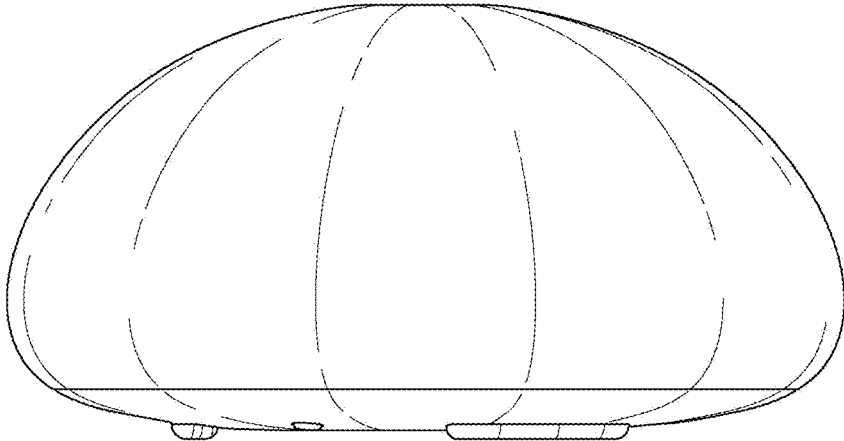


Fig. 4

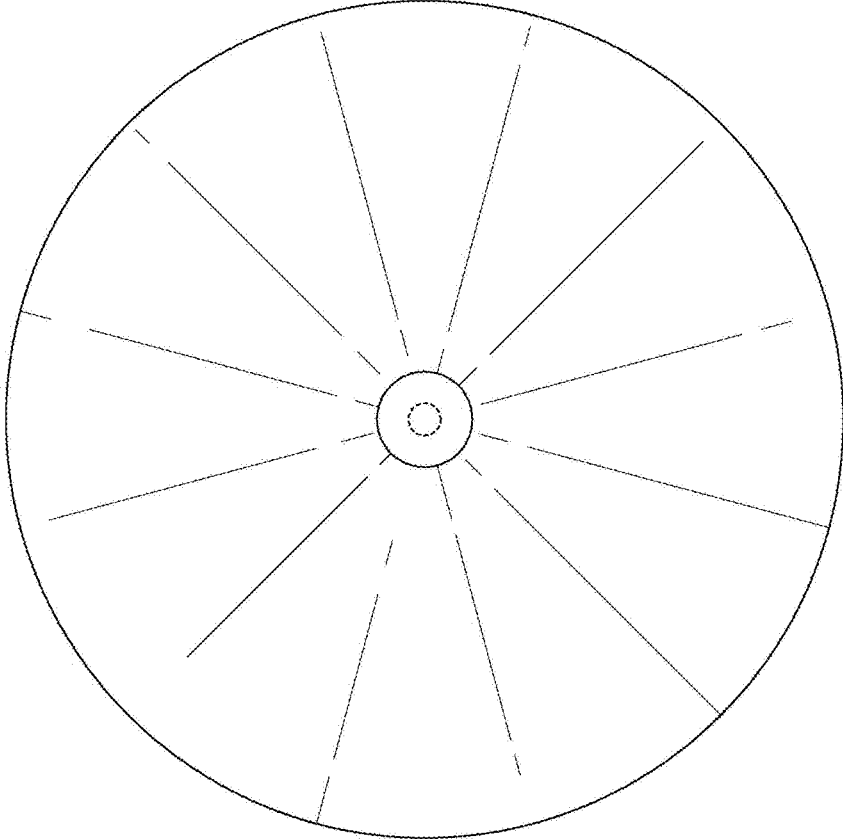


Fig. 5

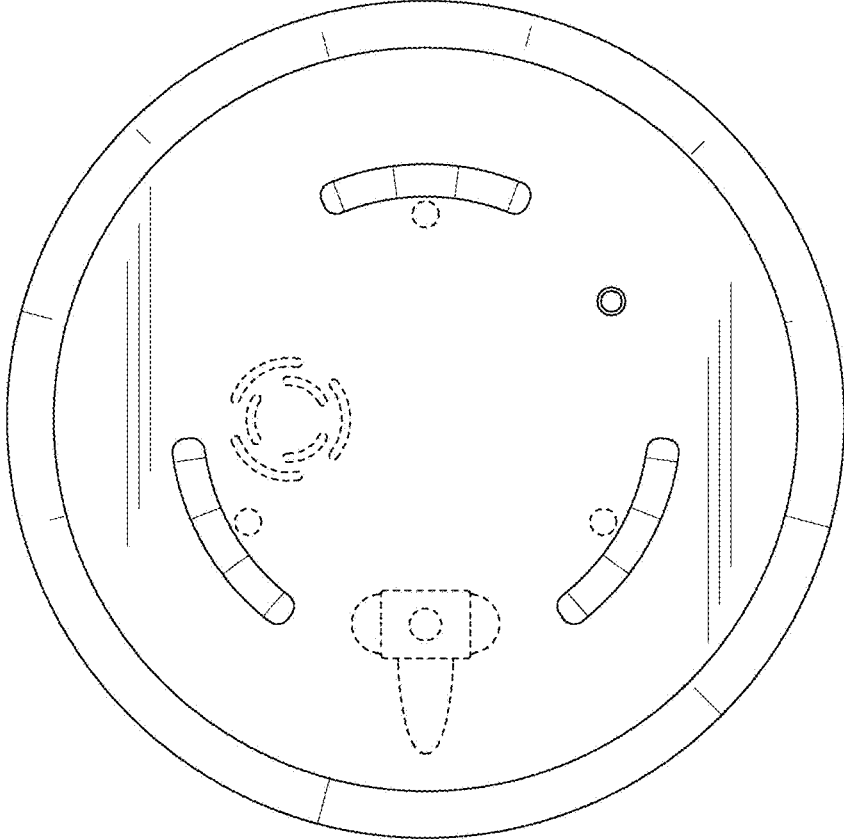


Fig. 6

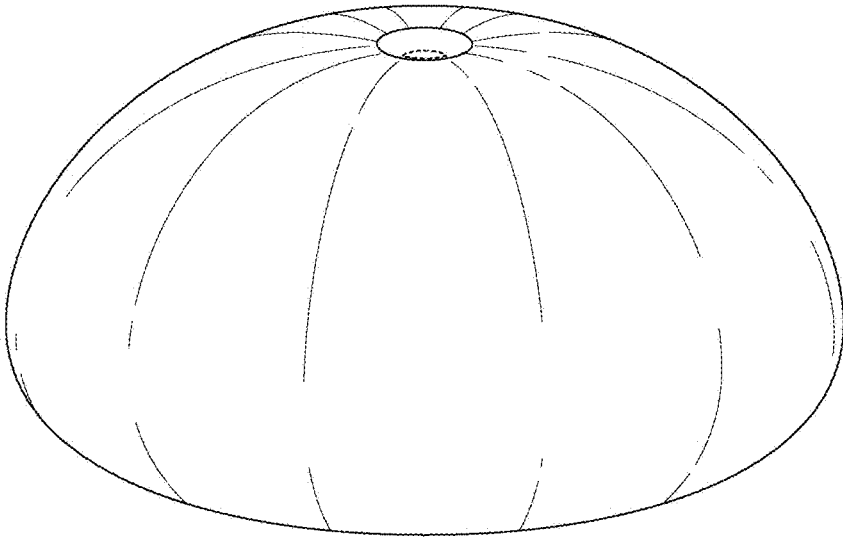


Fig. 7

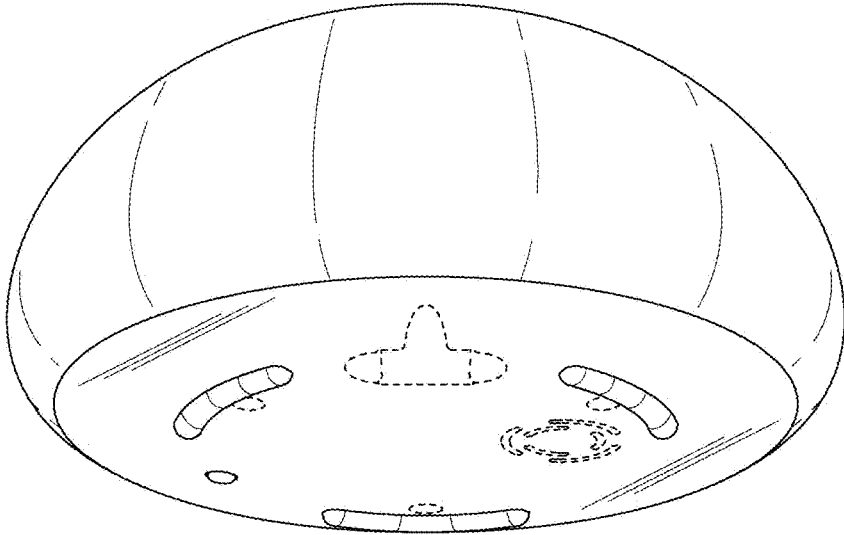


Fig. 8